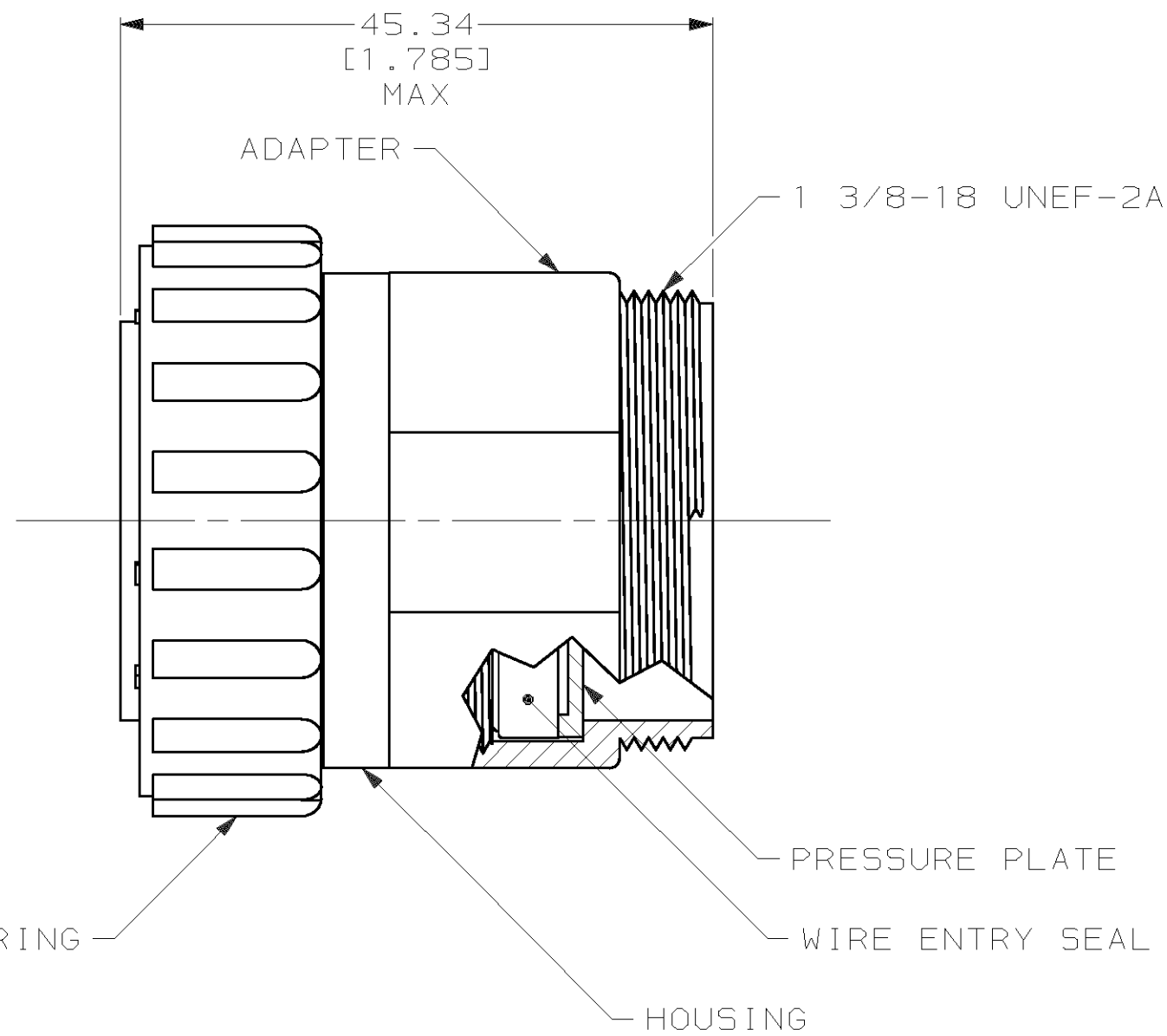
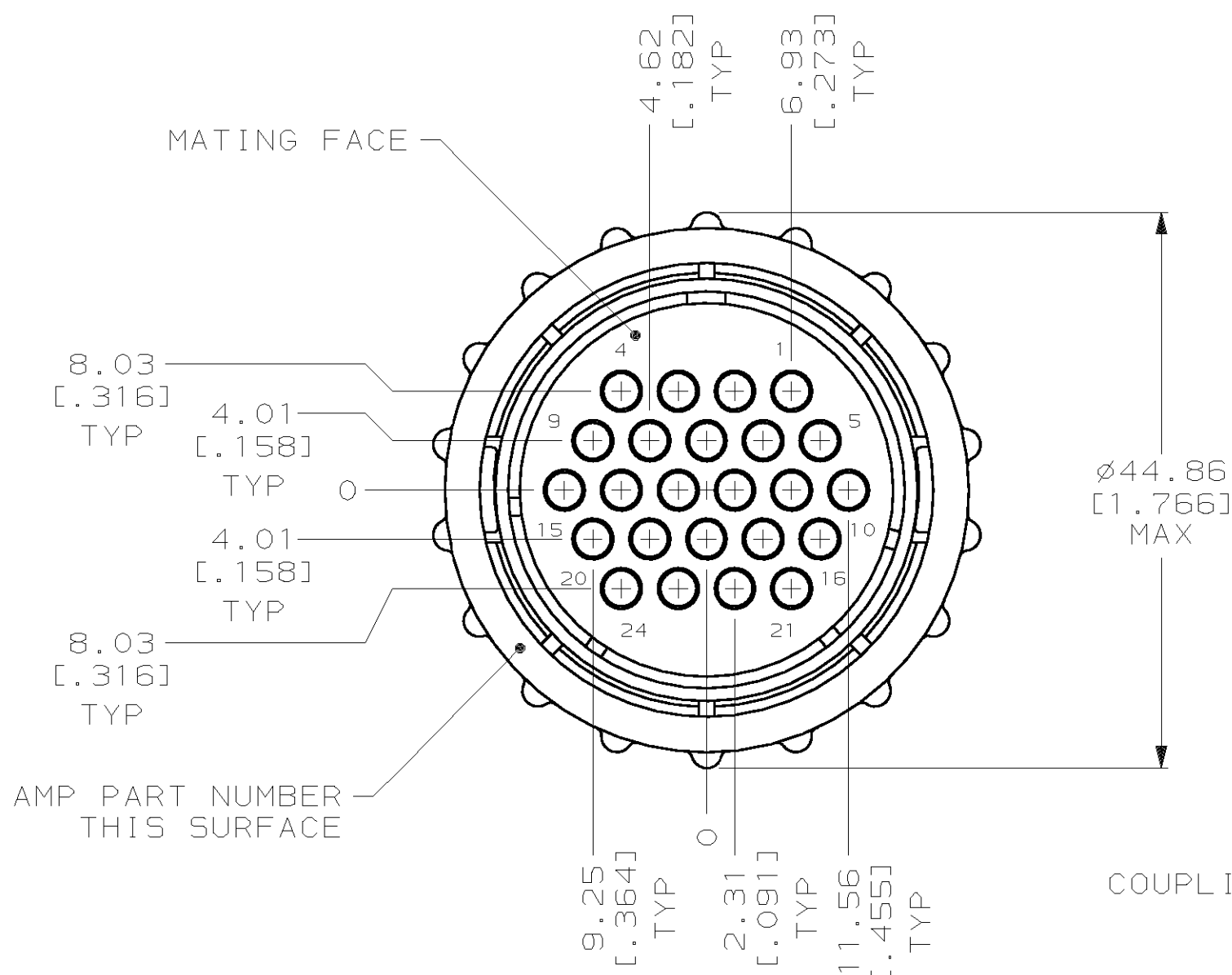


LOC	DIST	REVISIONS			
P	LTR	DESCRIPTION	DATE	DWN	APVD
FT	0	A	REVISE PER ECN 063B-0348-00	14AUG00	SU HS



796188-1  
 PART NUMBER

- 1 HOUSING, ADAPTER AND PRESSURE PLATE: NYLON, BLACK. COUPLING RING: POLYESTER, BLACK. WIRE ENTRY SEAL: ELASTOMER, RED-IRON OXIDE.
- 2. CONNECTOR WILL ACCEPT (24) MULTIMATE SOCKET CONTACTS.

THIS DRAWING IS A CONTROLLED DOCUMENT.		DWN C. DORWART 13 JUL 98	<b>AMP</b> AMP Incorporated Harrisburg, PA 17105-3608
DIMENSIONS: mm [INCHES]		CHK K. DOWHOWER 10 AUG 99	
TOLERANCES UNLESS OTHERWISE SPECIFIED:		APVD K. DOWHOWER 10 AUG 99	NAME PLUG ASSEMBLY, STANDARD SEX, SIZE 23-24, SEALED CPC
0 PLC ±-		PRODUCT SPEC 108-1579	SIZE A3
1 PLC ±-		APPLICATION SPEC -	CAGE CODE 00779
2 PLC ±0.13 [.005]		WEIGHT -	DRAWING NO C- 796188
3 PLC ±-		CUSTOMER DRAWING	RESTRICTED TO -
4 PLC ±-		SCALE 2:1	SHEET 1 OF 1
ANGLES ±-			REV A
FINISH -			