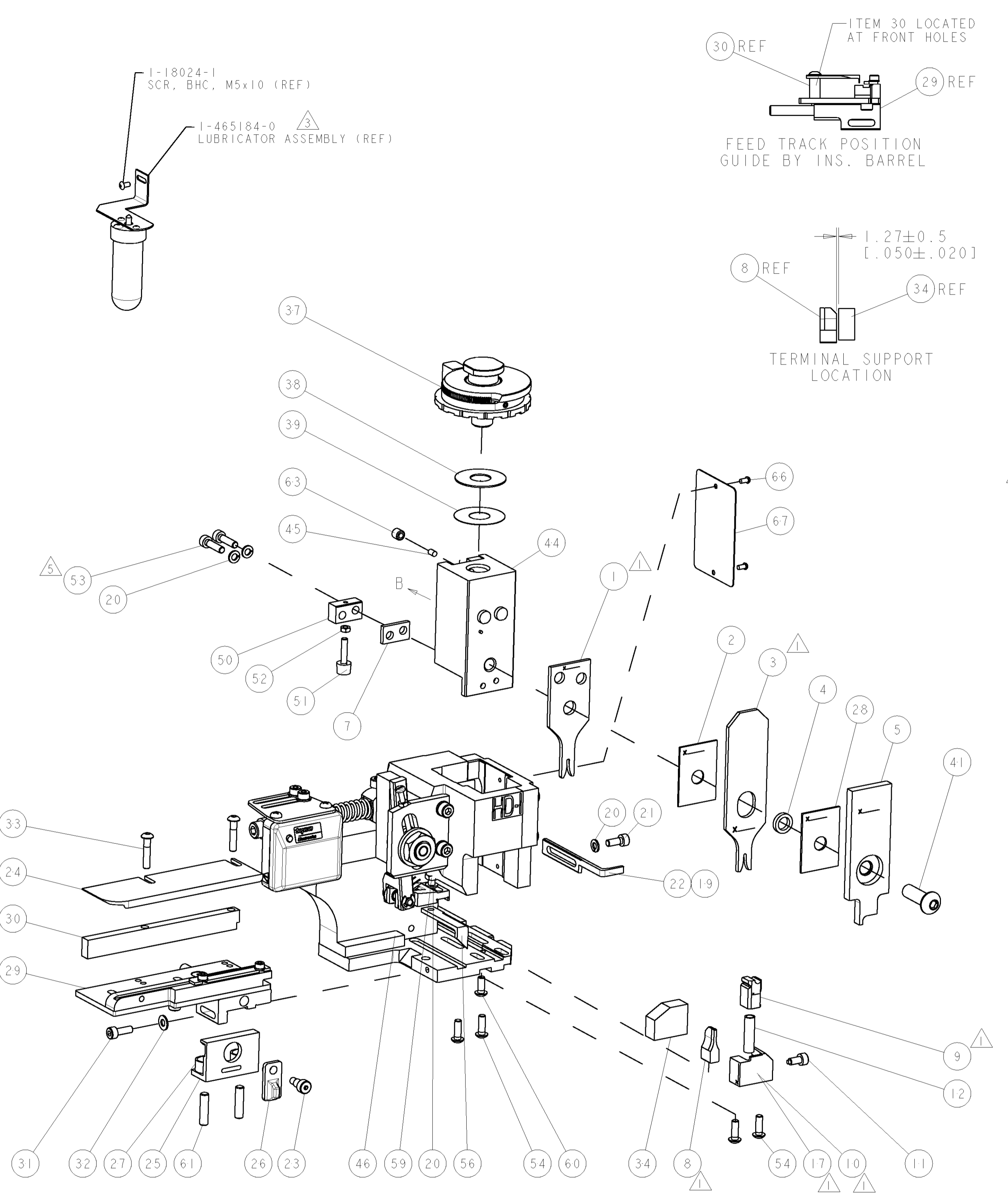
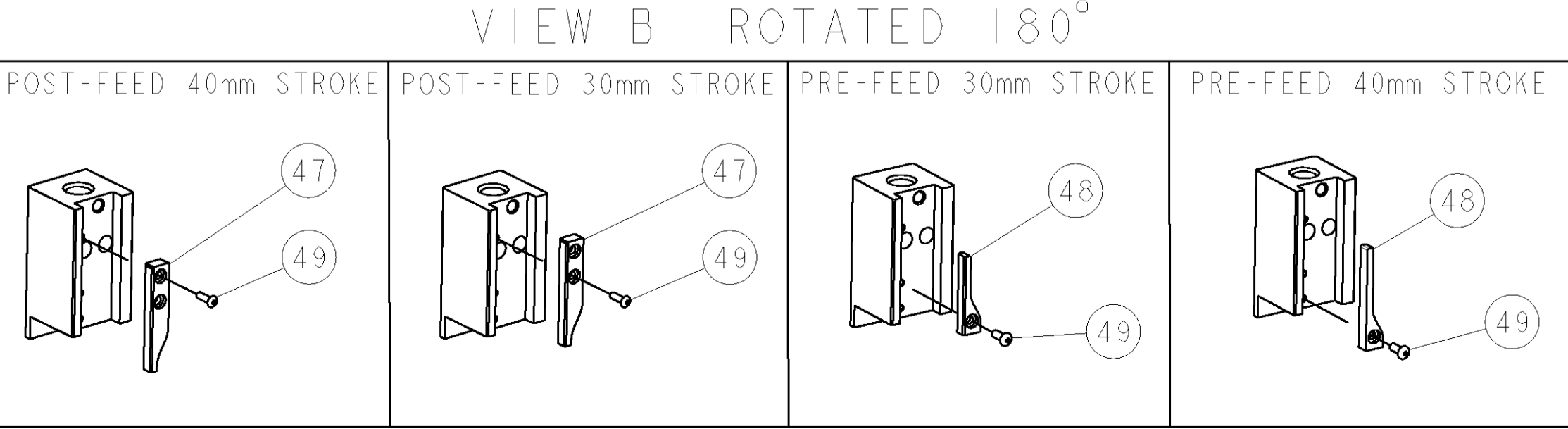


PART NUMBER	REV	TERMINATOR	FEED TYPE	DESCRIPTION
1528816-1	A	LEADMAKER	MECH POST FEED	CUTS CARRIER
1528816-2	A	BENCH	MECH PRE FEED	CUTS CARRIER
1528816-6	A	LEADMAKER	MECH POST FEED	CONTINUOUS CARRIER
7-1528816-1	A	LEADMAKER	MECH POST FEED	-1 AND SPARE PARTS
7-1528816-2	A	BENCH	MECH PRE FEED	-2 AND SPARE PARTS
7-1528816-6	A	LEADMAKER	MECH POST FEED	-6 AND SPARE PARTS
7-1528816-7	A	-	-	SPARE PARTS KIT

CRIMP DATA	KOSTAL TERMINAL	KOSTAL CRIMP SPECS
TERMINAL NAME: KOSTAL MLK 1.2 RECEPTACLE		
CRIMP	SIZE	TYPE
WIRE	1.40 [1.055 IN]	F
INSUL	1.78 [1.070 IN]	O
RANGE 0.35mm ² -0.50mm ²		
APPL INSTRUCTIONS 408-8322 & 408-8490		
TERMINAL APPL SPEC MLK 1.2m		FEED 8.00 [3.15 IN]
TERMINALS APPLIED		
TE TERM PN	KOSTAL TERM PN	KOSTAL TERM PN
1949380-1	3 21 24 73406 0	1949957-1 3 21 24 73401 0
1949380-2	3 21 25 73406 0	1949957-2 3 21 25 73401 0
1949380-3	3 21 40 73406 0	1949957-3 3 21 40 73401 0
WIRE SIZE	CRIMP HEIGHT	REF SETTING
0.50mm ²	0.92 ± 0.03 [0.036 ± 0.001 IN]	C2
0.35mm ²	0.82 ± 0.03 [0.032 ± 0.001 IN]	C7

- △ RECOMMENDED SPARE PARTS.
- 2. GREASE RAM, CAM, CAM FOLLOWER AND FEED ROD LIGHTLY.
- △ CERTAIN TERMINALS REQUIRE LUBRICATION. REFER TO THE APPLICATOR INSTRUCTION SHEET FOR MORE INFORMATION.
- 4. LUBRICATE DAILY PER THE APPLICATOR INSTRUCTION SHEET SUPPLIED WITH THE APPLICATOR.
- △ ITEM 53, CUT TO LENGTH AT ASSEMBLY.

* WARNING
ON INSTALLATION, SET WIRE DISC TO LARGEST WIRE SIZE SETTING. USE OF SETTINGS BELOW MIN. REQUIRED CRIMP HEIGHT SETTING WILL CAUSE DAMAGE TO CRIMP TOOLING.



SET UP GAGE 458637-3		LOC	DIST	REVISONS			
P	LTR	DESCRIPTION	DATE	OWN	APVD		
A1	ECR-09-012292		01JUN2009	RK	GB		
-	-	-	-	-	-	-	73
-	-	-	-	-	-	-	72
-	1	1	1	1	1	1	1338705-3 DOCUMENTATION PACKAGE
-	-	-	-	-	-	-	70
-	-	-	-	-	-	-	69
-	-	-	-	-	-	-	68
-	1	1	1	1	1	1	461264-5 PLATE, IDENTIFICATION
-	2	2	2	2	2	2	21017-2 SCREW, DRIVE
-	-	-	-	-	-	-	65
-	-	-	-	-	-	-	64
-	1	1	1	1	1	1	3-18031-0 SCR, SET, CUP POINT M6 X 6.0
-	-	-	-	-	-	-	62
-	2	2	2	2	2	2	2-18032-5 SCR, SET, FLT POINT M5 X 20.0
-	1	1	1	1	1	1	18024-7 SCR, BTN SKT HD CAP (M4 X 10.0)
-	1	1	1	1	1	1	5-18022-2 SCR, HEX HD CAP M4 X 8.0
-	-	-	-	-	-	-	58
-	-	-	-	-	-	-	57
-	1	1	1	1	1	1	1338685-1 PAWL, FEED
-	-	-	-	-	-	-	55
-	4	4	4	4	4	4	18024-8 SCR, BTN SKT HD CAP (M4 X 12.0)
-	2	2	2	2	2	2	1-18023-3 SCR, SKT HD CAP M4 X 16.0
-	1	1	1	1	1	1	18030-1 NUT, HEX, REG M3
-	1	1	1	1	1	1	811242-5 BUMPER, HOLD DOWN
-	1	1	1	1	1	1	690753-2 SPACER, TONKER
-	1	1	1	1	1	1	18024-3 SCR, BTN SKT HD CAP (M3 X 10.0)
-	1	1	1	1	1	1	1338675-1 CAM, UNIVERSAL PRE FEED
-	1	1	1	1	1	1	1338676-1 CAM, UNIVERSAL POST-FEED
-	1	1	1	1	1	1	1320999-3 APPLICATOR SUBASSEMBLY, HDI
-	1	1	1	1	1	1	690191-1 PLUG, NYLON
-	1	1	1	1	1	1	1338660-1 RAM
-	-	-	-	-	-	-	43
-	-	-	-	-	-	-	42
-	1	1	1	1	1	1	2-18024-6 SCR, BTN SKT HD CAP (M8 X 25.0)
-	-	-	-	-	-	-	40
-	1	1	1	1	1	1	690125-1 SHIM SUB-ASSY
-	1	1	1	1	1	1	469367-8 SHIM
-	1	1	1	1	1	1	879103-3 FINE ADJUST HEAD ASSEMBLY
-	-	-	-	-	-	-	36
-	-	-	-	-	-	-	35
-	1	1	1	1	1	1	2-1320934-5 SUPPORT, TERMINAL
-	2	2	2	2	2	2	1-18024-0 SCR, BTN SKT HD CAP (M4 X 20.0)
-	1	1	1	1	1	1	18027-2 WASHER, FLAT, REG M4
-	1	1	1	1	1	1	1-18023-2 SCR, SKT HD CAP M4 X 12.0
-	1	1	1	1	1	1	1320908-4 SPACER, STRIP GUIDE
-	1	1	1	1	1	1	1-1633073-6 STRIP GUIDE ASSEMBLY
-	1	1	1	1	1	1	1-455888-0 SPACER, CRIMPER
-	2	2	2	2	2	2	1-22284-0 SPRING, COMPRESSION
-	1	1	1	1	1	1	356835-1 LEVER, DRAG RELEASE
-	1	1	1	1	1	1	240792-1 DRAG, TERMINAL
-	1	1	1	1	1	1	1320928-1 PLATE, STRIP GUIDE
-	1	1	1	1	1	1	980371-4 SCR, SKT HD SHLDR 5.0 DIA X 6.0
-	1	1	1	1	1	1	690472-2 STRIPPER
-	1	1	1	1	1	1	1-18023-1 SCR, SKT HD CAP M4 X 10.0
-	4	4	4	4	4	4	18025-2 WASHER, SPRG LOCK, REG M4
-	1	1	1	1	1	1	690472-1 STRIPPER
-	-	-	-	-	-	-	18
-	1	1	1	1	1	1	1338684-1 SHEAR HOLDER, FRONT
-	-	-	-	-	-	-	16
-	-	-	-	-	-	-	15
-	-	-	-	-	-	-	14
-	-	-	-	-	-	-	13
-	1	1	1	1	1	1	3-22280-3 SPRING, COMPRESSION
-	1	1	1	1	1	1	356885-4 STOP, SHEAR
-	1	1	1	1	1	1	1320921-1 SHEAR HOLDER, FRONT, CUT
-	1	1	1	1	1	1	462006-1 FLOATING SHEAR, FRONT
1	2	2	2	1	1	1	1633128-2 ANVIL, COMBINATION .055
-	1	1	1	1	1	1	1-240641-6 SPACER
-	-	-	-	-	-	-	6
-	1	1	1	1	1	1	2-455889-0 DEPRESSOR, SHEAR
-	1	1	1	1	1	1	238011-4 BLOCK, CRIMPER SPACER
1	2	2	2	1	1	1	4-683454-1 CRIMPER, INSULATION 0
-	1	1	1	1	1	1	455888-8 SPACER, CRIMPER
1	2	2	2	1	1	1	3-456402-5 CRIMPER, WIRE PREMIUM
-	-	-	-	-	-	-	1
-77	-76	-72	-71	-6	-2	-1	PART NO
-	-	-	-	-	-	-	DESCRIPTION
-	-	-	-	-	-	-	ITEM NO
-	-	-	-	-	-	-	84
-	-	-	-	-	-	-	83
-	-	-	-	-	-	-	82
-	-	-	-	-	-	-	81
-	-	-	-	-	-	-	80
-	-	-	-	-	-	-	79
-	-	-	-	-	-	-	78
-	-	-	-	-	-	-	77
-	-	-	-	-	-	-	76
-	-	-	-	-	-	-	75
-	-	-	-	-	-	-	74