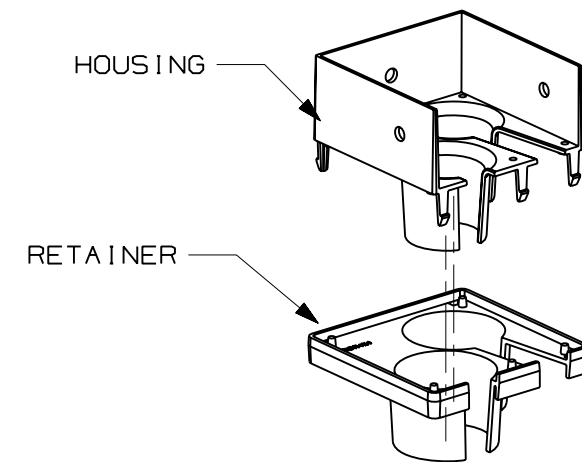


PANDUIT PART NUMBER	WEIGHT
F1DT4X4BL	0.35 LB/EACH (157g/EACH)



NOTES:

1. SEE CURRENT CATALOG FOR ADDITIONAL PART SUFFIXES TO INDICATE PACKAGE QUANTITY.
2. THE FIBER-DUCT 4x4 2-PORT SPILL-OUT TO 1 1/2" I.D. CORRUGATED LOOM TUBING IS USED TO CREATE A 2-PORT FLEXIBLE SPILL-OUT INTO EQUIPMENT FRAMES OR TELECOMMUNICATIONS CABINETS. THE SPILL-OUT ACCEPTS TWO (2) PIECES OF 1 1/2" (38.1) I.D. SLIT CORRUGATED LOOM TUBING (CLT150F-X**, CLT150F-T20)
3. DIMENSIONS IN PARENTHESES ARE IN METRIC.



ENG. REF.: D37185FD_DC_F1DT4X4BL_01.prt

CAD FILENAME/LAYERS

F1DT4X4BL.pdf

PANDUIT CORP TINLEY PARK, ILLINOIS
 FIBER-DUCT 4x4 2-PORT SPILL-OUT TO 1 1/2" I.D. CORRUGATED LOOM TUBING (F1DT4X4BL)
 CUSTOMER DRAWING

UNLESS OTHERWISE SPECIFIED, DIMENSIONAL TOLERANCES ARE:
 (.X) ± (.XXX) ±
 (.XX) ± .03 (.8) ANGLES ±

UNLESS OTHERWISE SPECIFIED, ALL DIMENSIONS ARE GIVEN IN INCHES, THIRD ANGLE PROJECTION.

DRAWN BY: REWE
 DATE: 5-9-00
 CHK'D: WAB

MAT'L: ABS

SCALE: NONE
 DRAWING NO.: 37185-76
 DWG SIZE: A

REV	DATE	BY	CHK	DESCRIPTION	ECN	R	CUST	SUP	GMBH
-	-----	---	--	K. REVISED PART WEIGHT	-----	--	--		
-	-----	---	--	J. REVISED GENERAL NOTES 1. REVISED CAD FILENAME	-----	--	--		
4	6-21-06	MSO	RN	H. REVISED DRAWING TITLE G. REVISED AND REDRAWN	37185-76	RN	RN		