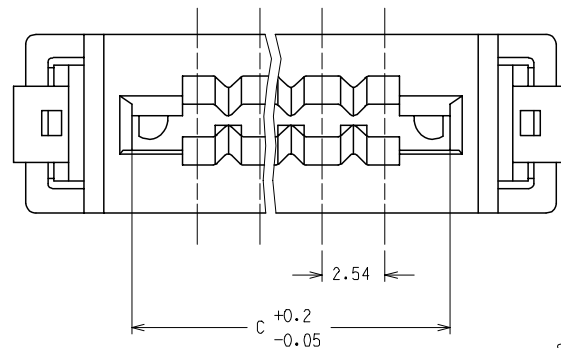
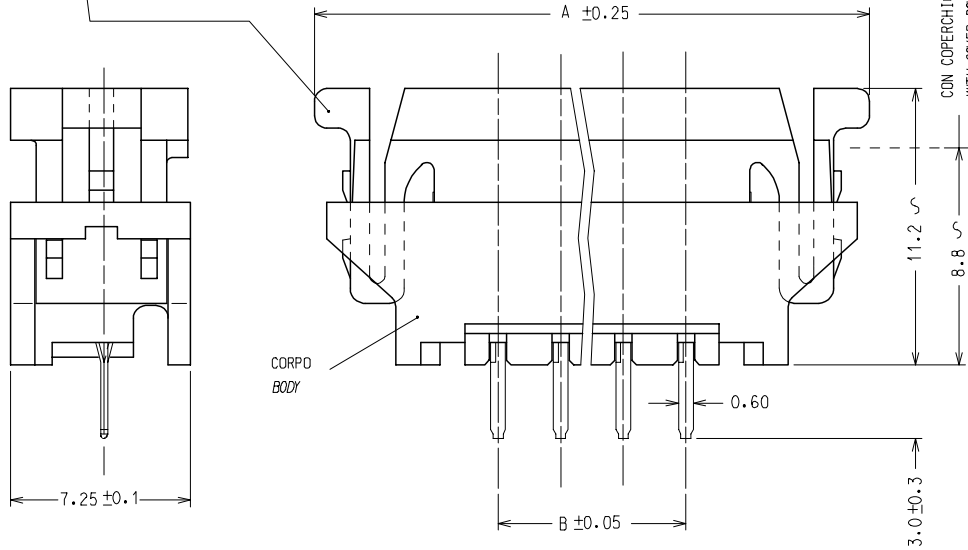


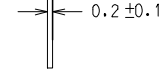
10 9 8 7 6 5 4 3 2 1

COPERCHIO  
COVER

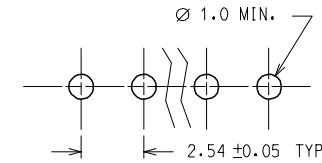
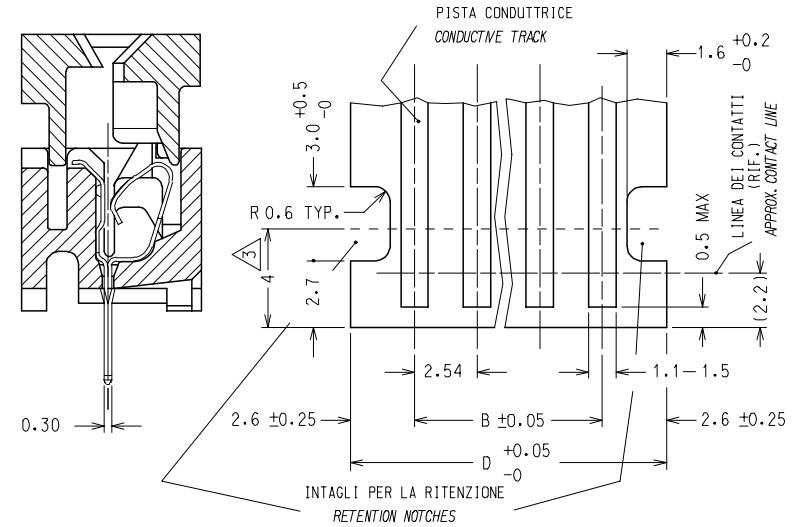
COPERCHIO ALZATO: I CONTATTI SONO APERTI PER UN AGEVOLE INSERIMENTO DEL CIRCUITO FLESSIBILE  
COVER UP: CONTACTS ARE OPEN FOR AN EASY INSERTION OF THE FLEX CIRCUITRY  
COPERCHIO ABBASSATO: I CONTATTI SONO PREMUTI CONTRO LE PISTE  
COVER DOWN: CONTACTS ARE CLOSED ON THE TRACKS



CIRCUITO FLESSIBILE (SPESSORE TYPICO)  
FLEX CIRCUITRY (TYPICAL THICKNESS)



PREPARAZIONE DEL CIRCUITO FLESSIBILE (ZONA DI CONNESSIONE)  
FLAT FLEX CIRCUITRY PREPARATION (MATING TAIL)



CONFIGURAZIONE RACCOMANDATA SUL C. S.  
RECOMMENDED P. C. BOARD HOLE DIMENSION

MATERIALI: CORPO E COPERCHIO: PBT NERO CARICATO F. V., UL 94 V0  
CONTATTI: BRONZO FOSFOROSO DI SPESSORE 0.15 mm  
PRESTAGNATO SALDABILE

MATERIALS: BODY AND COVER: BLACK G. F. PBT, UL 94 V0  
CONTACTS: PHOSPHOR BRONZE SOLDERABLE TIN PREPLATED STRIP, 0.15 mm THICK

STD. DESCR.: FFC CONN VERT (insert contact number) CKT

NOTE: 1) IL PRODOTTO VIENE FORNITO IN TUBI (VEDI FOGLIO 2/2)  
2) CARATTERISTICHE TECNICHE E FUNZIONALI COME DA PS 90500.  
3) LUNGHEZZA MINIMA DI ESPOSIZIONE DELLE PISTE  
4) SPQ: VEDERE FOGLIO 2/2

NOTE: 1) PRODUCT WILL BE SUPPLIED PACKAGED IN A TUBE (SEE SHEET 2/2)  
2) TECHNICAL CHARACTERISTICS AS INDICATED IN PS90500.  
3) MINIMUM EXPOSED LENGTH OF TRACKS  
4) SPQ: SEE SHEET 2/2

EC NO: Z2005-0177	QUALITY SYMBOLS
DRWNS:SBARBIER 2005/05/19	▽=0
CHKD:RSANDANO 2005/05/20	▽=0
APPR:FBI SELLO 2005/05/20	
REV	
B1	

GENERAL TOLERANCES (UNLESS SPECIFIED)	
mm	INCH
4 PLACES ±---	±---
3 PLACES ±---	±---
2 PLACES ±0.05	±---
1 PLACE ±0.10	±---
ANGULAR ±---°	
DRAFT WHERE APPLICABLE MUST REMAIN WITHIN DIMENSIONS	

DIMENSION STYLE	
MM ONLY	
DRAWN BY	DATE
SBARBIERI	2000/04/13
CHECKED BY	DATE
MTESTAGUZZA	2000/04/13
APPROVED BY	DATE
RMARTUCCI	2000/04/13
MATERIAL NO.	
SIZE	
A3	

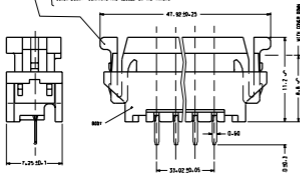
SCALE	DESIGN UNITS	FIRST ANGLE PROJECTION
5:1	METRIC	
TITLE		
FFC CONNECTOR VERTICAL MOUNTING VERSION		
MOLEX MOLEX INCORPORATED		
DOCUMENT NO.	SHEET NO.	
SD-90500-001	1 OF 2	
THIS DRAWING CONTAINS INFORMATION THAT IS PROPRIETARY TO MOLEX INCORPORATED AND SHOULD NOT BE USED WITHOUT WRITTEN PERMISSION		

9 8 7 6 5 4 3 2 1

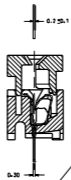
N° . DI CODICE PART. NO.	ATTREZZAGGIO TOOLING	N° . VIE CCT NO.	DIM "A"	DIM "B"	DIM "C"	DIM "D"	N° . CONN./TUBO CONN. NO./TUBE	N° . CONN./SCATOLA CONN. NO./BOX (SPQ)
90500-3002	NON ATTREZZATO NOT TOOLED	2						
90500-3003	"	3						
90500-3004	ATTREZZATO TOOLED	4	22.52	7.62	12.92	12.82	24	4320
90500-3005	"	5	25.06	10.16	15.46	15.36	21	3780
90500-3006	"	6	27.60	12.70	18.00	17.90	19	3420
90500-3007	"	7	30.14	15.24	20.54	20.44	17	3060
90500-3008	"	8	32.68	17.78	23.08	22.98	16	2880
90500-3009	"	9	35.22	20.32	25.62	25.52	15	2700
90500-3010	"	10	37.76	22.86	28.16	28.06	14	2520
90500-3011	"	11	40.30	25.40	30.70	30.60	13	2340
90500-3012	"	12	42.84	27.94	33.24	33.14	12	2160
90500-3013	"	13	45.38	30.48	35.78	35.68	11	1980
90500-3014	"	14	47.92	33.02	38.32	38.22	11	1980
90500-3015	"	15	50.46	35.56	40.86	40.76	10	1800
90500-3016	"	16	53.00	38.10	43.40	43.30	10	1800
90500-3017	"	17	55.54	40.64	45.94	45.84	9	1620
90500-3018	"	18	58.08	43.18	48.48	48.38	9	1620
90500-3019	"	19	60.62	45.72	51.02	50.92	8	1440
90500-3020	"	20	63.16	48.26	53.56	53.46	8	1440

EC NO: Z2005-0177 DRWN:SBARBERI 2005/05/19 CHKD:RSANDANO 2005/05/20 APPR:FBISELLO 2005/05/20 REV DESCRIPTION	QUALITY SYMBOLS	GENERAL TOLERANCES (UNLESS SPECIFIED)	DIMENSION STYLE MM ONLY	SCALE ---	DESIGN UNITS METRIC	FIRST ANGLE PROJECTION																	
	▽=0 ∇=0	<table border="1"> <tr> <td></td> <td>mm</td> <td>INCH</td> </tr> <tr> <td>4 PLACES</td> <td>±---</td> <td>±---</td> </tr> <tr> <td>3 PLACES</td> <td>±---</td> <td>±---</td> </tr> <tr> <td>2 PLACES</td> <td>±0.05</td> <td>±---</td> </tr> <tr> <td>1 PLACE</td> <td>±0.10</td> <td>±---</td> </tr> <tr> <td colspan="3">ANGULAR ±---°</td> </tr> </table>		mm	INCH	4 PLACES	±---	±---	3 PLACES	±---	±---	2 PLACES	±0.05	±---	1 PLACE	±0.10	±---	ANGULAR ±---°			DRAWN BY SBARBERI DATE 2000/04/15 CHECKED BY RSANDANO DATE 2000/04/15 APPROVED BY FBISELLO DATE 2000/04/15 MATERIAL NO.	TITLE FFC CONNECTOR VERTICAL MOUNTING VERSION	MOLEX INCORPORATED DOCUMENT NO. SD-90500-001 SHEET NO. 2 OF 2
		mm	INCH																				
	4 PLACES	±---	±---																				
3 PLACES	±---	±---																					
2 PLACES	±0.05	±---																					
1 PLACE	±0.10	±---																					
ANGULAR ±---°																							
DRAFT WHERE APPLICABLE MUST REMAIN WITHIN DIMENSIONS	SEE TABLE																						

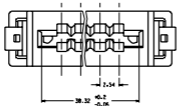
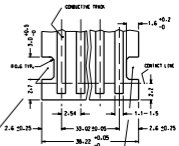
COVER UP: CONTACTS ARE OPEN FOR AN EASY INSERTION OF THE FLEX CIRCUITRY  
 COVER DOWN: CONTACTS ARE CLOSED BY THE TRACKS



FLEX CIRCUITRY (TYPICAL THICKNESS)



FLAT FLEX CIRCUITRY PREPARATION (ON THE TAB)



RECOMMENDED P-C HOLE DIMENSION:



MARKING:  
 BODY AND COVER: BLACK G.F. PBT, UL 94 V0  
 CONTACTS: PHOSPHOR BRONZE SOLDERABLE TIN PLATED STRIP, 0.15 mm THICK

STR. RESOR.: PFC COVER NOT IN KIT

NOTES:  
 1) PRODUCT WILL BE SUPPLIED PACKAGED IN TUBES (1000 PCS/BOX - SPI)  
 2) TECHNICAL CHARACTERISTICS AS INDICATED IN PS-90500-011.

EC NO. Z300-0017 CHINA S. No. 01: 20-11-01 CHINA S. No. 02: 20-11-02 APPROVAL No. 01: 20-11-01 APPROVAL No. 02: 20-11-02	QUALITY SYMBOLS MILEAGE SIGNIFY CRITICAL	GENERAL TOLERANCES UNLESS SPECIFIED FRACTIONAL DECIMALS 4 PLACES ±0.1 2 PLACES ±0.05 1 PLACE ±0.1 1 PLACE ±0.1 ANGLES MIN. 1°	SCALE	DESIGN UNITS	FIRST ANGLE PROJECTION TITLE: CONNECTOR FOR FLAT FLEXIBLE CIRCUITS 14 CAT. 2.54 1x1001 FOOT PRINT - VERTICAL MOUNTING VERSION - MOLEX INCORPORATED	DIMENSIONS: <input type="checkbox"/> FRACTIONAL <input type="checkbox"/> DECIMAL <input type="checkbox"/> INCH <input type="checkbox"/> METRIC <input type="checkbox"/> BOTH <input type="checkbox"/> NONE	DATE	REV			
			DESIGNED BY	DATE			DATE	REV			
			CHECKED BY	DATE			DATE	REV			
APPROVED BY	DATE	DATE	DATE	DATE	DATE	DATE	DATE	DATE	DATE	DATE	DATE
SHEET WHERE APPLICABLE MUST REMAIN WITH DIMENSIONS		THIS DRAWING CONTAINS INFORMATION THAT IS PROPRIETARY TO MOLEX INCORPORATED AND SHOULD NOT BE USED WITHOUT WRITTEN PERMISSION.		MATERIAL NO. 90500-0014		DRAWING NO. 50-90500-004		SHEET NO. 1/1		SIZE A 1	