

AS7211

Smart Lighting Manager with Integrated Daylight Sensor, Control Interfaces and Network Access

General Description

The AS7211 Smart Lighting Manager device is an intelligent, photopic-sensor based light manager that enables automatic daylight level adaptation and energy conservation for next generation lighting systems. It is part of the ams “Cognitive Lighting™” family of products that enable lights to be “aware” and adapt to their surroundings and provide human lighting needs and energy conservation needs autonomously.

The AS7211 is equipped with an advanced Cognitive Light Engine (CLE) to optimize daylight harvesting and drives either dimming ballasts or LED drivers. For local inputs it uses direct connection to Local Sensor Networks (LSN), like occupancy sensors, dimmers or bridges. It connects to standard 0-10V dimmers inputs and drives 0-10V dimming ballasts/drivers for fluorescent lighting or LED drivers for LED lighting. A UART interface is provided for remote configuration, control and management of the CLE. This UART interface responds to simple AT commands.

The AS7211 can also directly connect to precision LED drivers from ams, providing a complete lighting solution that can be easily commissioned and deployed.

Ordering Information appears at end of datasheet.

Key Benefits & Features

The benefits and features of this device are listed below:

Figure 1: Added Value of Using AS7211

Benefits	Features
<ul style="list-style-type: none"> • Very accurate ambient light measurements possible 	<ul style="list-style-type: none"> • Ambient light sensing (photopic response) optimized for Day-Lighting applications
<ul style="list-style-type: none"> • No life-time drift and very high temperature stability 	<ul style="list-style-type: none"> • Photopic response realized by interference filters
<ul style="list-style-type: none"> • Evaluation of additional sensors possible 	<ul style="list-style-type: none"> • Configurable Local Sensor Network (LSN), supporting either 0-10V or I²C
<ul style="list-style-type: none"> • Input signal conditioning not necessary 	<ul style="list-style-type: none"> • Accepts 0-10V input signals from dimmers
<ul style="list-style-type: none"> • Output signal conditioning not necessary 	<ul style="list-style-type: none"> • 0-10V output for control of dimmable ballast, linear fluorescent, LEDs
<ul style="list-style-type: none"> • Closed Loop PWM control 	<ul style="list-style-type: none"> • Integrated 12bit PWM for linear/non-linear dimming
<ul style="list-style-type: none"> • Simplifies the device set-up 	<ul style="list-style-type: none"> • AT Commands: Configuration and control through UART
<ul style="list-style-type: none"> • Enables Network controlled lighting 	<ul style="list-style-type: none"> • Network control: UART interface to network & building management (BLE, Wi-Fi, ZigBee, BacNet, KNX) systems via AT commands
<ul style="list-style-type: none"> • Avoidance of AC beat frequency flicker 	<ul style="list-style-type: none"> • SYNC pin to synchronize multiple lights
<ul style="list-style-type: none"> • Industrial Temperature range 	<ul style="list-style-type: none"> • Temperature range: 0 to 85°C
<ul style="list-style-type: none"> • Low VDD requirement 	<ul style="list-style-type: none"> • VDD LV range: 2.7V to 3.6V
<ul style="list-style-type: none"> • Small package, with built in aperture 	<ul style="list-style-type: none"> • 20-pin LGA package 4.5 x 4.7 x 2.5mm

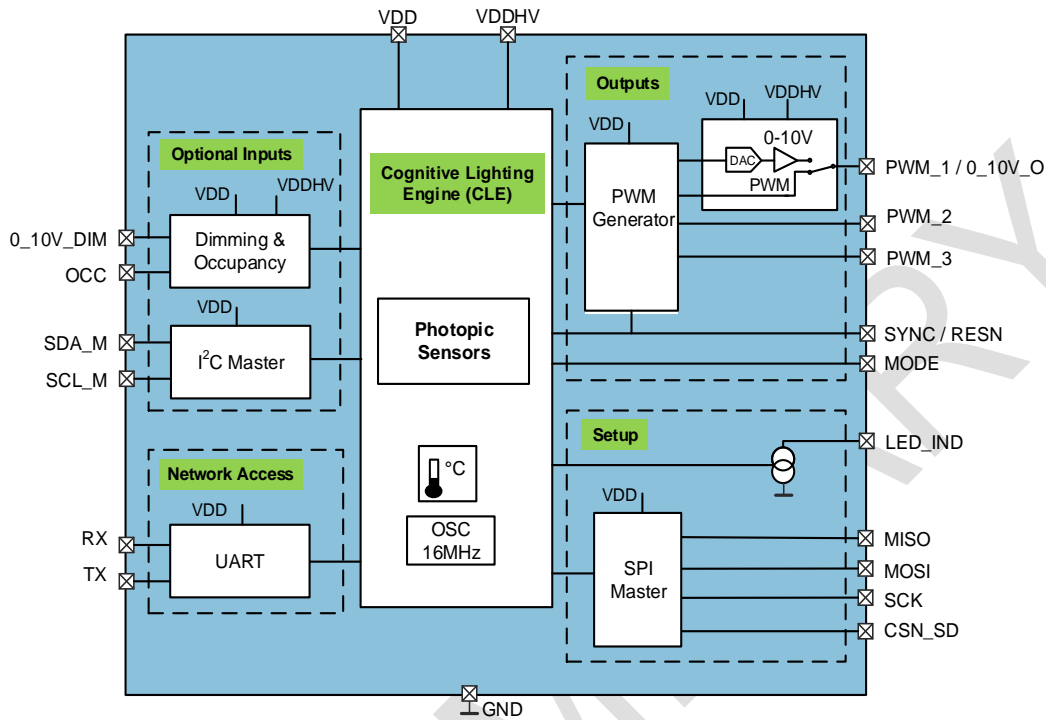
Applications

Sense ambient light, dim and maintain brightness of luminaires and lamps in local loop control, automatic lumen maintenance, flexible network connectivity and simple control of luminaires and lamps.

- LED and florescent luminaires, troffers, high-bays
- Track-head and downlights
- LED and florescent replacement lamps

Block Diagram

Figure 2: Functional Blocks of AS7211



The AS7211 provides closed loop ambient Daylight sensing and PWM tuning while interfacing to Local and Network controls.

Pin Assignments

Figure 3: Pin Diagram of AS7211 (top view)

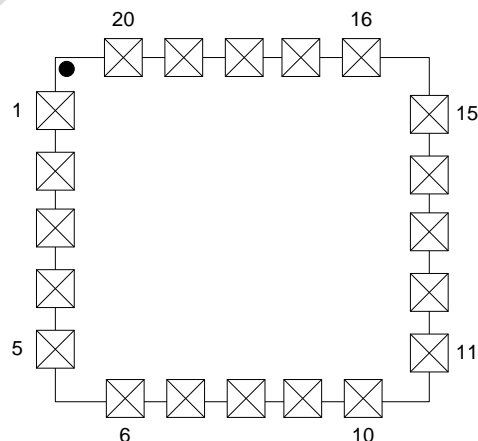


Figure 4: Pin Description of AS7211 (20 pin LGA)

Pin Number	Pin Name	Description
1	PWM_3	Digital PWM 3
2	SYNC	SYNC input
	RESN	Reset pin, active low
3	SCK	SPI serial clock
4	MOSI	SPI MOSI
5	MISO	SPI MISO
6	CSN_EE	Chip select for the required external serial Flash memory, active low
7	CSN_SD	Chip select for SD Card interface, active low
8	AUX	Auxiliary mode input pin
9	SCL_M	I ² C master clock pin
10	SDA_M	I ² C master data pin
11	RX	UART RX pin
12	TX	UART TX pin
13	0_10V_DIM	0-10V input dimming pin
14	VDDHV	High Voltage Supply
15	MODE	Mode selection pin
16	GND	Ground
17	VDD	Low Voltage Supply
18	LED_IND	LED Driver output for Indicator LED, current sink
	PWM_1	Digital PWM 1
19	0_10V_O	0-10V output pin
	PWM_2	Digital PWM 2

Absolute Maximum Ratings

Stresses beyond those listed under “Absolute Maximum Ratings“ may cause permanent damage to the device. These are stress ratings only. Functional operation of the device at these or any other conditions beyond those indicated under “Operating Conditions” is not implied. Exposure to absolute maximum rating conditions for extended periods may affect device reliability. The device is not designed for high energy UV (ultraviolet) environments, including upward looking outdoor applications, which could affect long term optical performance.

Figure 5: Absolute Maximum Ratings

Symbol	Parameter	Min	Max	Units	Comments
Electrical Parameters					
V _{DD_MAX}	Supply voltage VDD	-0.3	5	V	pin VDD to GND, Low Voltage pin
V _{DDHV_MAX}	Supply voltage VDDHV	-0.3	20	V	pin VDDHV to GND, High Voltage pin
V _{DD_IO}	Input/output pin voltage	-0.3	VDD + 0.3	V	Low Voltage pins to GND
V _{DDHV_IO}	Input/output pin voltage	-0.3	VDDHV + 0.3	V	High Voltage pins to GND
I _{SCR}	Input current (latch-up immunity)	± 100		mA	JEDEC JESD78D Nov 2011 (Class II)
Electrostatic Discharge					
ESD _{HBM} ⁽¹⁾	Electrostatic discharge HBM	±2000		V	JS-001-2014
Temperature Ranges and Storage Conditions					
T _{strg}	Storage temperature	-40	85	°C	
T _{body}	Package Body Temperature		260	°C	Norm: IPC/JEDEC J-STD-020. The reflow peak soldering temperature (body temperature) is specified according IPC/JEDEC J-STD-020 “Moisture/Reflow Sensitivity Classification for Non-hermetic Solid State Surface Mount Devices”
	Humidity non-condensing	5	85	%	
	Moisture Sensitive Level	3			Represents a 168 hour max. floor lifetime

Note ⁽¹⁾: Except for pins 14 and 19 where ESD_{HBM} = ±1500V

Electrical Characteristics

All limits are guaranteed with $V_{DD} = 3.3V$, $V_{DDHV} = 12V$, $T_{AMB} = +25^{\circ}C$. The parameters with min and max values are guaranteed with production tests or SQC (Statistical Quality Control) methods.

If V_{DD} and V_{DDHV} are to be the same voltage, they must be sourced by the same 2.97-3.6V supply.

Figure 6: Electrical Characteristics

Symbol	Parameter	Conditions	Min	Typ	Max	Unit
General Operating Conditions						
VDD	Low Voltage operating Supply		2.97	3.3	3.6	V
VDDHV	High Voltage operating Supply		VDD	12	15	V
T_{AMB}	Operating Temperature		-40	25	85	$^{\circ}C$
I_{VDD}	Operating Current				5	mA
$I_{STANDBY}^{(1)}$	Standby Current			12		μA
Internal RC Oscillator						
F_{OSC}	Internal RC oscillator frequency		15.7	16	16.3	MHz
$t_{JITTER}^{(2)}$	Jitter	@25 $^{\circ}C$			1.2	ns
0-10V Output (0_10V_O pin)						
R_{OUT_10}	Resistive Load		1			k Ω
I_{S_10}	Source Current		10			mA
I_{SINK_10}	Sink Current		-10			mA
C_{LOAD_10}	Capacitive Load				100	pF
$V_{OUT_10}^{(3)}$	Output Swing		0		10	V
0-10V Input						
R_{IN_HV}	Analog Input Resistance	$V_{DDHV} \geq 12V$	138	200	315	k Ω

Temperature Sensor						
D _{TEMP}	Absolute accuracy of the temperature measurement		-8.5		8.5	°C
Indicator LED						
I _{IND}	LED Current	1, 2, 4 or 8	1		8	mA
I _{ACC}	Accuracy of Current		-10		10	%
V _{LED}	Voltage range of connected LED	V _{ds} of current sink	0.2			V
Digital Inputs and Outputs						
I _{IH} , I _{IL}	Logic Input Current	V _{in} =0V or VDD	-1		1	uA
V _{IH}	CMOS Logic High Input		0.7* VDD		VDD	V
V _{IL}	CMOS Logic Low Input		0		0.3* VDD	V
V _{OH}	CMOS Logic High Output	I=1mA			VDD-0.4	V
V _{OL}	CMOS Logic Low Output	I=1mA			0.4	V
I _{Ih} , I _{IL}	Logic Input Current	V _{in} =0V or VDD	-1		1	uA
t _{RISE} ⁽²⁾	Current rise time	C(Pad)=30pF			5	ns
t _{FALL} ⁽²⁾	Current fall time	C(Pad)=30pF			5	ns

Notes:

- (1) 15µA over temperature
- (2) Guaranteed, not production tested
- (3) For VDDHV>10.5, output max is 10V, else output max tracks VDDHV

Figure 7: AS7211 I²C Master Timing Characteristics

Symbol	Parameter	Conditions	Min	Typ	Max	Unit
I²C Interface						
f _{SCLK}	SCL Clock Frequency			100	400	kHz
t _{BUF}	Bus Free Time Between a STOP and START		1.3			μs
t _{HD:STA}	Hold Time (Repeated) START		0.6			μs
t _{LOW}	LOW Period of SCL Clock		1.3			μs
t _{HIGH}	HIGH Period of SCL Clock		0.6			μs
t _{SU:STA}	Setup Time for a Repeated START		0.6			μs
t _{HD:DAT}	Data Hold Time		0		0.9	μs
t _{SU:DAT}	Data Setup Time		100			ns
t _R	Rise Time of Both SDA and SCL		20		300	ns
t _F	Fall Time of Both SDA and SCL		20		300	ns
t _{SU:STO}	Setup Time for STOP Condition		0.6			μs
C _B	Capacitive Load for Each Bus Line	C _B — total capacitance of one bus line in pF			400	pF
C _{I/O}	I/O Capacitance (SDA, SCL)				10	pF

Figure 8: I²C Master Timing Diagram

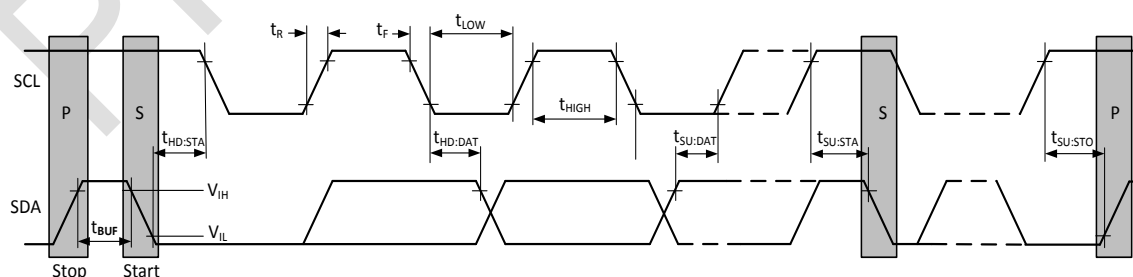


Figure 9: AS7211 SPI Timing Characteristics

Symbol	Parameter	Conditions	Min	Typ	Max	Unit
SPI Interface						
f _{SCK}	Clock frequency		0		16	MHz
t _{SCK_H}	Clock high time		40			ns
t _{SCK_L}	Clock low time		40			ns
t _{SCK_RISE}	SCK rise time		5			ns
t _{SCK_FALL}	SCK fall time		5			ns
t _{CSN_S}	CSN setup time	Time between CSN high-low transition to first SCK high transition	50			ns
t _{CSN_H}	CSN hold time	Time between last SCK falling edge and CSN low-high transition	100			ns
t _{CSN_DIS}	CSN disable time		100			ns
t _{DO_S}	Data-out setup time		5			ns
t _{DO_H}	Data-out hold time		5			ns
t _{DI_V}	Data-in valid		10			ns

Figure 10: SPI Master Write Timing Diagram

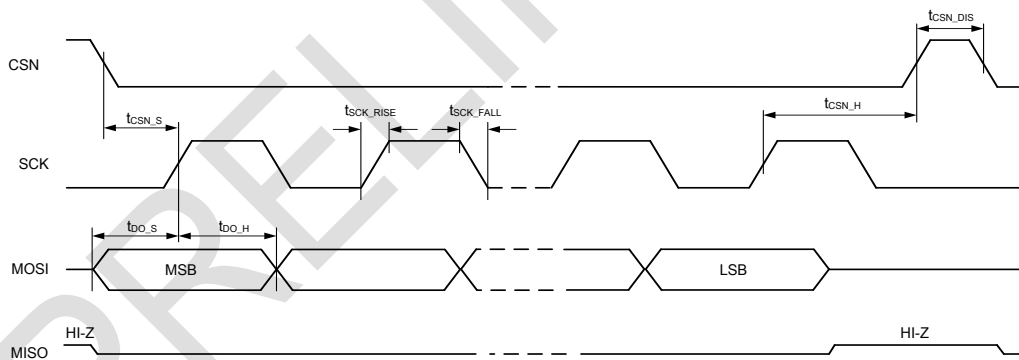


Figure 11: SPI Master Read Timing Diagram

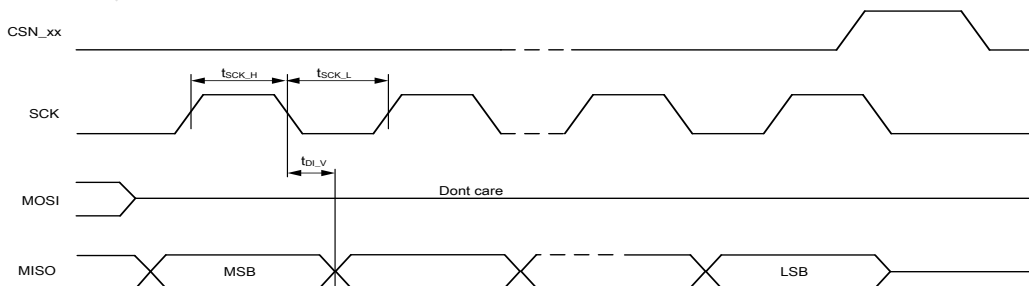


Figure 12: Typical Spectral Responsivity

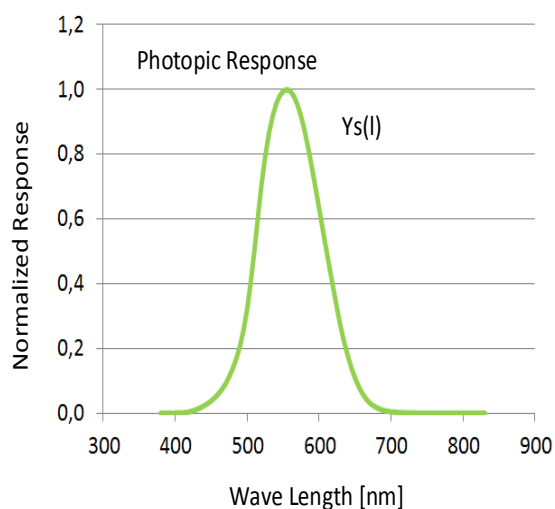
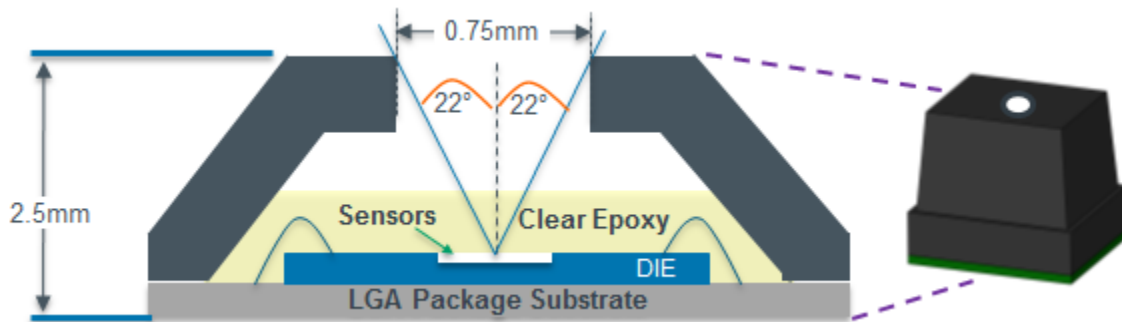


Figure 13: AS7211 Optical Characteristics

Symbol	Parameter	Conditions	Min	Typ ⁽¹⁾	Max	Unit
SOR	Sensor output Responsivity	White LED CCT = 4000K E _v = 200 LUX	190	200	210	LUX
IR _{Resp}	IR Responsivity	IR LED 850nm, E _v = 100 LUX		1		LUX
DR _{LUX}	Dynamic Range		10		60000	LUX

⁽¹⁾Typical values at Int=400.4ms, Gain=1x, T_{AMB} = +25°C.

Figure 14: AS7211 LGA Package Field of View



Detailed Description

AS7211 Smart Lighting Manager - Overview

The Cognitive Light Engine (CLE) is the “brains” of the Smart Lighting Manager. The CLE constantly processes information from the Photopic Sensors, Network Access and Inputs while controlling Outputs. Initial Setup and ongoing parameter storage is done by reading and writing an external EEPROM via SPI bus.

A Luminaire solution for Daylighting and Spectral Presence requires only the AS7211. A Luminaire solution with Daylighting, and Lumen Maintenance requires just the addition of an ams TSL4531 single chip light sensor, connected via I²C. Refer to the table in the Figure below.

Overall AS7211 timing generation uses an on chip 16MHz temperature compensated oscillator for master clock timing.

Figure 15: AS7211 Solution Chart

Solution Required			Device Orientation (from luminaire light source)	
Daylighting	Lumen Maintenance	Spectral Presence Detect	AS7211	TSL4531 (optional)
✓	✗	✓	↓ (into room)	✗ (not required)
✗	✓	✗	↑ (into luminaire)	✗ (not required)
✓	✓	✗	↑ (into luminaire)	↓ (into room)

Photopic Sensor

The Photopic sensor, part of the AS7211 Cognitive Light Engine (CLE), is a next-generation digital light sensor device which approximates the human eye response. The sensor contains an integrating analog-to-digital converter (16-bit resolution ADC), which integrates current from a photodiodes. Upon completion of the conversion cycle, the result is transferred to the corresponding data registers. Transfers are double-buffered to ensure integrity of the data is maintained. The Photopic response is realized by an interference filter, which enables no life-time drift and very high temperature stability. Note the AS7211 LGA package contains an internal aperture that provides a Package Field of View (PFOV) of +/- 22°. External optics can be used as needed to expand or reduce this built in PFOV.

AS7211 Inputs

Figure 16: VDDHV Based Settings for Inputs

VDDHV	Dimming
10.5-15V	Direct input for 0_10V_DIM, dimming input
2.97-10V ⁽¹⁾	External 5:1 resistor divider for 0-10V_DIM, dimming input ⁽²⁾

Note ⁽¹⁾: For VDDHV <= 3.6V, VDDHV and VDD should be tied together.

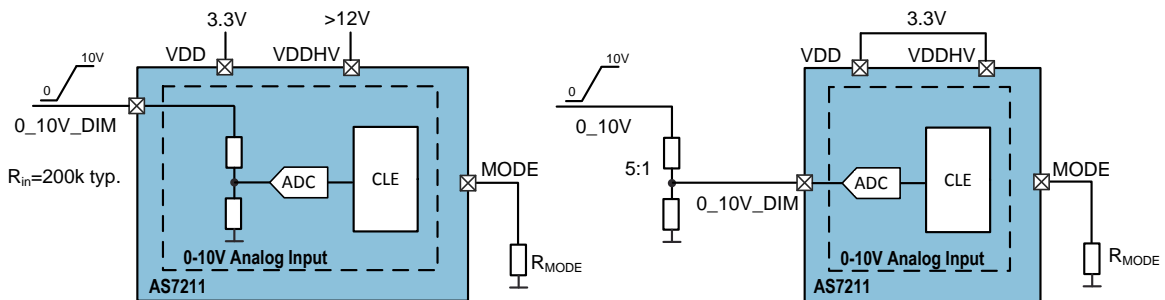
Note ⁽²⁾: With external dividers connected to 0-10V inputs, the max voltage to the device input is 2V.

For the AS7211, dimming can be accomplished from either the input pin (0_10V_DIM) or network command via the UART. For network commanded dimming, using the AS7211 AT Command set, the UART interface is used. Refer to the separate ams AT Command Set document available for the AS7211.

For local hardware inputs this is provided by, for example, a slide control dimmer. The 0-10V DIM analog input signal is downscaled by the AS7211 with an internal voltage divider and converted to a 10 bit digital value, 0V=full dimming, 10V=no dimming. When using the internal voltage divider the voltage at the VDDHV pin has to be higher than 10V.

If a second supply is not available, VDDHV and VDD are tied together and the downscale has to be done by an external resistor divider. The maximum range in the downscaled input is limited to 2V. Hence to accept a full range 10V signal the input resistor divider has to be 5:1 ratio. Dependent on the level at pin VDDHV the Smart Lighting Manager automatically selects either the internal or the external voltage divider. Refer to the Figures above and below.

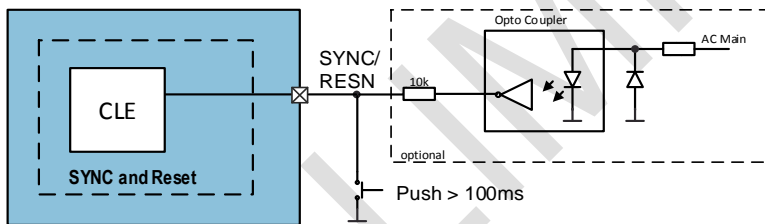
Figure 17: 0-10V Dimming Pin Input



The auxiliary sensor input (AUX) can be configured as an analog or digital sensing. It can be used as a 0-10V analog sensing input, or, as a digital sensing input both of which are common types of external occupancy sensors. And this sensing can therefore be used to directly control the luminaire. Refer to AS7211 User Guide as well as the ams AT Command document for additional usage and setup information.

Synchronization and Reset

Figure 18: Synchronization and Reset Circuit



Synchronization and Reset Circuit: This figure shows the basic diagram when using reset and synchronization function together.

AS7211 provides optional synchronization of the PWMs. This sync signal can be derived from the AC mains so, for example, all luminaires in a room are synchronized to prevent beat frequency flicker. If the SYNC pin is left open, synchronization is automatically disabled.

Refer to the Figure above. When pulled down for more than 100ms the SYNC/RESN pin will reset the AS7211 Smart Lighting Manager. In this case the push-button “overrides” the output of the opto-coupler. Therefore a resistor should be placed in series with the opto-coupler.

AS7211 Outputs

The AS7211 outputs, used to control ballast dimming and/or LED string dimming, can be configured as either three PWM outputs or two PWMs and one analog output. The PWMs are 12 bit with max frequency of 5.3 kHz, which is factory set to 888 Hz. Refer to the Figure below.

The three PWM outputs, PWM_1, PWM_2 and PWM_3 all switch with the same duty cycle, but are not simultaneous for better EMI performance. The PWM_1 output can be set to either analog (0-VDDHV) or digital (0-VDDHV) dimming. Analog dimming range is 10-100%. Digital Dimming range is 1-100%. PWM2 and PWM3 track output 1 dimming level, but are always digital (1-100%).

To set the desired device operation MODE use the appropriate R_{MODE} resistor, also shown in the Figure below.

Figure 19: Outputs

MODE	R_{MODE}	Setting	Outputs	
			PWM_1/0_10V_O	PWM_2 & PWM_3
0	100 Ω	0-10V analog	Analog 0-VDDHV ⁽¹⁾	Digital PWMs (0-VDD)
1	470 Ω	0-10V digital	Digital PWM (0-VDDHV) ⁽¹⁾	Digital PWMs (0-VDD)

Note ⁽¹⁾: For VDDHV>10.5, output max is 10V, else output max tracks VDDHV.

Indicator LED

An LED, connected to pin LED_IND, is used to indicate programming progress of the device. During programming of the AS7211 via an external SD card the indicator LED starts. When programming is finished the indicator LED is off.

Refer to the separate ams document for a complete description of AS7211 Firmware Update Methodology.

UART and AT Command Interface

The UART block implements the TX and RX signals as defined in the RS-232 / V.24 standard communication protocol.

UART Feature List

- Full Duplex Operation (Independent Serial Receive and Transmit Registers) with FIFO buffer of 8 bytes for each.
- Factory set to 115.2k Baud
- Supports Serial Frames with 8 Data Bits, 1 Parity Bit and 1 Stop Bit.

Operation

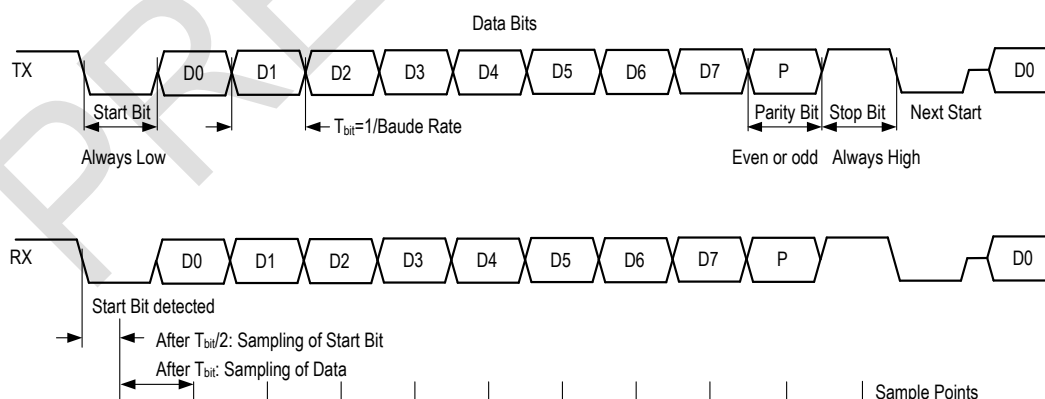
TRANSMISSION

If data is available in the transmit FIFO, it will be moved into the output shift register and the data will be transmitted at the configured Baud Rate, starting with a Start Bit (logic zero) and followed by a Stop Bit (logic one).

RECEPTION

At any time, with the receiver being idle, if a falling edge of a start bit is detected on the input, a byte will be received and stored in the receive FIFO. The following Stop Bit will be checked to be logic one.

Figure 20: UART Protocol



AT Command Interface

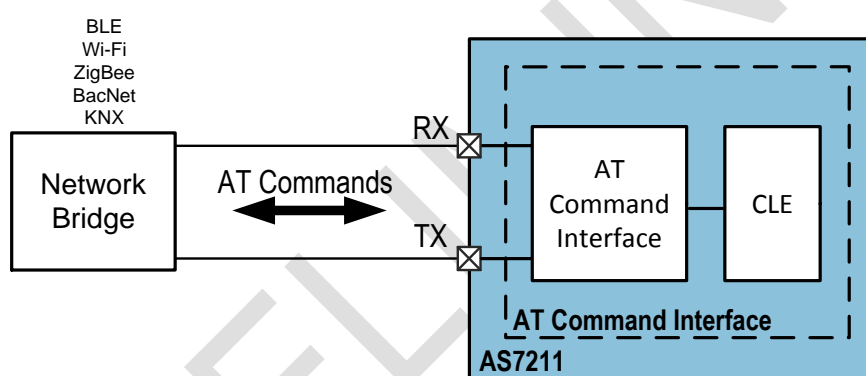
The network interface on the Smart Lighting Manager supporting the AT Commands is the UART interface. The Smart Lighting Manager adapts the concept of an AT command set for lighting control and configuration. The Smart Lighting Manager uses a text-based serial command interface as popularized by the “AT Command” model used in early Hayes modems.

For example:

- Set the desired daylight LUX level target: `ATLUXT = 500 >> OK`

The “AT Command Interface”, shown below between the network interface and the core of the system, provides access to the Smart Lighting Manager’s lighting control and configuration functions.

Figure 21: AT Command Interface



Refer to the separate ams AS7211 AT Command Set document for complete command set and usage.

I²C Master Interface (Local Sensor Interface)

The I²C Master interface can be used to connect external sensors (such as Daylight, Occupancy, CO sensors, etc.). Refer to the separate ams Application note for external sensor usage with the AS7211.

I²C Feature List

- Clock is set to 100kHz
- 7+1-bit addressing mode.
- Write formats: Single-Byte-Write, Page-Write
- Read formats: Random-Read, Sequential-Read
- SDA input delay and SCL spike filtering by integrated RC-components.

I²C Protocol

Figure 22: I²C symbol definition

Symbol	Definition	RW	Note
S	Start condition after stop	R	1 bit
Sr	Repeated start	R	1 bit
SW	Slave address for write	R	Slave address
SR	Slave address for read	R	Slave address
WA	Word address	R	8 bit
A	Acknowledge	W	1 bit
N	No Acknowledge	R	1 bit
Data	Data/write	R	8 bit
Data (n)	Data/read	W	8 bit
P	Stop condition	R	1 bit
WA++	Slave Increment word address	R	during acknowledge

The above I²C symbol definition table describes the symbols used in the following mode descriptions.

I²C WRITE ACCESS

Byte Write and Page Write formats are used to write data to the slave.

Figure 23: I²C Byte write

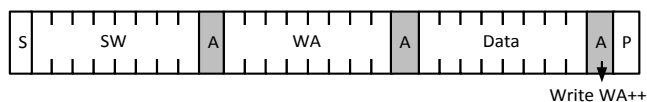
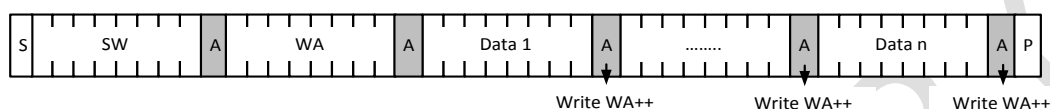


Figure 24: I²C Page write



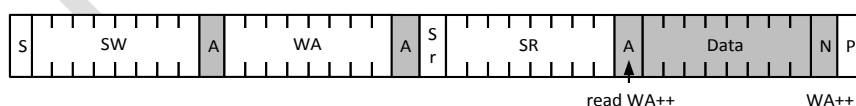
The transmission begins with the START condition, which is generated by the master when the bus is in IDLE state (the bus is free). The device-write address is followed by the word address. After the word address any number of data bytes can be sent to the slave. The word address is incremented internally, in order to write subsequent data bytes on subsequent address locations.

For reading data from the slave device, the master has to change the transfer direction. This can be done either with a repeated START condition followed by the device-read address, or simply with a new transmission START followed by the device-read address, when the bus is in IDLE state. The device-read address is always followed by the 1st register byte transmitted from the slave. In Read Mode any number of subsequent register bytes can be read from the slave. The word address is incremented internally.

I²C READ ACCESS

Random, Sequential and Current Address Read are used to read data from the slave.

Figure 25: I²C Random read

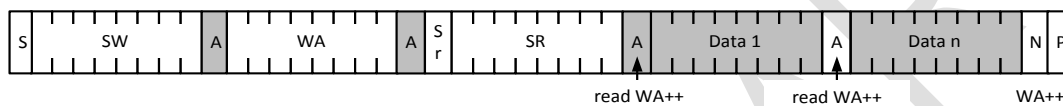


Random Read and Sequential Read are combined formats. The repeated START condition is used to change the direction after the data transfer from the master.

The word address transfer is initiated with a START condition issued by the master while the bus is idle. The START condition is followed by the device-write address and the word address.

In order to change the data direction a repeated START condition is issued on the 1st SCL pulse after the acknowledge bit of the word address transfer. After the reception of the device-read address, the slave becomes the transmitter. In this state the slave transmits register data located by the previous received word address vector. The master responds to the data byte with a not-acknowledge, and issues a STOP condition on the bus.

Figure 26: I²C Sequential read



I²C sequential read: Shows the format of an I²C sequential read access.

Sequential Read is the extended form of Random Read, as more than one register-data bytes are transferred subsequently. In difference to the Random Read, for a sequential read the transferred register-data bytes are responded by an acknowledgement from the master. The number of data bytes transferred in one sequence is unlimited (consider the behavior of the word-address counter). To terminate the transmission the master has to send a not-acknowledge following the last data byte and generate the STOP condition subsequently.

The AS7211 is compatible to the NXP two wire specifications.

http://www.nxp.com/documents/user_manual/UM10204.pdf

Version 4.0 Feb 2012 for standard mode and fast mode.

Application Information

Schematics

Figure 67: Constant Current LED Daylighting w/Networking & Spectral Sensing

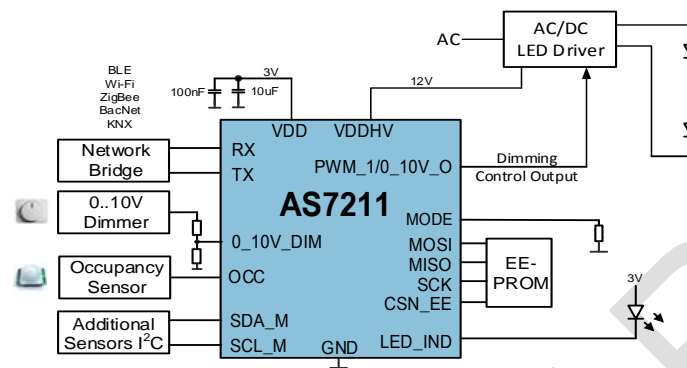


Figure 28: Constant Voltage LED Daylighting w/Networking & Spectral Sensing

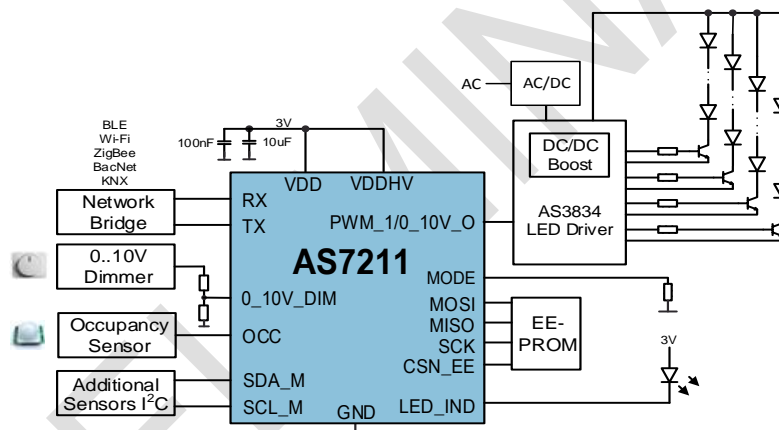
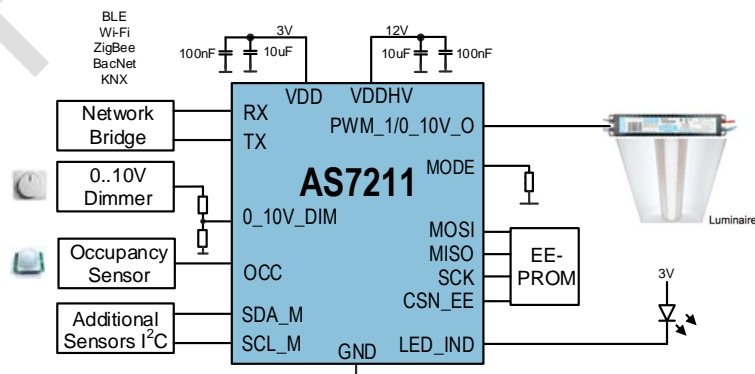
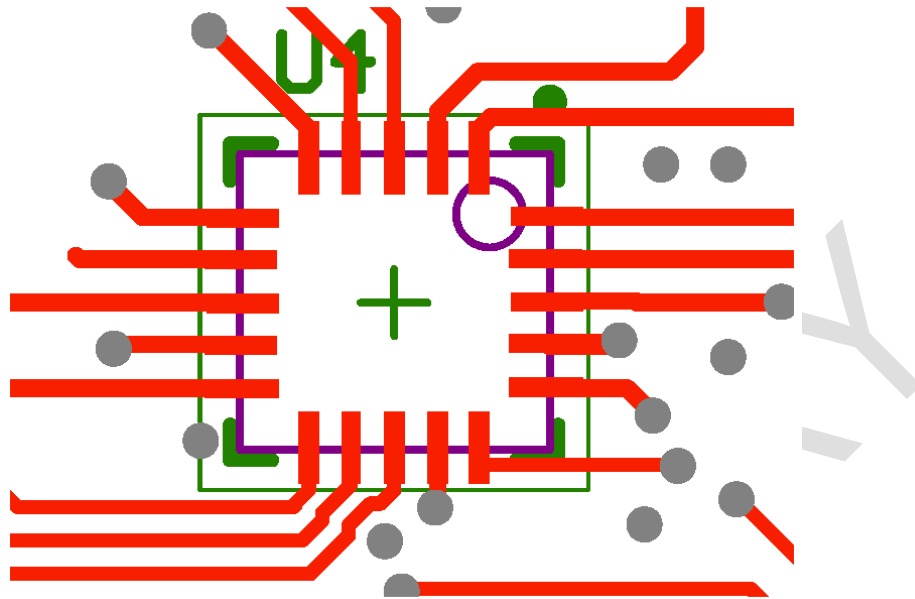


Figure 29: Fluorescent Daylighting System w/Networking and Spectral Sensing



PCB Layout

Figure 30: Typical Layout Routing

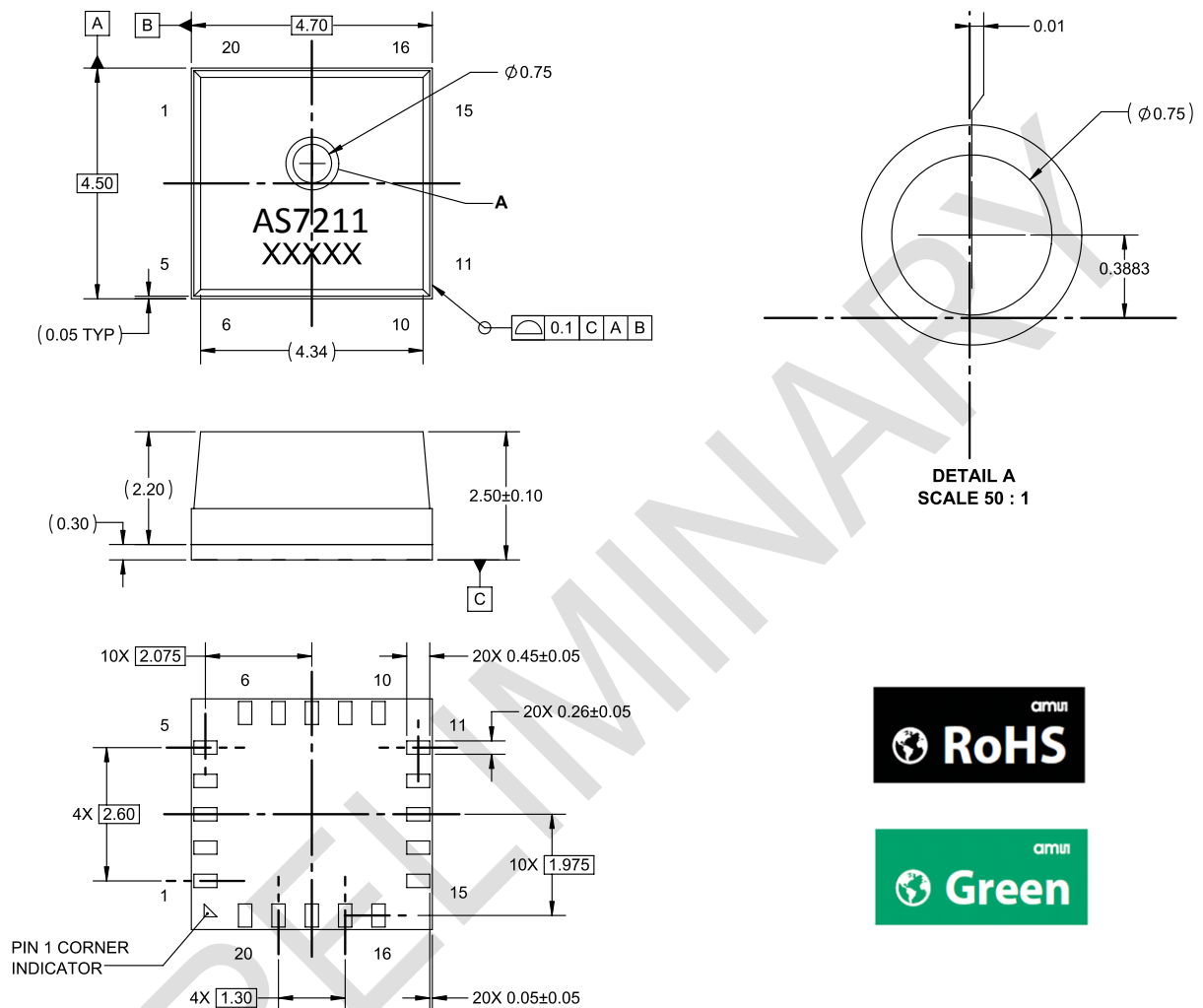


As shown, to prevent interference trace routing feedthroughs with exposure directly under the AS7211 should be avoided.

The AS7211 Smart Lighting Integration Kit (SLIK) demo board with schematic and PCB layout documentation is available from ams for additional design information.

Package Drawings & Markings

Figure 31: Package Drawing



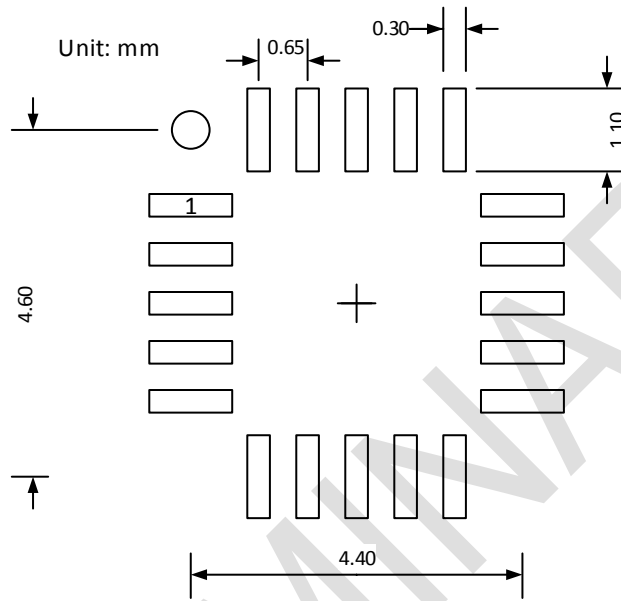
Notes:

1. Unless otherwise specified, all dimensions are in millimeters.
2. Tolerances: Angular ($\pm .5^\circ$), Two Place Decimal ($\pm .015$), Three Place Decimal ($\pm .010$)
3. Contact finish is Au.
4. This package contains no lead (Pb).
5. This drawing is subject to change without notice.

PCB Pad Layout

Suggested PCB pad layout guidelines for the LGA package are show. Flash Gold is recommended as a surface finish for the landing pads.

Figure 32: Recommended PCB Pad Layout

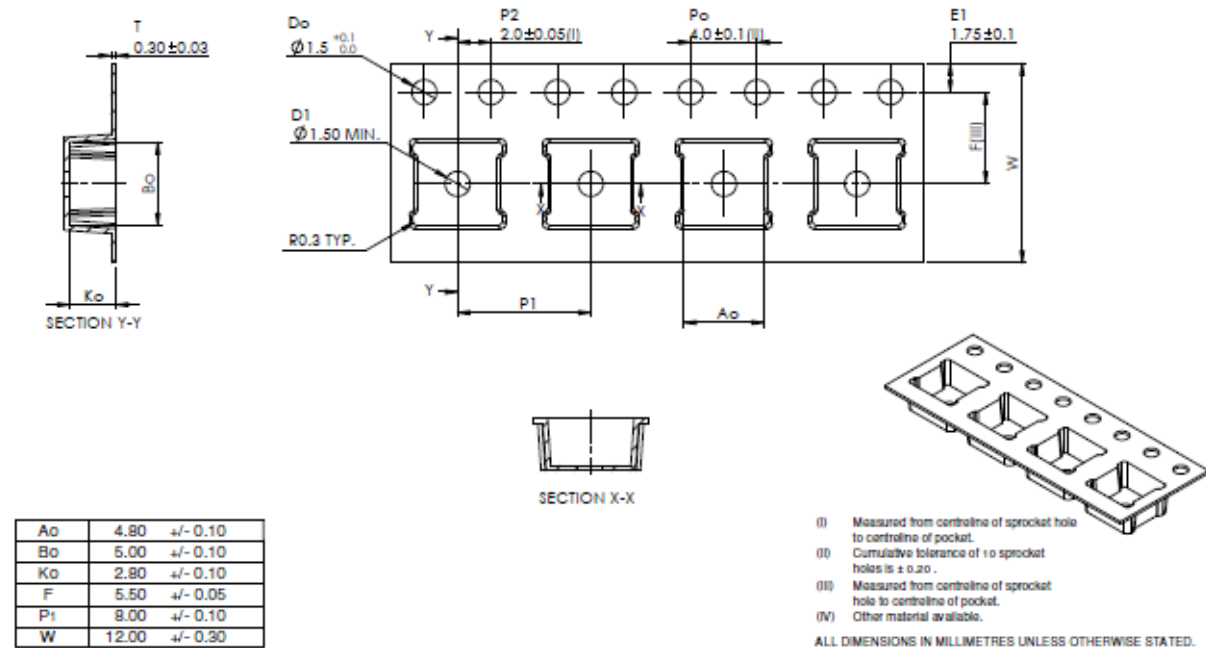


Notes:

1. Unless otherwise specified, all dimensions are in millimeters.
2. Dimensional tolerances are $\pm 0.05\text{mm}$ unless otherwise noted.
3. This drawing is subject to change without notice.

Mechanical Data

Figure 33: Tape & Reel Information



Soldering, Manufacturing Process Considerations & Storage Information

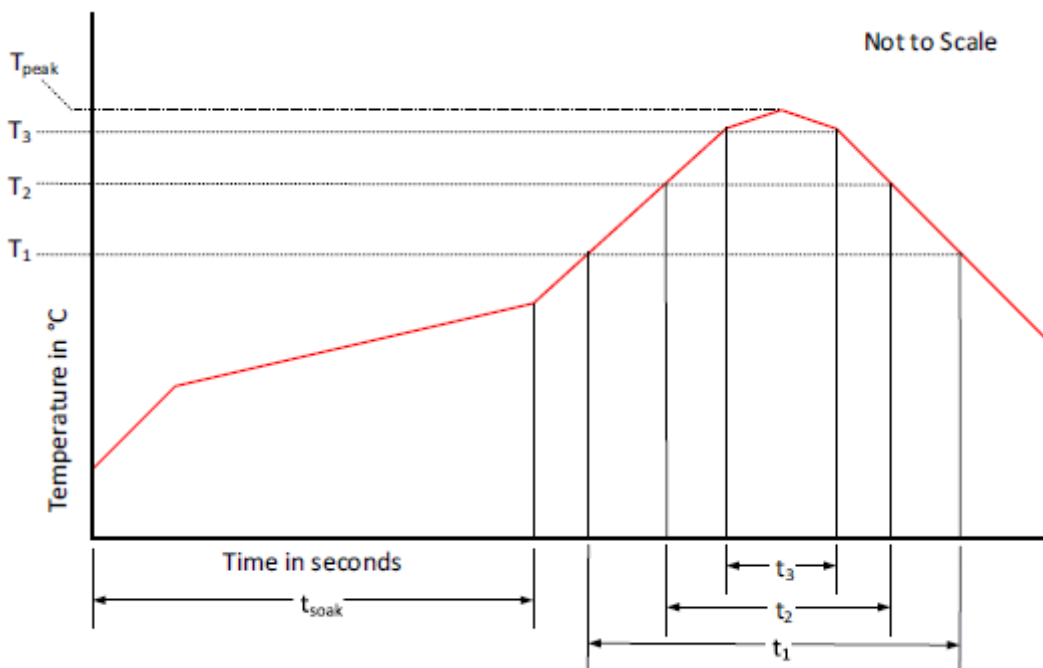
Solder Reflow Profile

The module has been tested and has demonstrated an ability to be reflow soldered to a PCB substrate. The solder reflow profile describes the expected maximum heat exposure of components during the solder reflow process of product on a PCB.

Temperature is measured on top of component. The components should be limited to a maximum of three passes through this solder reflow profile.

Figure 34: Recommended Reflow Soldering Profile

Profile Feature	Reference	Device
Average temperature gradient in preheating		2.5°C/s
Soak Time	t_{SOAK}	2 to 3 minutes
Time above 217°C (T1)	t_1	Max 60s
Time above 230°C (T2)	t_2	Max 50s
Time above $T_{peak} - 10^\circ\text{C}$ (T3)	t_3	Max 10s
Peak temperature in reflow	T_{peak}	260°C
Temperature gradient in cooling		Max - 5°C/s



Manufacturing Process Considerations

The AS7211 package is compatible with standard reflow no-clean and cleaning processes including aqueous, solvent or ultrasonic techniques. However, as an open-aperture device, precautions must be taken to avoid particulate or solvent contamination as a result of any manufacturing processes, including pick and place, reflow, cleaning, integration assembly and/or testing. Temporary covering of the aperture is allowed. To avoid degradation of accuracy or performance in the end product, care should be taken that any temporary covering and associated sealants/debris are thoroughly removed prior to any optical testing or final packaging.

Storage Information

Moisture Sensitivity Optical characteristics of the device can be adversely affected during the soldering process by the release and vaporization of moisture that has been previously absorbed into the package. To ensure the package contains the smallest amount of absorbed moisture possible, each device is baked prior to being dry packed for shipping. Devices are dry packed in a sealed aluminized envelope called a moisture-barrier bag with silica gel to protect them from ambient moisture during shipping, handling, and storage before use.

Shelf Life

The calculated shelf life of the device in an unopened moisture barrier bag is 12 months from the date code on the bag when stored under the following conditions:

- Shelf Life: 12 months
- Ambient Temperature: <40°C
- Relative Humidity: <90%

Rebaking of the devices will be required if the devices exceed the 12 month shelf life or the Humidity Indicator Card shows that the devices were exposed to conditions beyond the allowable moisture region.

Floor Life

The module has been assigned a moisture sensitivity level of MSL 3. As a result, the floor life of devices removed from the moisture barrier bag is 168 hours from the time the bag was opened, provided that the devices are stored under the following conditions:



- Floor Life: 168 hours
- Ambient Temperature: <math><30^{\circ}\text{C}</math>
- Relative Humidity: <math><60\%</math>

If the floor life or the temperature/humidity conditions have been exceeded, the devices must be rebaked prior to solder reflow or dry packing.

Rebaking Instructions

When the shelf life or floor life limits have been exceeded, rebake at 50°C for 12 hours.

PRELIMINARY

Ordering & Contact Information

Figure 35: AS7211 Ordering Information ⁽¹⁾

Ordering Code	Description	Delivery Form	Package
AS7211-BLGT	Smart Lighting Manager with integrated Daylight Sensor, Control Interfaces and Network Access	Tape & Reel (2000 pcs/reel)	20-pin LGA

⁽¹⁾ Notes:

- Required companion 4Mb serial Flash memory (must be ams verified) is ordered from the Flash memory supplier (e.g. AT25SF041-SSHD-B from Adesto Technologies)
- AS7211 Flash memory software is available from ams

Online product information is available at www.ams.com/AS7211

Buy our products or get free samples online at:

www.ams.com/ICdirect

Technical Support is available at:

www.ams.com/Technical-Support

Provide feedback about this document at:

www.ams.com/Document-Feedback

For further information and requests, e-mail us at:

ams_sales@ams.com

For sales offices, distributors and representatives, please visit:

www.ams.com/contact

Headquarters

ams AG

Tobelbaderstrasse 30

8141 Premstaetten

Austria, Europe

Tel: +43 (0) 3136 500 0

Website: www.ams.com



RoHS Compliant & ams Green Statement

RoHS: The term RoHS compliant means that ams AG products fully comply with current RoHS directives. Our semiconductor products do not contain any chemicals for all 6 substance categories, including the requirement that lead not exceed 0.1% by weight in homogeneous materials. Where designed to be soldered at high temperatures, RoHS compliant products are suitable for use in specified lead-free processes.

ams Green (RoHS compliant and no Sb/Br): ams Green defines that in addition to RoHS compliance, our products are free of Bromine (Br) and Antimony (Sb) based flame retardants (Br or Sb do not exceed 0.1% by weight in homogeneous material).

Important Information: The information provided in this statement represents ams AG knowledge and belief as of the date that it is provided. ams AG bases its knowledge and belief on information provided by third parties, and makes no representation or warranty as to the accuracy of such information. Efforts are underway to better integrate information from third parties. ams AG has taken and continues to take reasonable steps to provide representative and accurate information but may not have conducted destructive testing or chemical analysis on incoming materials and chemicals. ams AG and ams AG suppliers consider certain information to be proprietary, and thus CAS numbers and other limited information may not be available for release.

Copyrights & Disclaimer

Copyright ams AG, Tobelbader Strasse 30, 8141 Premstaetten, Austria-Europe. Trademarks Registered. All rights reserved. The material herein may not be reproduced, adapted, merged, translated, stored, or used without the prior written consent of the copyright owner.

Devices sold by ams AG are covered by the warranty and patent indemnification provisions appearing in its General Terms of Trade. ams AG makes no warranty, express, statutory, implied, or by description regarding the information set forth herein. ams AG reserves the right to change specifications and prices at any time and without notice. Therefore, prior to designing this product into a system, it is necessary to check with ams AG for current information. This product is intended for use in commercial applications. Applications requiring extended temperature range, unusual environmental requirements, or high reliability applications, such as military, medical life-support or life-sustaining equipment are specifically not recommended without additional processing by ams AG for each application. This product is provided by ams AG "AS IS" and any express or implied warranties, including, but not limited to the implied warranties of merchantability and fitness for a particular purpose are disclaimed.

ams AG shall not be liable to recipient or any third party for any damages, including but not limited to personal injury, property damage, loss of profits, loss of use, interruption of business or indirect, special, incidental or consequential damages, of any kind, in connection with or arising out of the furnishing, performance or use of the technical data herein. No obligation or liability to recipient or any third party shall arise or flow out of ams AG rendering of technical or other services.

Document Status

Document Status	Product Status	Definition
Product Preview	Pre-Development	Information in this datasheet is based on product ideas in the planning phase of development. All specifications are design goals without any warranty and are subject to change without notice
Preliminary Datasheet	Pre-Production	Information in this datasheet is based on products in the design, validation or qualification phase of development. The performance and parameters shown in this document are preliminary without any warranty and are subject to change without notice
Datasheet	Production	Information in this datasheet is based on products in ramp-up to full production or full production which conform to specifications in accordance with the terms of ams AG standard warranty as given in the General Terms of Trade.
Datasheet (Discontinued)	Discontinued	Information in this datasheet is based on products which conform to specifications in accordance with the terms of ams AG standard warranty as given in the General Terms of Trade, but these products have been superseded and should not be used for new designs

Revision Information

v0-92	Page
Preliminary Datasheet	-