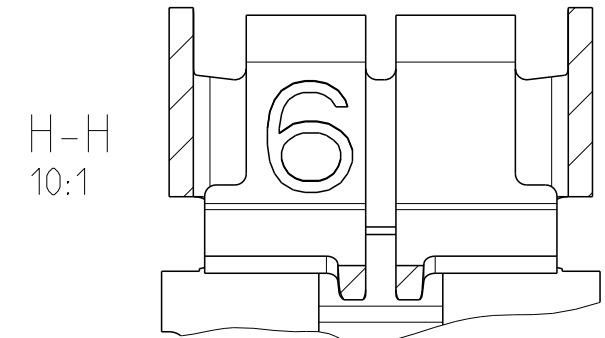
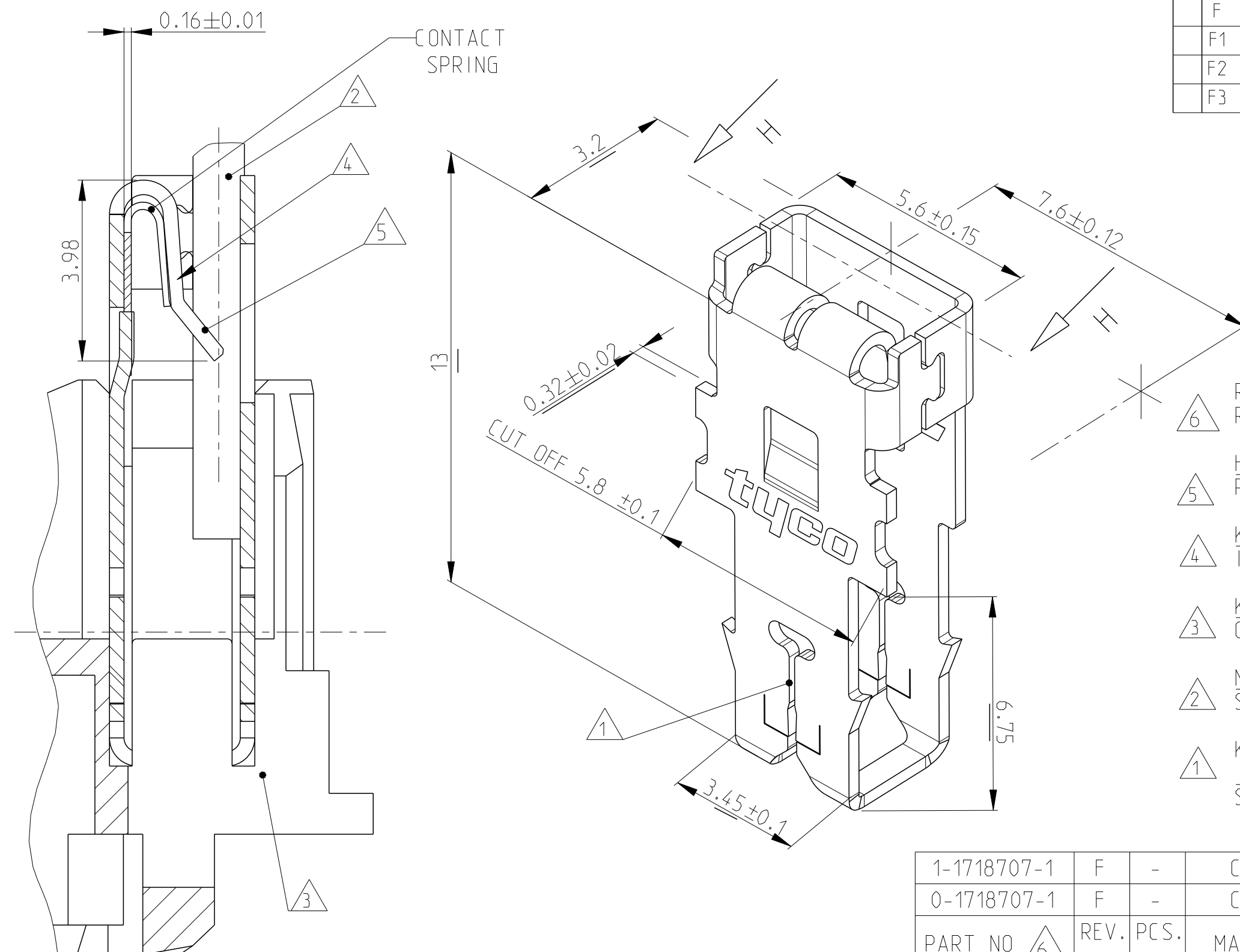


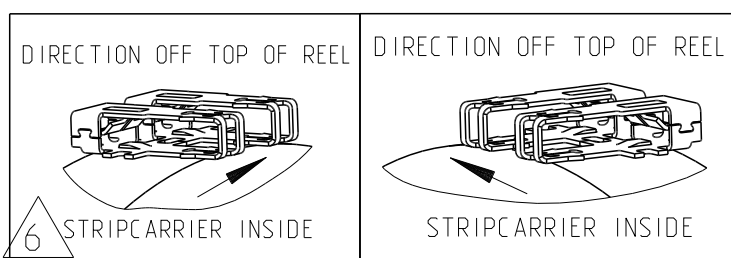
THIS DRAWING IS UNPUBLISHED. RELEASED FOR PUBLICATION 2003
 © COPYRIGHT 2003 ALL RIGHTS RESERVED.

LOC	DIST	REVISIONS			
P	LTR	DESCRIPTION	DATE	DWN	APVD
	F	SPRING CHANGED	08SEP2005	Ba.	T.G
	F1	PROD. AND APPL. SPEC UPDATED	12AUG2011	PKS	RRP
	F2	NOTE 1 UPDATED	08NOV2011	PKS	RRP
	F3	NOTE 1 UPDATED FOR AL WIRE RANGE	04SEP2013	PKS	RRP



- △ 6 Reelrichtung mit Vorstrichzahl (1-)
REEL DIRECTION WITH PREFIX (1-) ONLY
- △ 5 Haltekraft Kontaktfeder: min 20N
PULL OFF FORCE CONTACTSPRING: min 20N
- △ 4 Kennziffer fuer Lackdrahtbereich (6)
IDENTIFICATION NO. FOR MAGNET WIRE RANGE (6)
- △ 3 Kontakt-Kammer nach Zeichnung EGGJN03538-0010
CAVITY ACCORDING DWG EGGJN03538-0010
- △ 2 Massivleitung 0,5mm² ... 1,0mm²
SOLID WIRE 0.5mm² ... 1.0mm²
- △ 1 Kontakte geeignet fuer Cu-Lackdraht Ø0.26...0.39mm
Al-Lackdraht Ø0.32...0.45mm
SLOT ACCEPTS: Cu MAGNET WIRE Ø0.26...0.39mm
Al MAGNET WIRE Ø0.32...0.45mm

1-1718707-1	F	-	CuNiSi	Pretinned	MAG MATE TERMINAL	-
0-1718707-1	F	-	CuNiSi	Pretinned	MAG MATE TERMINAL	-
PART NO △ 6	REV.	PCS.	MATERIAL	SURFACE COLOR	DESCRIPTION	ITEM NO



THIS DRAWING IS A CONTROLLED DOCUMENT.

DIMENSIONS: mm	TOLERANCES UNLESS OTHERWISE SPECIFIED: 0 PLC ± 1 PLC ± 2 PLC ± 3 PLC ± 4 PLC ± ANGLES ±1°		} ±0.2	DWN T.Tschoeke 20JAN2004	TE Connectivity
MATERIAL CuNiSi/SPRING STEEL	FINISH PRETINNED/PLAIN			CHK H.Ploesser 20JAN2004	
				PRODUCT SPEC 108-2012	NAME MAG MATE TERMINAL WITH WIRE LOCKING FEATURE
				APPLICATION SPEC 114-2046	RESTRICTED TO
				WEIGHT -	SIZE A3
				Customer Drawing	CAGE CODE 00779
				SCALE 10:1	DRAWING NO C-1718707
				SHEET 1	OF 1
				REV F3	