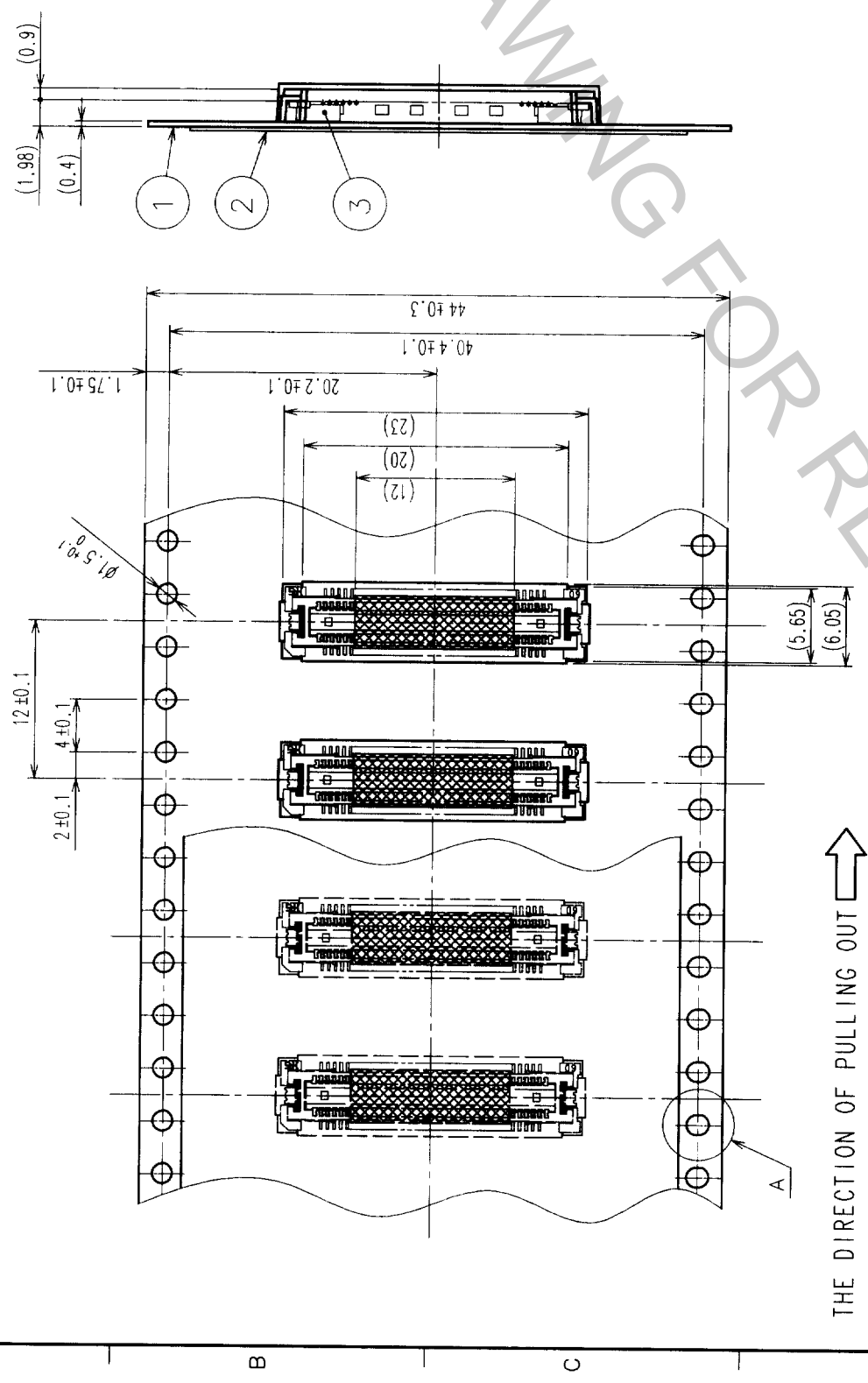
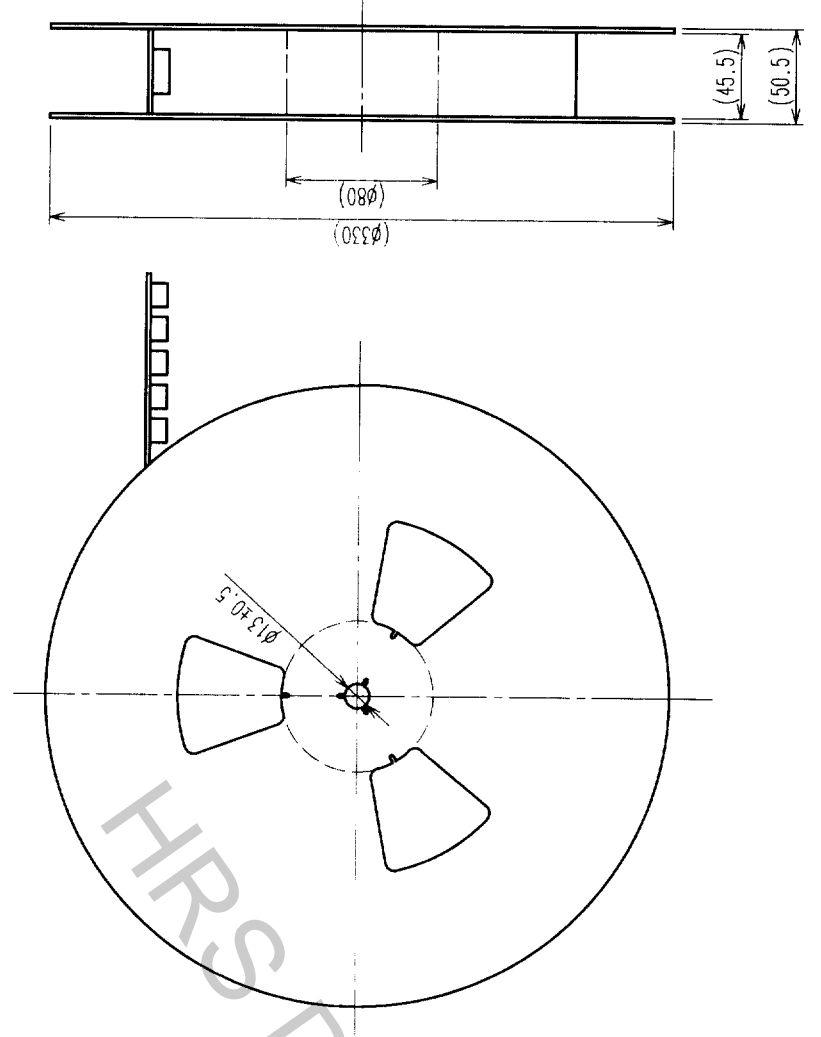


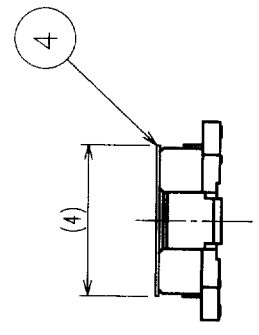
| COUNT | DESCRIPTION OF REVISIONS | BY | CHKD | DATE | COUNT | DESCRIPTION OF REVISIONS | BY | CHKD | DATE |
|-------|--------------------------|----|------|------|-------|--------------------------|----|------|------|
| △ | | | | | △ | | | | |
| △ | | | | | △ | | | | |
| △ | | | | | △ | | | | |



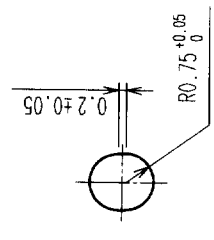
REELED DIMENSION (Free)



DETAIL FOR VACUUM PICKUP (5:1)



A (5:1)



- NOTES
- 1 REEL: 1000 CONNECTORS.
 - 2 MINIMUM 10 COMPARTMENTS FROM BOTH REEL ENDS REMAIN EMPTY.
 - 3 THIS PRODUCT HAS NO POLARITY TO TAPE AND REEL PACKAGING.

| 2 | PET | TOP COVER TAPE | 4 | POLYIMIDE | (TAPE FOR VACUUM PICKUP) |
|---------------------|----------|-----------------------|-------------------------------|-------------|--------------------------|
| 1 | PS | EMBOSSED CARRIER TAPE | 3 | (CONNECTOR) | |
| NO. | MATERIAL | FINISH, REMARKS | NO. | MATERIAL | FINISH, REMARKS |
| CODE NO. (OLD) | CL | | DRAWN | DESIGNED | CHECKED |
| | | | APPROVED | APPROVED | RELEASED |
| DRAWING FOR PACKING | | | DRAWING NO. FX11LB-68P-SV(22) | | |
| SCALE 2:1 | | | PART NO. EDC3-152104-02 | | |
| UNITS mm | | | CODE NO. CL573-0052-5-22 | | |
| HRS | | | HIROSE ELECTRIC CO., LTD | | |

| | |
|-----|--|
| TO | |
| PCK | |