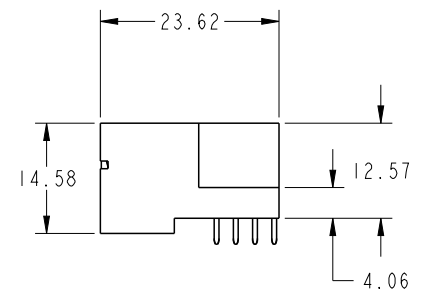
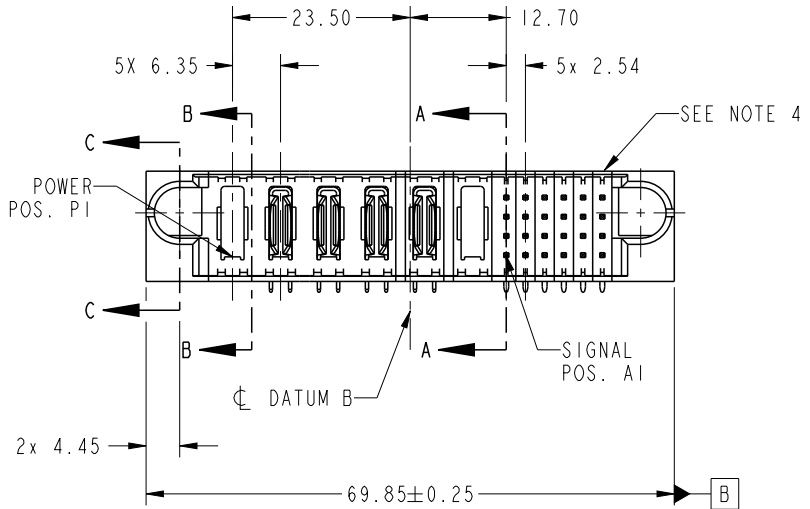


| | | | | | | | | | | | | | |
|-----------------------|------------------|-------|----|----|----|----|----|--------|---------|-----------|----------|---------|---|
| PRODUCT NO. | ROWS | POWER | | | | | | SIGNAL | | | | | |
| | | E1 | P1 | P2 | P3 | P4 | P5 | P6 | 1 | 2 | 3 | 4 | 5 |
| 51939-802-- NOTE 3 | D C B A | | X | PA | PA | PA | PA | X | UUUUUUU | TTTTTTTTT | SSSSSSSS | RRRRRRR | |



| CODE | DIM "M" MATING LENGTH | CONTACT TYPE |
|------|-----------------------|--------------|
| U | [6.86] | SIGNAL |
| T | [6.86] | SIGNAL |
| S | [6.86] | SIGNAL |
| R | [6.86] | SIGNAL |
| PA | [N/A] | POWER |
| X | OMITTED | |



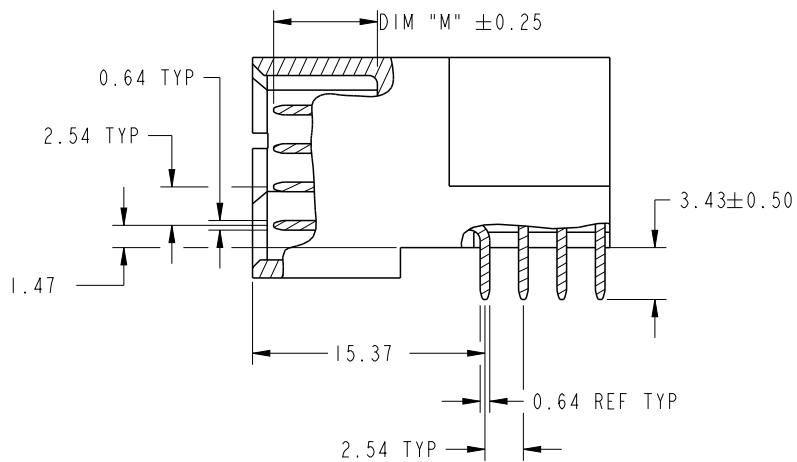
Copyright FCI.

| | | | | | | | | | | |
|---------------------------------------|------------|------|----------------|-------------|----------------|----------|------------------------|--------------|-------|-----|
| spec ref | * | dr | Jackie Huang | 2013/08/06 | projection | MM ←→ | size | A4 | scale | 1:1 |
| tolerance std | ASME Y14.5 | eng | Jackie Huang | 2013/11/08 | | | ecn no | - | | |
| TOLERANCES UNLESS OTHERWISE SPECIFIED | | chr | - | - | | | rel level | Released | | |
| surface | ✓ | appr | Pei-Ming Zheng | 2013/11/08 | product family | PwrBlade | rev | A | | |
| ASME Y14.5 | linear | 0.X | ±0.5 | FCI | title | 6P+24S | dwg no | 51939-802 | | |
| | | 0.XX | ±0.25 | | | | | | | |
| | angular | 0° | ±2° | www.fci.com | cat. no. | - | Product - Customer Drw | sheet 1 of 4 | | |

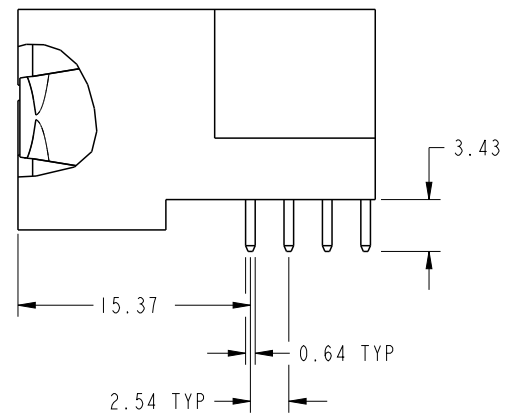
PrdE File - REV C - 2009-06-09

PRODUCT NUMBER

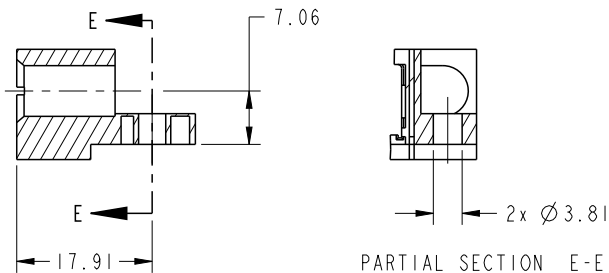
51939-802--
NOTE: 3



BROKEN-OUT SECTION A-A
SCALE 2:1

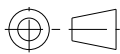




BROKEN-OUT SECTION B-B
SCALE 2:1



PARTIAL SECTION E-E

SECTION C-C

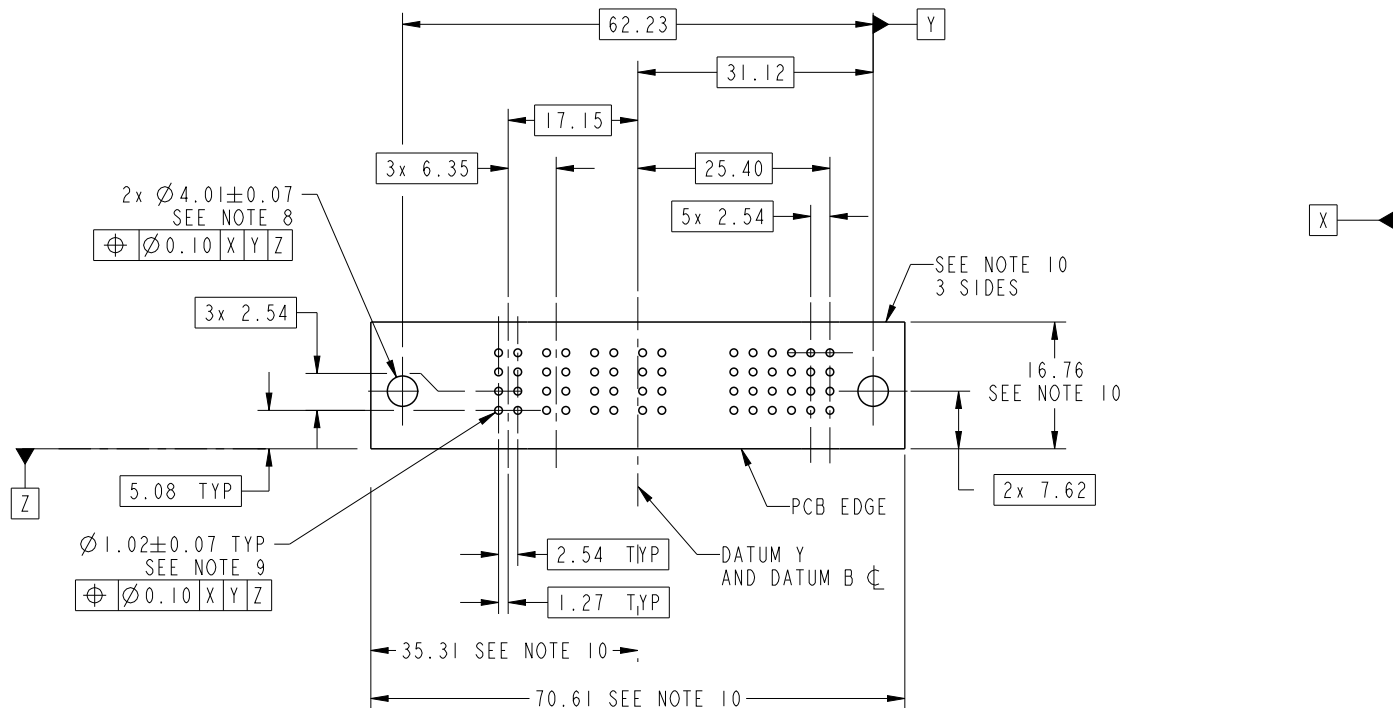
| | | | | | | | | | |
|---|----------------|----------------------------------|---|---|-------------|----------|-------|------------------------|--------------|
| dr | Jackie Huang | 2013/08/06 | projection  | MM  | size | A4 | scale | 1:1 | |
| eng | Jackie Huang | 2013/11/08 | | | ecn no | - | | | |
| chr | - | - | | | rel level | Released | | | |
| appr | Pei-Ming Zheng | 2013/11/08 | product family | PwrBlade | rev | A | | | |
|  | title | 6P+24S RIGHT ANGLE STB HEADER | dwg no | 51939-802 | www.fci.com | cat. no. | - | Product - Customer Drw | sheet 2 of 4 |



Copyright FCI.

PRODUCT NUMBER

51939-802__
NOTE: 3



RECOMMENDED PCB LAYOUT

| | | | | | | | | |
|-------------|----------------|----------------------------------|------------------------|----------|--------------|----------|-------|-----|
| dr | Jackie Huang | 2013/08/06 | projection | MM | size | A4 | scale | 1:1 |
| eng | Jackie Huang | 2013/11/08 | | | ecn no | - | | |
| chr | - | - | | | rel level | Released | | |
| appr | Pei-Ming Zheng | 2013/11/08 | product family | PwrBlade | | | | |
| | title | 6P+24S RIGHT ANGLE STB HEADER | | dwg no | 51939-802 | | rev | A |
| www.fci.com | cat. no. | - | Product - Customer Drw | | sheet 3 of 4 | | | |

PRODUCT NUMBER

51939-802__
NOTE: 3

NOTES:

1. DIMENSIONS AND TOLERANCES ARE IN ACCORDANCE WITH ASME Y14.5M, 1994 UNLESS OTHERWISE SPECIFIED.

CONNECTOR NOTES:

- 2. HOUSING MATERIAL: UL 94 V-0 GLASS FILLED HIGH-TEMP THERMOPLASTIC
POWER CONTACT MATERIAL: COPPER ALLOY
SIGNAL PIN MATERIAL: COPPER ALLOY
- 3. SEE ITEM 1 & 2 IN PRINT 10064183 FOR PLATING SPEC OF 51939-802 AND 51939-802LF RESPECTIVELY.
- 4. MANUFACTURER'S NAME, DATE CODE AND OPTIONAL P/N TO APPEAR ON THIS SURFACE. THE MARK CAN BE OMITTED IF THERE IS NOT ENOUGH SPACE ON THIS SURFACE.
- 5. PRODUCT SPECIFICATION GS-12-149.
APPLICATION SPECIFICATION BUS-20-067.
- 6. PACKAGED IN TRAYS.

PCB NOTES:

- 7. ALL HOLE DIAMETERS ARE FINISHED HOLE SIZE.
- 8. MOUNTING HOLES, WHERE APPLICABLE, ARE UNPLATED.
- 9. $\varnothing 1.151 \pm 0.025$ DRILLED HOLES PLATED WITH
0.008 MIN SnPb OR Sn OVER 0.03
TO 0.08 Cu PLATING TO ACHIEVE
 $\varnothing 1.02 \pm 0.07$ HOLE.
- 10. CONNECTOR KEEP-OUT ZONE.



Copyright FCI.

| | | | | | | | | |
|-------------|----------------|----------------------------------|------------------------|----------|-----------|--------------|-------|-----|
| dr | Jackie Huang | 2013/08/06 | projection | MM | size | A4 | scale | 1:1 |
| eng | Jackie Huang | 2013/11/08 | | | ecn no | - | | |
| chr | - | - | | | | | | |
| appr | Pei-Ming Zheng | 2013/11/08 | product family | PwrBlade | rel level | Released | | |
| | title | 6P+24S RIGHT ANGLE STB HEADER | | dwg no | 51939-802 | | rev | A |
| www.fci.com | cat. no. | - | Product - Customer Drw | | | sheet 4 of 4 | | |