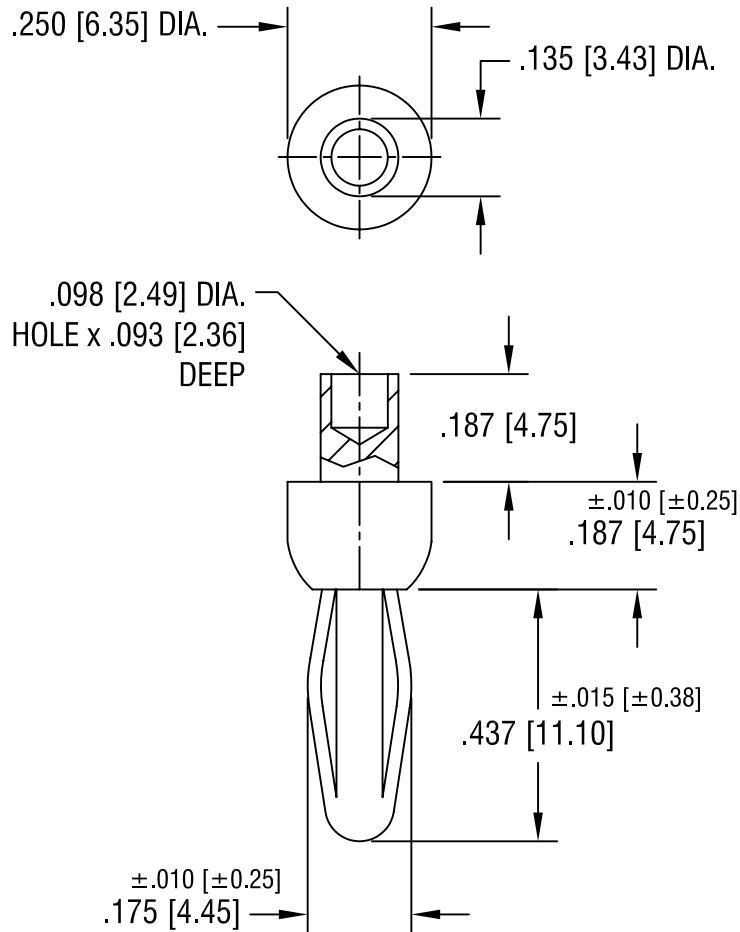


THIS DOCUMENT IS THE PROPERTY OF
KEYSTONE ELECTRONICS CORP. AND
SHALL NOT BE REPRODUCED, DISTRIBUTED
OR USED AS A BASIS FOR MANUFACTURE
WITHOUT PRIOR WRITTEN PERMISSION
FROM KEYSTONE ELECTRONICS CORP.



NOTES:

1. SPRING: MAT'L - BERYLLIUM COPPER
BODY: MAT'L - BRASS

KEYSTONE ELECTRONICS CORP.

ASTORIA, N.Y. 11105-2017

PART NAME

STANDARD RIVET BANANA PLUG

MATERIAL

AS NOTED

FINISH

NICKEL PLATE

DRN BY

BOONE

DATE

2.16.82

APP'D

LN

SCALE

3X

1.2.03 CHANGE AS PER ECN 03-001

D

TOLERANCES

INCH [MM]

DECIMAL ±.005 [±0.15]

CODE

C

DWG NO.

552-3

DATE

DESCRIPTION

REV.