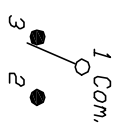
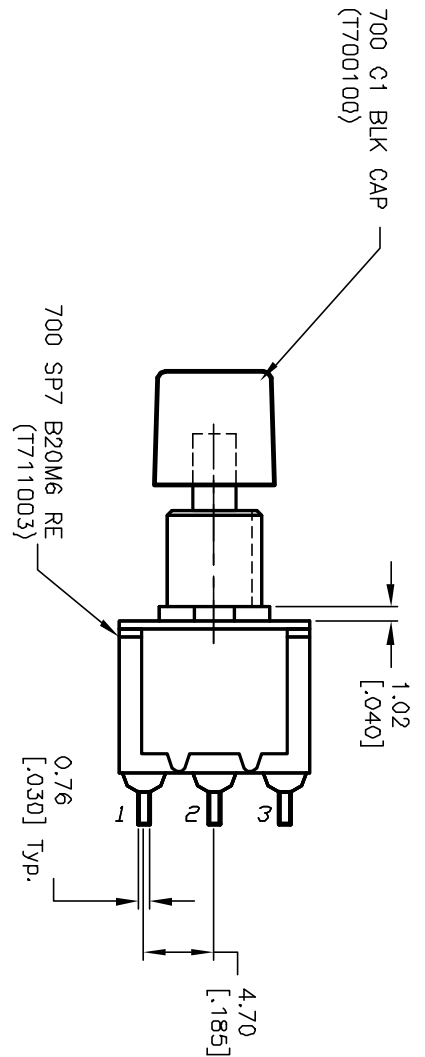


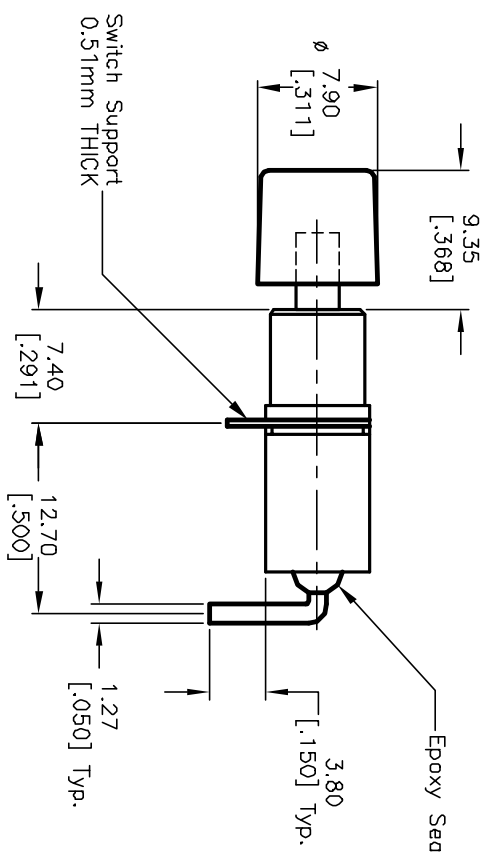
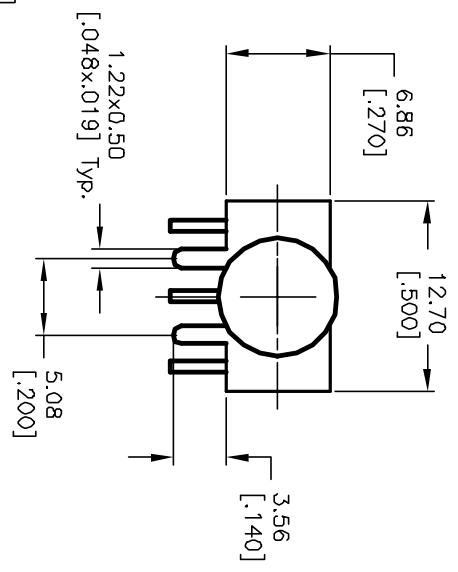
RECOMMENDED P.C.B. LAYOUT



CIRCUIT, SPDT

SWITCH FUNCTION	
DN	<DN>
1-3	1-2

() = MOMENTARY



NOTES:

1. ALL DIMENSIONS IN MM [INCH]
2. GENERAL TOLERANCE: X.X=±0.4 X.XX=±0.25
3. TERM. NOS. FOR REF. ONLY
4. RATING: 0.4VA @20V AC or DC max.
5. FIXED TERM. & MOVING CONTACT:
Copper Alloy W/Gold Plate
6. ELECTRICAL LIFE: 50,000 make-and-break cycles at full load.
7. INSULATION RESISTANCE: 1,000M ohm min.
8. DIELECTRIC STRENGTH: 1,000V RMS @sea level.
9. OPERATING TEMP.: -30°C to 85°C.



A		11610	RELEASED FOR PRODUCTION	8/10/01	CB	TITLE		700 SP-7 B20 M6 R E /C1 BLK	SCALE	2:1	DATE	8/10/01	DR	CB	DWG	XT00894	REV	A
REV.	ECN No.	DESCRIPTION		DATE	CHK'D	TITLE			SCALE		DATE		DR		DWG		REV	

THE INFORMATION CONTAINED IN THIS DOCUMENT IS PROPRIETARY TO E-SWITCH AND IS NOT TO BE COPIED OR TRANSMITTED