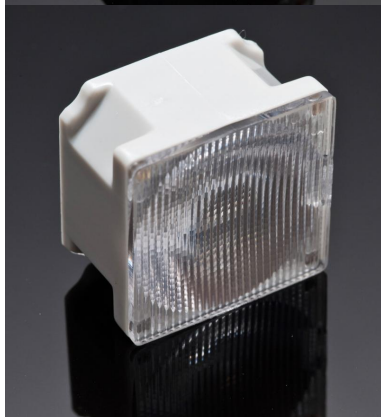


**Product number FCA10328\_CRS-SS**

Family	Rose	FWHM	12 degrees
Type	Assembly	Efficiency	-
LED	XR-E	cd/lm	13.650
Color	Grey	Gerber File	Available
Diameter	21.6 + 21.6 mm		
Height	13.8 mm		
Style	Square		
Optic Material	PC		
Holder Material	-		
Fastening	["tape"]		
Status	Production ready		

**Product number FA11147\_CRS-O-90**

Family	Rose	FWHM	12+48 degrees
Type	Assembly	Efficiency	-
LED	XR-E	cd/lm	-
Color	White	Gerber File	Available
Diameter	21.6 + 21.6 mm		
Height	13.8 mm		
Style	Square		
Optic Material	PC		
Holder Material	-		
Fastening	["tape"]		
Status	Production ready		

**Product number FCA10303\_CRS-RS**

Family	Rose	FWHM	13 degrees
Type	Assembly	Efficiency	86 %
LED	XR-E	cd/lm	33.600
Color	Grey	Gerber File	Available
Diameter	21.6 + 21.6 mm		
Height	13.8 mm		
Style	Square		
Optic Material	PC		
Holder Material	-		
Fastening	["tape"]		
Status	Production ready		

**Product number FCA10304\_CRS-D**

Family	Rose	FWHM	15 degrees
Type	Assembly	Efficiency	86 %
LED	XR-E	cd/lm	7.100
Color	Grey	Gerber File	Available
Diameter	21.6 + 21.6 mm		
Height	13.8 mm		
Style	Square		
Optic Material	PC		
Holder Material	-		
Fastening	["tape"]		
Status	Production ready		

# PRODUCT DATASHEET

## Rose series

last update 8/12/2016

**Product number FCA10305\_CRS-M**

Family	Rose	FWHM	31 degrees
Type	Assembly	Efficiency	85 %
LED	XR-E	cd/lm	2.540
Color	Grey	Gerber File	Available
Diameter	21.6 + 21.6 mm		
Height	13.8 mm		
Style	Square		
Optic Material	PC		
Holder Material	-		
Fastening	["tape"]		
Status	Production ready		

**Product number FCA10306\_CRS-O**

Family	Rose	FWHM	44+13 degrees
Type	Assembly	Efficiency	78 %
LED	XR-E	cd/lm	3.200
Color	Grey	Gerber File	Available
Diameter	21.6 + 21.6 mm		
Height	13.8 mm		
Style	Square		
Optic Material	PC		
Holder Material	-		
Fastening	["tape"]		
Status	Production ready		

**Product number FA10343\_CRS-WW**

Family	Rose	FWHM	59 degrees
Type	Assembly	Efficiency	-
LED	XR-E	cd/lm	0.780
Color	Grey	Gerber File	Available
Diameter	21.6 + 21.6 mm		
Height	14.54 mm		
Style	Square		
Optic Material	PC		
Holder Material	-		
Fastening	["tape"]		
Status	Production ready		

**NOTE: The typical divergence will be changed by different color, chip size and chip position tolerance. The typical total divergence is the full angle measured where the luminous intensity is half of the peak value.**



## PRODUCT DATASHEET

### Rose series

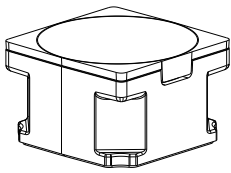
last update 8/12/2016

#### GENERAL INFORMATION

- Product series especially designed & optimized for XR-E series of LEDs.
- Special care taken to make light distribution as uniform as possible.
- Lens material optical grade PC with high UV and temperature resistance (120 degrees of Celcius / 248 degrees of Fahrenheit). Allows use of high current and temperature conditions.

Please find more information about used materials from below:

[http://ledil.fi/sites/default/files/Documents/Technical/Material/PC%20Makrolon%202400\\_2407\\_2456\\_2458-UL.pdf](http://ledil.fi/sites/default/files/Documents/Technical/Material/PC%20Makrolon%202400_2407_2456_2458-UL.pdf)

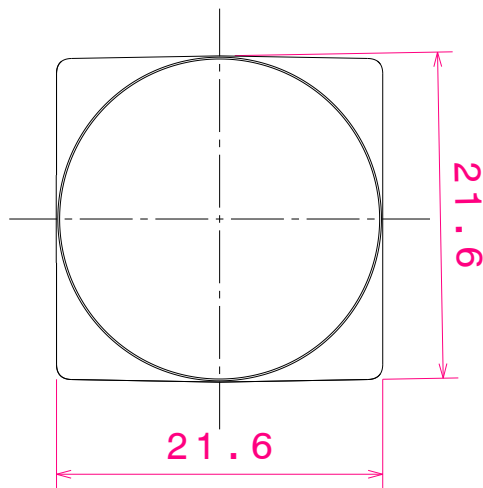
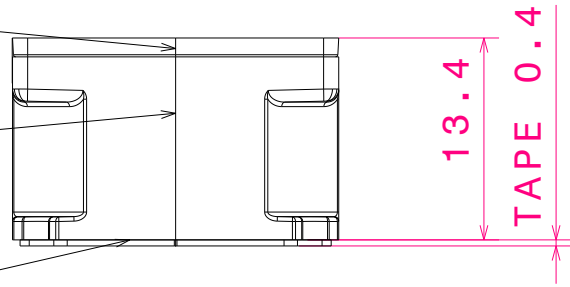


Isometric view  
Scale: 1:1

Lens ROSE

Holder

Adhesive Tape



**MATERIALS**

LENS: PC

HOLDER: PC

Tape: PU foam with PSA adhesive

This drawing is our property.  
It can't be reproduced  
or communicated without  
our written agreement.



L  
T  
F  
F

e  
e  
i  
i  
N  
n

d

**DRAWING TITLE**

Datasheet CRS assy

**DRAWN BY**

p

**DATE**

05.11.2008

**CHECKED BY**

H

**DATE**

10.10.2006

**SIZE**

A4

**DRAWING NUMBER**

**REV**

1

**DESIGNED BY**

HH

**DATE**

10.10.2006

**SCALE**

2:1

**WEIGHT (g)**

-

**SHEET**

1/1

D

A

4

4

3

3

2

2

1

1