

4

3

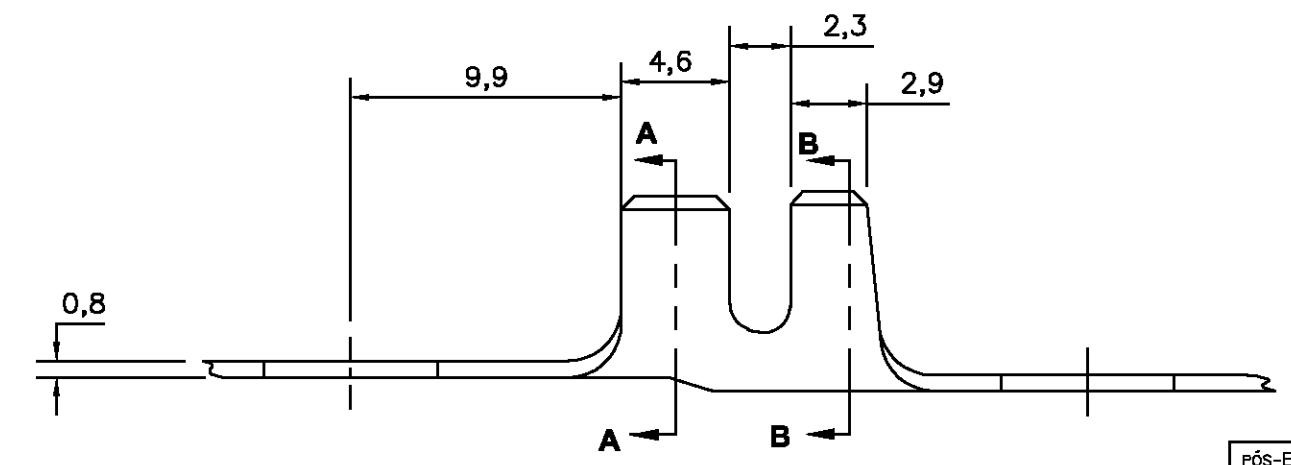
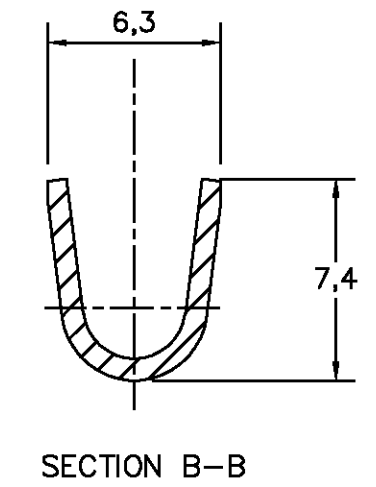
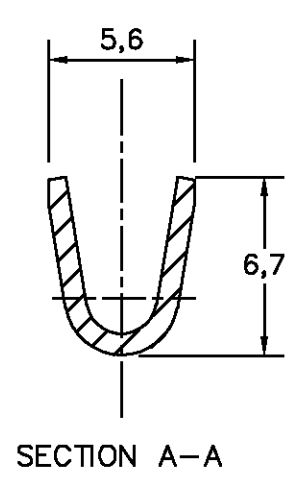
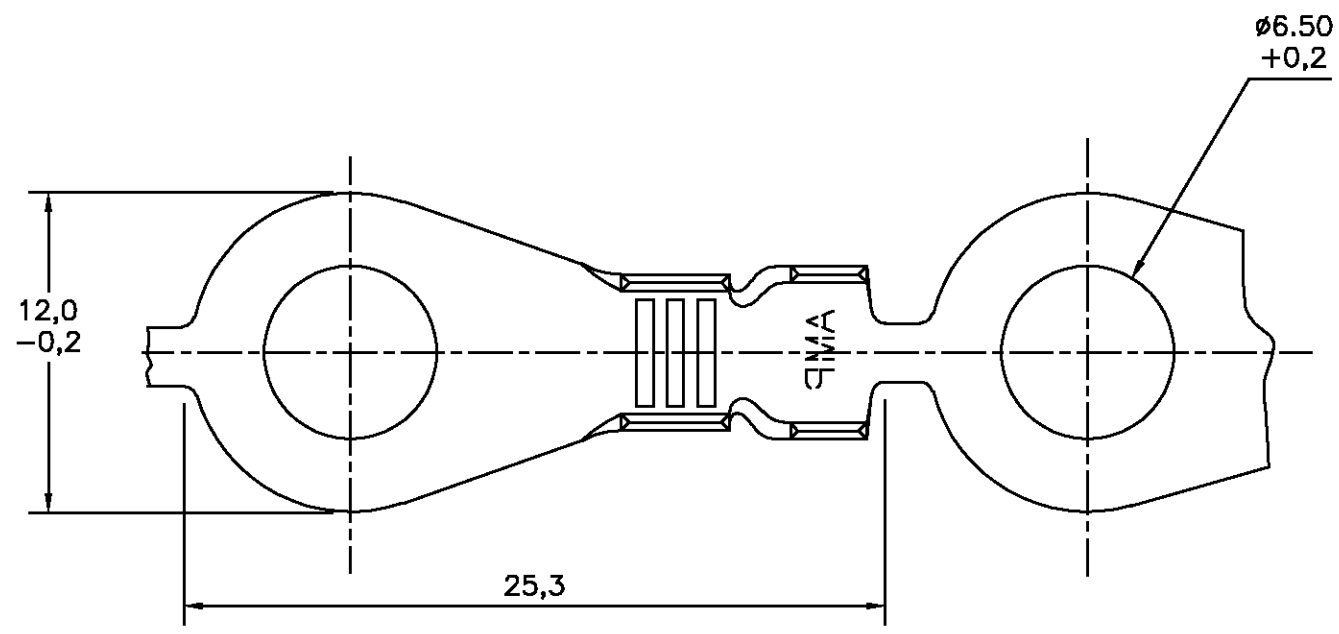
2

1

THIS DRAWING IS UNPUBLISHED. RELEASED FOR PUBLICATION
 © COPYRIGHT BY TYCO ELECTRONICS CORPORATION. ALL INTERNATIONAL RIGHTS RESERVED.

CAD
 DO NOT REVISE EXCEPT BY CAD

LOC	DIST	REVISIONS					
AP	-	P	LTR LT	DESCRIPTION DESCRICAO	DATE DATA	DWN DES	APVD APR
		G2		REDRAW BY EC 175/99		AP	PLF
		G3		REVISED DRAWING ECO-09-000247	08JAN09	NCL	MCM



1 -REBOBINAR INTERCALANDO COM PAPEL.
 -REELING WITH PAPER INTERLEAVE.

FINISH	MATERIAL	PART NUMBER
Pós-ESTANHADO / ELECTRO TIN PLATED	LATÃO / BRASS	626037-4 Δ
-----/-----	BRONZE FOSFOROSO / PHOSP. BRONZE	626037-3
Pós-ESTANHADO / ELECTRO TIN PLATED	LATÃO / BRASS	626037-2
-----/-----	LATÃO / BRASS	626037-1

WIRE RANGE (mm ²)	4 - 6
INSUL. RANGE (mm ²)	3,2 - 5,3
SURF. AREA (mm ²)	---/---
APPL. FEED	---/---
TRIMMING BURR	---/---
WDW	14,22
IDW	16,26
REELING	107 --
SPLICE	115 --

THIS DRAWING IS A CONTROLLED DOCUMENT.

DIMENSIONS: DIMENSÕES mm

TOLERANCES UNLESS OTHERWISE SPECIFIED: TOLERÂNCIA NÃO ESPECIFICADAS

0 PLC/DEC ± -
 1 PLC/DEC ± 0,3
 2 PLC/DEC ± -
 3 PLC/DEC ± -
 4 PLC/DEC ± -
 ANGLES/ANGULARES ± 1'

FINISH ACABAMENTO: SEE TABLE

MATERIAL: SEE TABLE

DWN/DES: A.PERUSSI 16JUN99
 CHK/CH: P.L.Faria
 APVD/APR: E.Grolla
 PRODUCT SPEC: ---
 APPLICATION SPEC: ---
 WEIGHT: ---

Tyco Electronics Corporation
 Sao Paulo, Brasil

NAME DESCRICAO: RING TONGUE

SIZE: A3 CAGE CODE: 00779 DRAWING NO DESENHO NO: 626037 RESTRICTED TO: ---

CUSTOMER DRAWING/DESENHO DE CLIENTE SCALE ESCALA 4:1 SHEET FOLHA 1 DE 1 REV G3