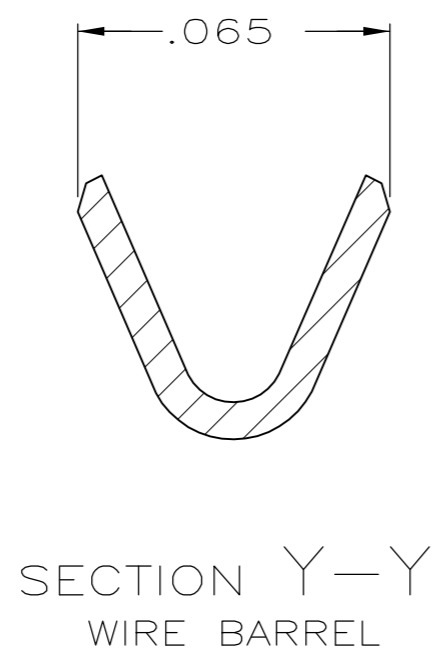
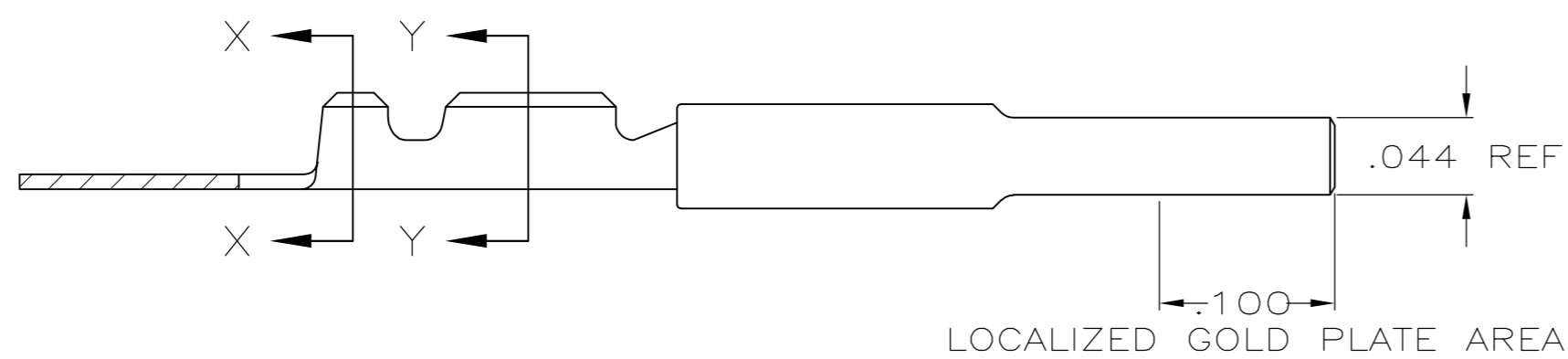
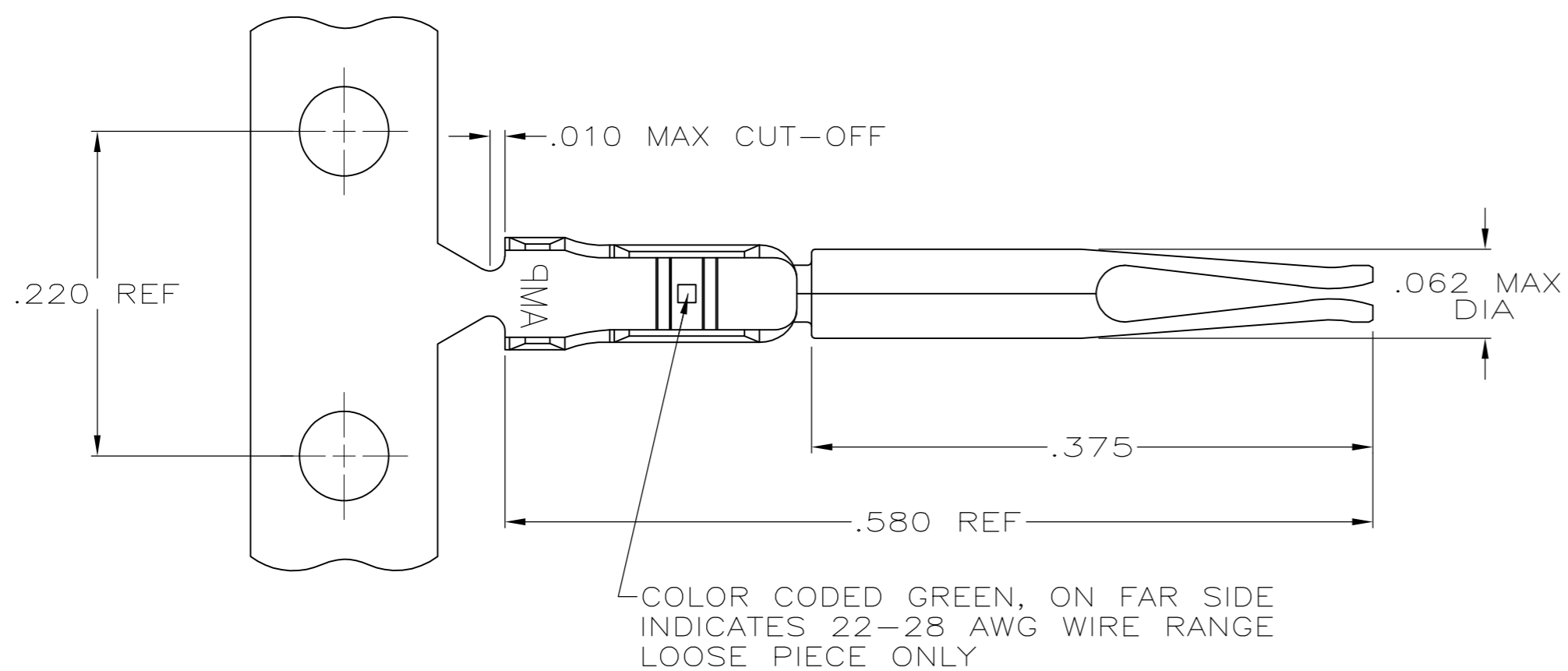


THIS DRAWING IS UNPUBLISHED. RELEASED FOR PUBLICATION
 © COPYRIGHT - By - ALL RIGHTS RESERVED.

Loc		DIST		REVISIONS			
P	LTR	DESCRIPTION		DATE	DWN	APVD	
GP	00	H1	REVISED PER ECO-11-004835		11MAR11	RK	HMR



- ① FOR MINI APPLICATOR.
- ② FOR HAND TOOL USE ONLY.
- 3. WIRE RANGE OF 22-28, INSULATION RANGE OF .030-.040.
- ④ GOLD PLATING PER MIL-G-45204, NICKEL PLATING PER QQ-N-290, TIN PLATING PER MIL-T-10727.
- ⑤ PLATED WITH .000030 GOLD IN LOCALIZED GOLD PLATE AREA, TIN PLATED WIRE BARRELS, OVER .000050 NICKEL.
- ⑥ PLATED WITH GOLD FLASH IN LOCALIZED GOLD PLATE AREA, TIN PLATED WIRE BARRELS, OVER .000030 NICKEL.
- ⑦ PLATED WITH .000050 GOLD ON INSIDE OF LOCALIZED GOLD PLATE AREA, .000050 GOLD ON REMAINDER, ALL OVER .000050 NICKEL UNDERPLATE.
- ⑧ GOLD PLATING ON THE CARRIER STRIP IS NOT REQUIRED.
- ⑨ OBSOLETE.

SMALL PACK	⑥	⑨	748610-7	⑨	1-748610-1
-	⑦	⑧	748610-9	⑨	748610-8
STANDARD	⑥	⑨	748610-7	⑨	748610-5
-	⑤	⑨	748610-4	⑨	748610-2
PACKAGING	FINISH ④	LOOSE PIECE ②	PART NUMBER ①		

DIMENSIONS: INCHES		TOLERANCES UNLESS OTHERWISE SPECIFIED:		MATERIAL		FINISH		WEIGHT		CUSTOMER DRAWING	
0 PLC	± -	1 PLC	± -	PHOS BRONZE PER	SEE TABLE	00779	④=748610	-	-	SCALE	10:1
1 PLC	± -	2 PLC	± -	QQ-B-750		A2				SHEET	1 of 1
2 PLC	± -	3 PLC	± .005							REV	H1
3 PLC	± -	4 PLC	± -								
4 PLC	± -	ANGLES	± 0° 30'								

TE TE Connectivity

NAME: V.KUMAR

SOCKET CONTACT, SIZE 22 DF, 22-28 AWG, W/.030-.040 DIA INSULATION SUPPORT

SIZE: A2 CAGE CODE: 00779 DRAWING NO: C-748610