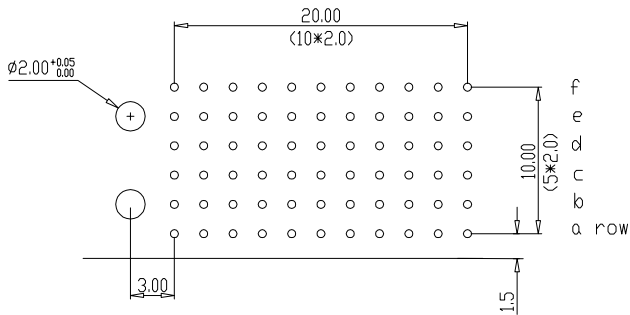
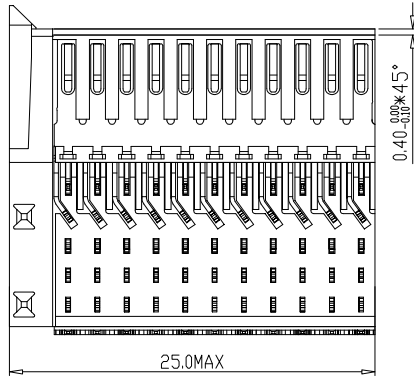
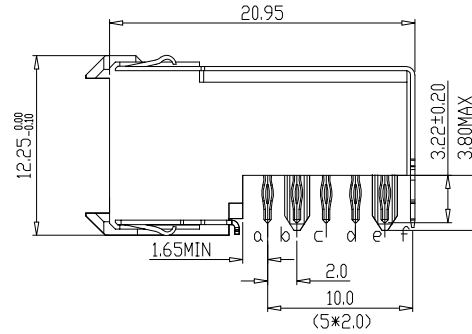
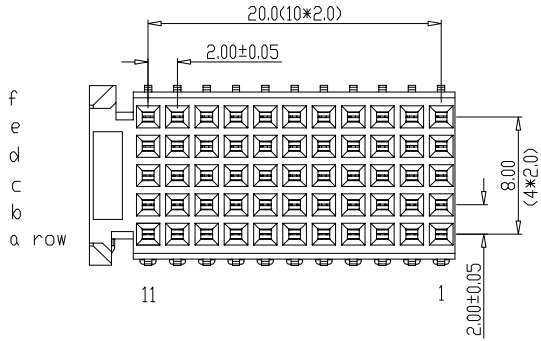




Tous droits strictement réservés. Reproduction ou communication à des tiers interdite sous quelque forme que ce soit sans autorisation écrite du propriétaire. Propriété de c FCI. Droits de reproduction FCI.

All rights strictly reserved. Reproduction or issue to third parties in any form whatever is not permitted without written authority from the proprietor. Property of FCI. Copyright FCI.



PERFORMANCE CHARACTERISTICS

- CURRENT RATING 1.5A AT 20°C (FULLY LOADED)
- 1 A AT 70°C (FULLY LOADED)
- RATED VOLTAGE : 500 V AC (CONT /CONT)
- OPERATING TEMPERATURE : -55°C TO 125°C
- CONTACT RESISTANCE 20 MΩ MAX
- INSERTION FORCE : 0.75N MAX/CONT
- EXTRACTION FORCE : 0.15N MIN/CONT
- INSULATION RESISTANCE : 10⁴ MΩ MIN

- NOTES 1: LEAD FREE INDICATOR (LF=LEAD FREE)
- PERFORMANCE LEVEL INDICATOR (REF DWG NO.BSC 201844.003)
2. THIS PRODUCT IS CSA APPROVED. THIS PRODUCT IS UL RECOGNIZED.
 3. FOR RECOMMENDED PTH DIMENSIONS REFER DRAWING : BS.A.201572.001
 4. THIS PRODUCT (LF) MEETS EUROPEAN UNION DIRECTIVES AND OTHER COUNTRY REGULATIONS AS DESCRIBED IN GS-22-008

rev	ecn no	dr	date
A	CONVERSION REVISION 05	KN	14-09-01
B	105-0085	ALEX B	02-06-05
C	DG05-0278	Kason	02-08-05
D	DG07-0362	Kason	05-09-07
E	DG10-0110	NZ	05-30-10
-	-	-	-
05	BEC 9.3546	R.M	110601

Material		Spec ref		
Mat code		✓	tolerance	projection
Heattreat			1DEC ± 0.2 1DEC 2DEC ± 0.1 2DEC ANGLES ± 1° HOEKEN	
Plating/Finish			size A4	Scale 2.000
Dr	W.Panis	07-04-92		
Eng			Product family	MILLIPACS
Chr			Model Name	ECN
Appr			Model Revision	REL Level
		title		dwg no
		MPACS 5+2R RA RCP CONN TYPE C		BSC201444003
Pro/E file		catalog no	HM2R03PA5101----	Rev. E
CUSTOMER DRAWING			sheet 1 of 1	