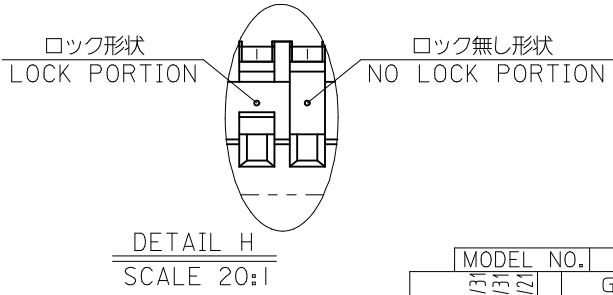
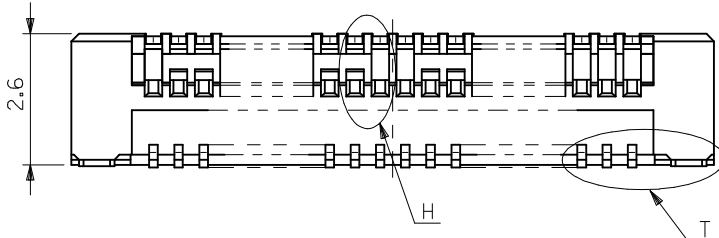
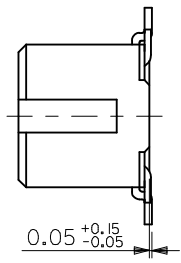
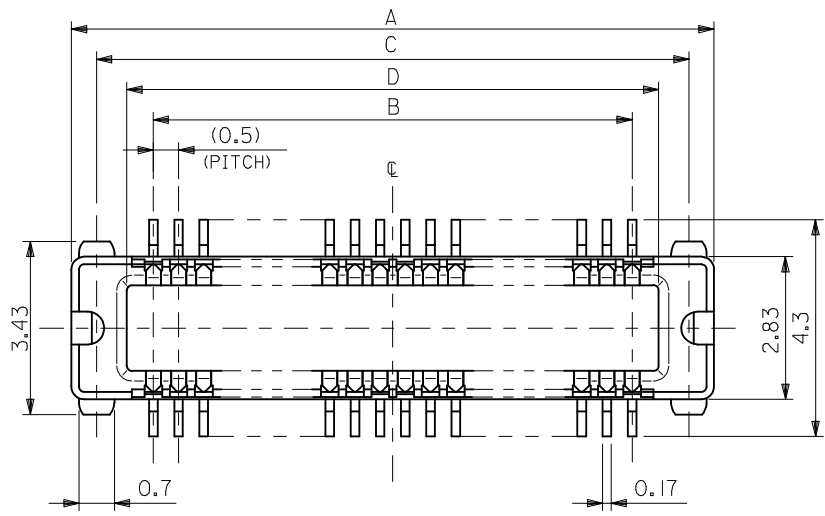


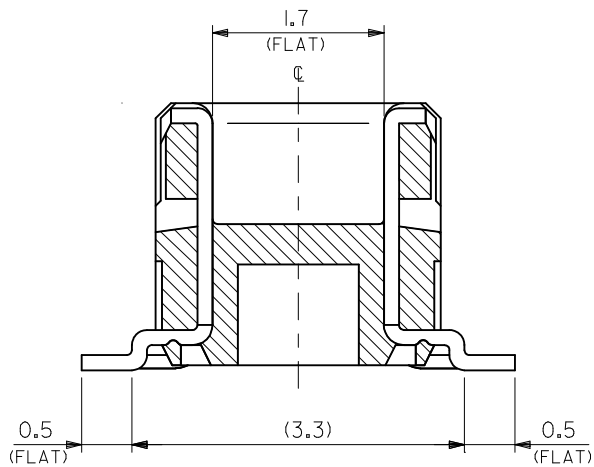
注記  
NOTES:

1. 材質  
MATERIAL  
ハウジング: LCP (液晶ポリマー)、ガラス充填、黒色、UL94V-0  
HOUSING: LCP (LIQUID CRYSTAL POLYMER), GLASS FILLED, BLACK, UL94V-0  
ターミナル: 銅合金 (t=0.15)  
TERMINAL: COPPER ALLOY (t=0.15)  
ネイル: 銅合金 (t=0.15)  
NAIL: COPPER ALLOY (t=0.15)
2. メッキ仕様  
PLATING  
ターミナル  
TERMINAL  
接点部: 金メッキ 0.25マイクロメートル以上。  
CONTACT AREA: GOLD 0.25 MICROMETER MINIMUM.  
半田付け部: 金メッキ 0.4マイクロメートル以下。  
SOLDER TAIL AREA: GOLD 0.4 MICROMETER MAXIMUM.  
下地メッキ: ニッケルメッキ 1.5マイクロメートル以上。  
UNDER PLATING: NICKEL 1.5 MICROMETER MINIMUM.  
ネイル  
NAIL  
錫メッキ 1.0マイクロメートル以上。  
TIN 1.0 MICROMETER MINIMUM.  
下地メッキ: ニッケルメッキ 1.0マイクロメートル以上。  
UNDER PLATING: NICKEL 1.0 MICROMETER MINIMUM.
3. テール平坦度は、0.08ミリメートル以下。テールとネイルを併せた平坦度は、0.1ミリメートル以下。  
TAIL COPLANARITY TO BE 0.08 MAXIMUM. TAILS AND NAILS COPLANARITY TO BE 0.1 MAXIMUM.
4. 嵌合相手: 54363-\*\*\*  
MATED CONN.: 54363-\*\*\*
5. 本製品は55299-\*\*\*1の鉛フリー品である。  
THIS PRODUCT IS LEAD FREE OF 55299-\*\*\*1

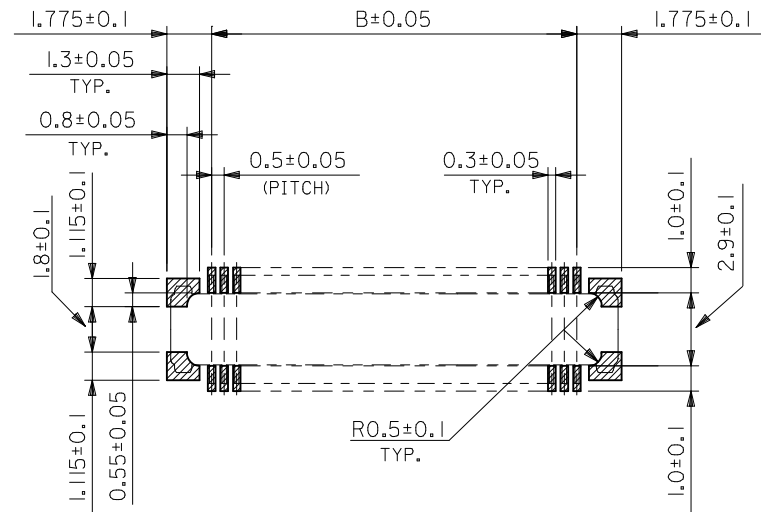


—#	35.55	36.75	34.5	37.75	55299-1478	55299-1471	140
—#	30.55	31.75	29.5	32.75	55299-1278	55299-1271	120
—#	25.55	26.75	24.5	27.75	55299-1078	55299-1071	100
20	10.55	11.75	9.5	12.75	55299-0478	55299-0471	40
30	8.05	9.25	7	10.25	55299-0378	55299-0371	30
20	5.55	6.75	4.5	7.75	55299-0278	55299-0271	20
□ツク数 LOCKS	D	C	B	A	エンボス梱包品 EMBOSSED TAPE PACKAGING	製品番号 MATERIAL NO.	極数 CIRCUITS

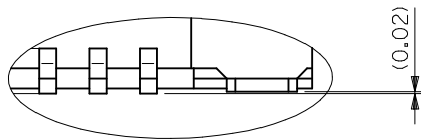
REVISED		DESCRIPTION		GENERAL TOLERANCES (UNLESS SPECIFIED)		DIMENSION STYLE		SCALE		DESIGN UNITS		THIRD ANGLE PROJECTION	
EC NO: J2009-0140		2008/07/31		10 UNDER ±0.2		MM ONLY		---		METRIC		◎ □	
DRWN: YOSHIDAM		2008/07/31		10 OVER 30 UNDER ±0.25		DRAWN BY DATE		TITLE		MOLEX INCORPORATED		SD-55299-010	
CHKD: THARUYAMA		2008/07/31		30 OVER ±0.3		M. NAGATA '04/03/09		0.5 MM PITCH B/B CONN. PLG HSG ASSY (H=3MM) -LEAD FREE-					
APPR: NUKITA		2008/11/21		ANGULAR ±3 °		CHECKED BY DATE		K. TOJO '04/03/09		DOCUMENT NO.		SHEET NO.	
REV A		REV		DRAFT WHERE APPLICABLE MUST REMAIN WITHIN DIMENSIONS		APPROVED BY DATE		M. SASAO '04/03/09		SEE TABLE		1 OF 2	
						MATERIAL NO.		THIS DRAWING CONTAINS INFORMATION THAT IS PROPRIETARY TO MOLEX INCORPORATED AND SHOULD NOT BE USED WITHOUT WRITTEN PERMISSION					



製品断面図 (半田付け部、吸着面寸法)  
DETAIL FOR SOLDERING AND VACUUM AREA



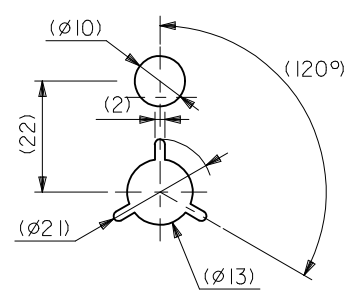
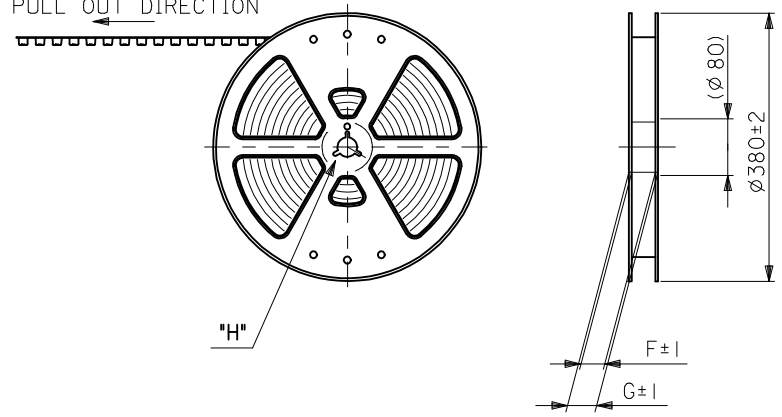
推奨基板寸法  
RECOMMENDED PCB PATTERN LAYOUT  
(SCALE 5:1)



T部詳細  
DETAIL T

REVISED EC NO: J2009-0140 DRWN: YOSHIDAM 2008/07/31 CHKD: THARUYAMA 2008/07/31 APPR: NUKITA 2008/11/21	GENERAL TOLERANCES (UNLESS SPECIFIED)		DIMENSION STYLE MM ONLY		SCALE ---	DESIGN UNITS METRIC	THIRD ANGLE PROJECTION
	10 UNDER	±0.2	DRAWN BY M. NAGATA	DATE '04/03/09	TITLE 0.5 MM PITCH B/B CONN. PLUG HOUSING ASSY(H=3MM) -LEAD FREE-		
	10 OVER 30 UNDER	±0.25	CHECKED BY K. TOJO	DATE '04/03/09	MOLEX INCORPORATED		
	30 OVER	±0.3	APPROVED BY M. SASAO	DATE '04/03/09	MATERIAL NO. SEE TABLE	DOCUMENT NO. SD-55299-010	SHEET NO. 2 OF 2
A	DESCRIPTION ANGULAR ±3 ° DRAFT WHERE APPLICABLE MUST REMAIN WITHIN DIMENSIONS	THIS DRAWING CONTAINS INFORMATION THAT IS PROPRIETARY TO MOLEX INCORPORATED AND SHOULD NOT BE USED WITHOUT WRITTEN PERMISSION					

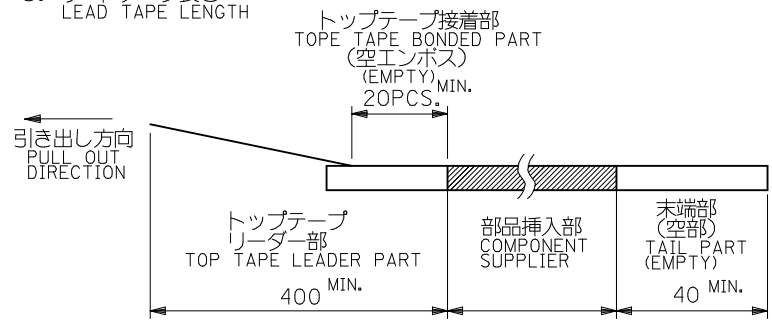
引き出し方向  
PULL OUT DIRECTION



DETAIL "H"

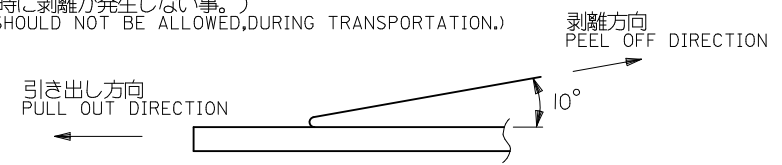
注)  
NOTES

1. 製品番号 55299-\*\*\*71 詳細寸法については、製品単体図面を参照下さい。  
IN THE PACKAGE PART NUMBER 55299-\*\*\*71 DETAILED DIMENSIONS, SEE SALES DRAWING FOR CONNECTOR.
2. 梱包数量: 2000個/リール  
NUMBER OF CONNECTORS: 2000 PCS/REEL.
3. リードテープ長さ  
LEAD TAPE LENGTH



4. トップテープの剥離強度: (剥離方向は下図参照)  
PEELING OFF FORCE OF TOP TAPE (PELLING DIRECTION AS SHOWN IN FOLLOWING FIGURE.)  
0. 1~1. 3N{ 10~130gf }

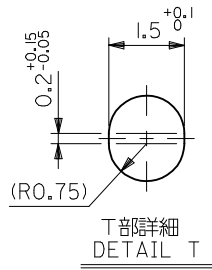
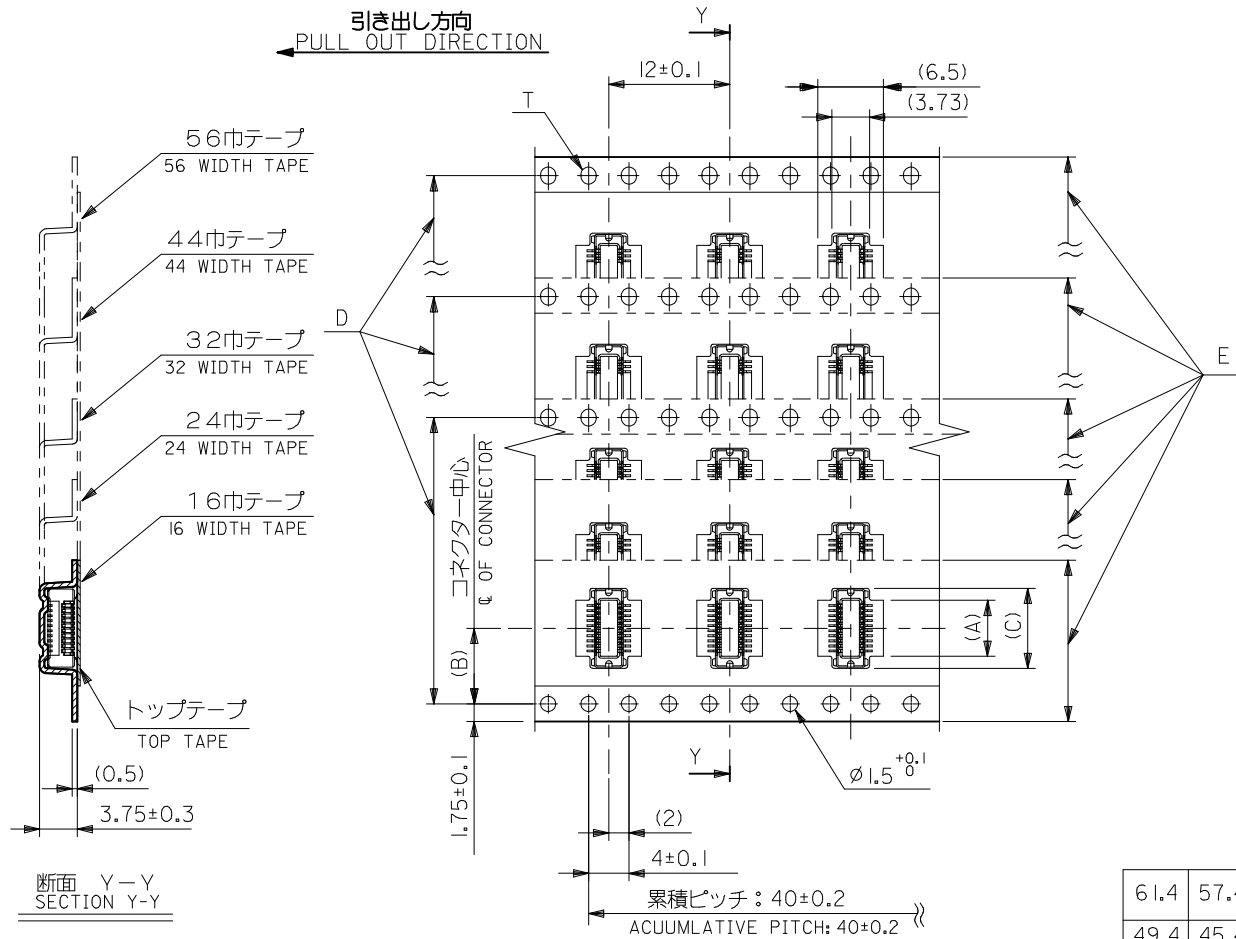
尚、本規格値は、出荷時に適用。  
THIS REQUIREMENT SHOULD BE APPLIED AT SHIPMENT.  
(但し、輸送時に剥離が発生しない事。)  
(PEEL OFF SHOULD NOT BE ALLOWED, DURING TRANSPORTATION.)



5. 材料  
MATERIAL  
キャリアテープ: ポリプロピレン (PP)  
CARRIER TAPE: POLYPROPYLENE (PP)  
トップテープ: PET, PE, PEF  
TOP TAPE: PET, PE, PEF  
リール: ポリスチレン (PS) <リサイクル材を含む>  
REEL: POLYSTYRENE (PS) <RECYCLE MATERIAL CONTAINED>

6. 本製品は55299-\*\*\*8の鉛フリー品である。  
THIS PRODUCT IS LEAD FREE OF 55299-\*\*\*8

REVISED EC NO: J2009-0140 DRWN: YOSHIDAM 2008/07/31 CHKD: THARUYAMA 2008/07/31 APPR: NUKITA 2008/11/21	GENERAL TOLERANCES (UNLESS SPECIFIED)		DIMENSION STYLE MM ONLY		SCALE ---	DESIGN UNITS METRIC	THIRD ANGLE PROJECTION	
	10 UNDER	±0.2	DRAWN BY M. NAGATA	DATE '04/03/09	TITLE 55299-***71 TAPING PACKAGE -LEAD FREE-			
	10 OVER 30 UNDER	±0.25	CHECKED BY K. TOJO	DATE '04/03/09	MOLEX INCORPORATED DOCUMENT NO. SD-55299-011 SHEET NO. 1 OF 2			
	30 OVER	±0.3	APPROVED BY H. IKESUGI	DATE '04/03/09				
ANGULAR	±3 °	MATERIAL NO. SEE TABLE						
DRAFT WHERE APPLICABLE MUST REMAIN WITHIN DIMENSIONS		THIS DRAWING CONTAINS INFORMATION THAT IS PROPRIETARY TO MOLEX INCORPORATED AND SHOULD NOT BE USED WITHOUT WRITTEN PERMISSION						



断面 Y-Y  
SECTION Y-Y

累積ピッチ: 40±0.2  
ACCUMLATIVE PITCH: 40±0.2

61.4	57.4	56±0.3	52.4	37.95	26.2	35.55	55299-1478	140	
				32.95		30.55	55299-1278	120	
49.4	45.4	44±0.3	40.4	27.95	20.2	25.55	55299-1078	100	
29.4	25.4	24±0.3	#	12.95	11.5	10.55	55299-0478	40	
				10.45		8.05	55299-0378	30	
21.4	17.4	16±0.3	#	7.95	7.5	5.55	55299-0278	20	
G	F	E キャリアテープ幅 CARRIER TAPE WIDTH		D	(C)	(B)	(A)	製品番号 MATERIAL NO.	極数 CIRCUITS

REVISED EC NO: J2009-0140 DRWN: YOSHIDAM 2008/07/31 CHKD: THARUYAMA 2008/07/31 APPR: NUKITA 2008/11/21	MODEL NO.	55299-***78	GENERAL TOLERANCES (UNLESS SPECIFIED)		DIMENSION STYLE	SCALE	DESIGN UNITS	THIRD ANGLE PROJECTION			
	DESCRIPTION	10 UNDER	±0.2	10 OVER 30 UNDER	±0.25	MM ONLY	10:1	METRIC	◎		
		30 OVER	±0.3	ANGULAR	±3 °	DRAWN BY	DATE	TITLE	55299-***71 TAPING PACKAGE -LEAD FREE-		
		DRAFT WHERE APPLICABLE MUST REMAIN WITHIN DIMENSIONS		APPROVED BY	DATE	MATERIAL NO.	DOCUMENT NO.	MOLEX INCORPORATED			
A	SIZE	A3	THIS DRAWING CONTAINS INFORMATION THAT IS PROPRIETARY TO MOLEX INCORPORATED AND SHOULD NOT BE USED WITHOUT WRITTEN PERMISSION							SEE TABLE SD-55299-011	
										SHEET NO. 2 OF 2	