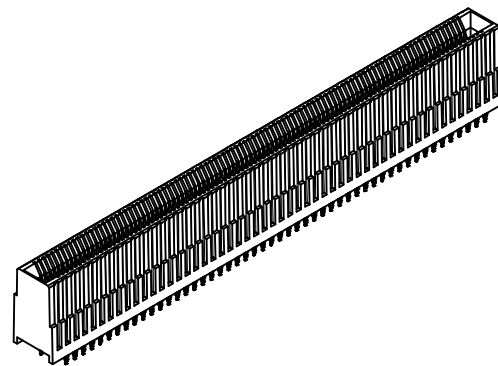
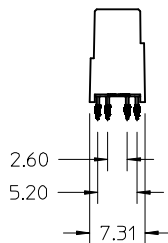
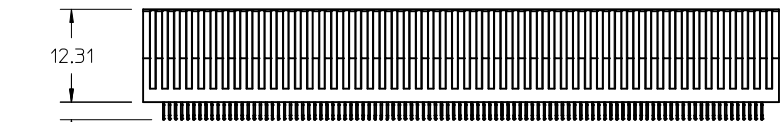


2 BAY EDGE LINE



1 BAY EDGE LINE



LAST CIRCUIT

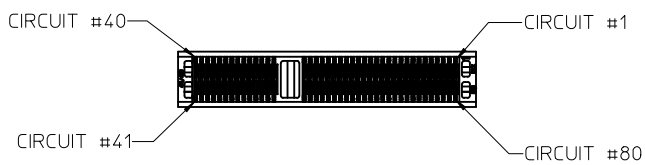
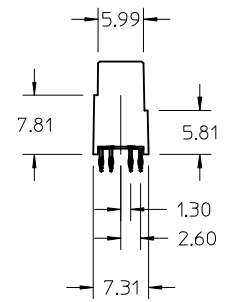
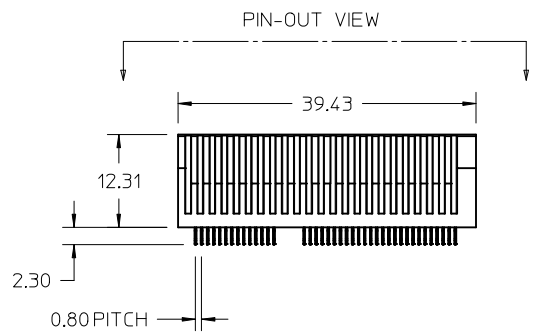
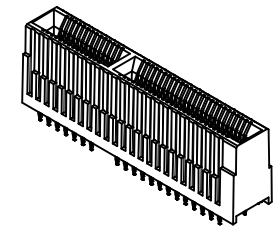
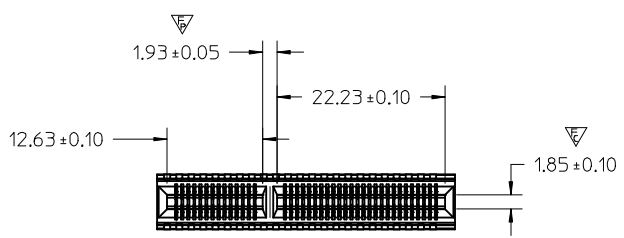
FIRST CIRCUIT

NOTES:

- MATERIAL:
HOUSING - GLASS FILLED THERMOPLASTIC, 94-VO, BLACK
TERMINALS - COPPER ALLOY
- FINISH:
CONTACT AREA: 0.76 MICROMETER MINIMUM HARD GOLD OVER 3.80 MICROMETER NICKEL
COMPLIANT AREA: 0.76-1.52 MICROMETER TIN OVER 1.27 MICROMETER NICKEL
* SPECIAL FINISH:
CONTACT AREA: 0.76 MICROMETER MINIMUM HARD GOLD OVER 3.80 MICROMETER NICKEL
COMPLIANT AREA: 0.76-1.52 MICROMETER TIN (PREVIOUSLY TIN/LEAD) OVER 1.27 MICROMETER NICKEL
- REFER TO PS-75594-999 PRODUCT SPECIFICATION FOR ALL ELECTRICAL, MECHANICAL AND ENVIRONMENTAL SPECIFICATIONS.
- REFER TO PK-76693-900 FOR ALL PACKAGING SPECIFICATIONS.
- PROCESSING: PRESSFIT TO PC BOARD.
- MATING PC BOARD THICKNESS = 1.60±0.16MM OVER CONTACT PADS.
- PRODUCT IS ELV AND RoHS COMPLIANT. LEVEL OF COMPLIANCE: 6/6
ALL BANNED SUBSTANCES ARE REMOVED:
Pb (LEAD)
HEXAVALENT CHROMIUM (CrVI)
CADMIUM
MERCURY
POLYBROMINATED BIPHENYL (PBB)
POLYBROMINATED DIPHENYL ETHER (PBDE)
- THIS PART CONFORMS TO CLASS B REQUIREMENTS OF COSMETIC SPEC PS-45499-002
- FOR EDGE CARD AND MOUNTING PCB LAYOUT DETAIL SEE CORRESPONDING SALES DRAWING.

PART NUMBER	VERSION	BAY 1/BAY 2	TOTAL CIRCUITS	DIM A	SALES DRAWING (SEE NOTE 9)
76691-2278	2 BAY	143/132	278	118.63	SD-76691-2278
76691-1200	1 BAY	200	200	84.20	SD-76691-1200
76691-2108	2 BAY	86/22	108	50.63	SD-76691-2108
76691-3108	2 BAY	86/22	108	50.63	SD-76691-3108
76691-2080	2 BAY	52/28	80	39.43	SD-76691-111
76691-9046*	1 BAY	46	46	22.60	SD-76691-109
76691-1046	1 BAY	46	46	22.60	SD-76691-107

LEADFREE CONVERTER. EC NO: UCP2013-2374 DRW:MP0FF 2012/11/12 CHKD:MWOLF 2012/11/12 APPR:SMILLER 2013/01/04	QUALITY SYMBOLS	GENERAL TOLERANCES (UNLESS SPECIFIED)	DIMENSION STYLE MM ONLY	SCALE 2:1	DESIGN UNITS METRIC	THIRD ANGLE PROJECTION
	▽=0	mm INCH	DRAWN BY DATE DROSCA 07/21/08	EDGE LINE 12.5GB 0.062*PCB 0.8MM PITCH		
	▽=0	4 PLACES ± --- ± ---	CHECKED BY DATE JCOMERC I 07/21/08			
	▽=0	3 PLACES ± --- ± ---	APPROVED BY DATE JCOMERC I 2010/10/25	molex DOCUMENT NO. SD-76691-100 SHEET NO. 1 OF 1		
▽=0	2 PLACES ± 0.13 ± ---	MATERIAL NO.				
		1 PLACE ± 0.25 ± ---	SEE TABLE			
		0 PLACE ± --- ± ---	THIS DRAWING CONTAINS INFORMATION THAT IS PROPRIETARY TO MOLEX INCORPORATED AND SHOULD NOT BE USED WITHOUT WRITTEN PERMISSION			
		ANGULAR ±1/2°	DRAFT WHERE APPLICABLE MUST REMAIN WITHIN DIMENSIONS			

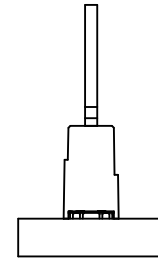
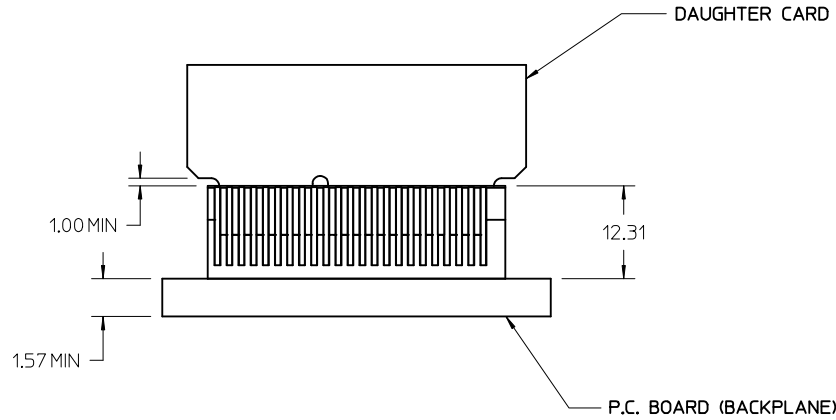
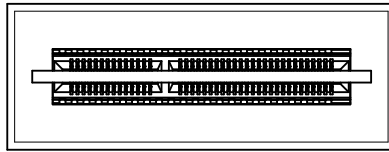


NOTES:

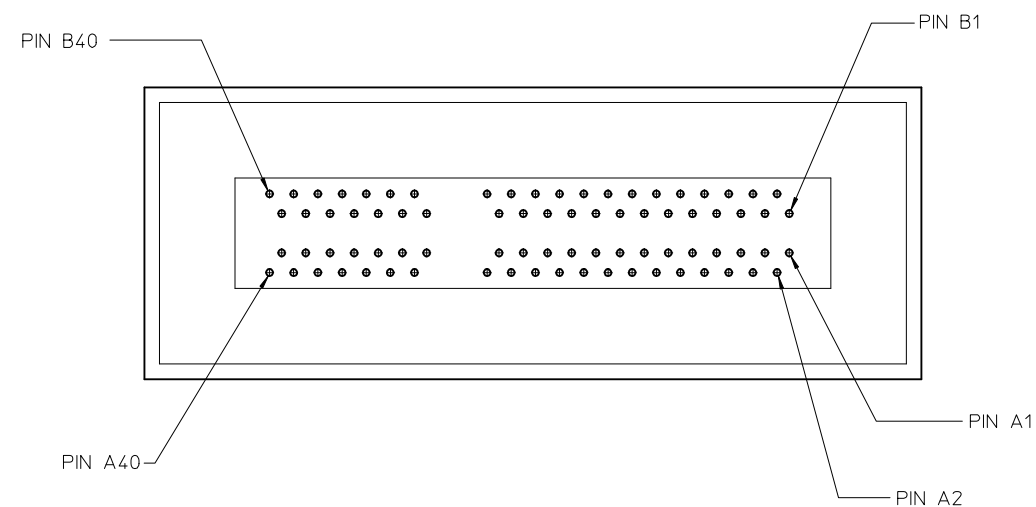
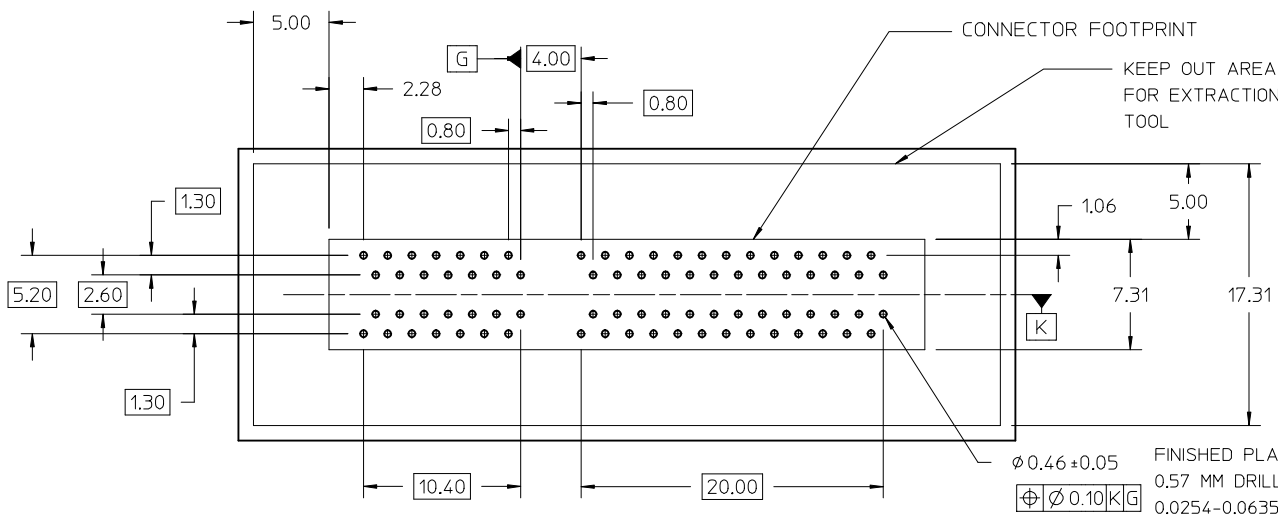
1. MATERIAL:
HOUSING - GLASS FILLED THERMOPLASTIC, 94-V0, BLACK
TERMINALS - COPPER ALLOY
2. FINISH:
CONTACT AREA: HARD GOLD -0.76µm MIN OVER 3.80µ NICKEL
COMPLIANT AREA: TIN - 0.76/1.52µm OVER NICKEL
3. REFER TO PS-76421-001 PRODUCT SPECIFICATION FOR ALL ELECTRICAL, MECHANICAL AND ENVIRONMENTAL SPECIFICATIONS.
4. REFER TO PK-75594-999 FOR ALL PACKAGING SPECIFICATIONS.
5. PROCESSING: PRESSFIT TO PC BOARD.
6. IN ORDER TO PROVIDE OPTIMAL ELECTRICAL PERFORMANCE, THE MATING BOARD MUST MEET REQUIREMENTS OF AMC.0 R2 SPECIFICATION.
7. MATING PC BOARD THICKNESS = 1.60±0.16MM OVER CONTACT PADS.
8. PRODUCT IS ELV AND RoHS COMPLIANT. LEVEL OF COMPLIANCE: 6/6 ALL BANNED SUBSTANCES ARE REMOVED:
Pb (LEAD)
HEXAVALENT CHROMIUM (CrVI)
CADMIUM
MERCURY
POLYBROMINATED BIPHENYL (PBB)
POLYBROMINATED DIPHENYL ETHER (PBDE)
9. THIS PART CONFORMS TO CLASS B REQUIREMENTS OF COSMETIC SPEC PS-45499-002

CHANGED TOL 0.46+/-0.05 EC NO: UCP2012-4284 DRWING: DROSCA 2012/06/26 CHKD: APPR: JCOMERCI 2012/12/20	QUALITY SYMBOLS	GENERAL TOLERANCES (UNLESS SPECIFIED)		DIMENSION STYLE MM ONLY		SCALE 2:1	DESIGN UNITS METRIC	THIRD ANGLE PROJECTION	
	▽ = 0	mm	INCH	DRAWN BY DROSCA	DATE 06/15/2009	TITLE EDGE LINE 12.5GB 80CKTS 0.062"PCB 0.8MM PITCH			
	▽ = 1	4 PLACES ± --- ± ---	3 PLACES ± --- ± ---	CHECKED BY JCOMERCI	DATE 06/15/2009				
	▽ = 1	DRAFT WHERE APPLICABLE MUST REMAIN WITHIN DIMENSIONS		APPROVED BY JCOMERCI		DATE 06/15/2009	MOLEX INCORPORATED		SHEET NO. 1 OF 5
▽ = 1	ANGULAR ±1/2°		MATERIAL NO. 766912080		DOCUMENT NO. SD-76691-111				

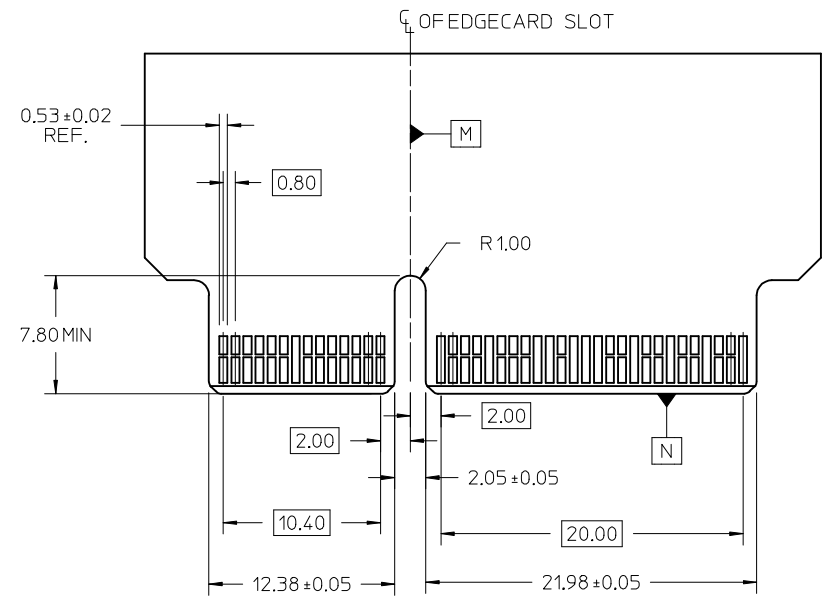
P.C. BOARD MOUNTING



SEE SHEET 1 IEC NO: UCP2012-4284 DRWING: DROSCA 2012/06/26 CHKD: JCOMERCI APPR: JCOMERCI 2012/12/20	QUALITY SYMBOLS	GENERAL TOLERANCES (UNLESS SPECIFIED) <table border="1" style="width: 100%; border-collapse: collapse;"> <thead> <tr> <th></th> <th>mm</th> <th>INCH</th> </tr> </thead> <tbody> <tr> <td>4 PLACES</td> <td>± .005</td> <td>± .0004</td> </tr> <tr> <td>3 PLACES</td> <td>± .005</td> <td>± .0004</td> </tr> <tr> <td>2 PLACES</td> <td>± 0.15</td> <td>± .006</td> </tr> <tr> <td>1 PLACE</td> <td>± 0.25</td> <td>± .010</td> </tr> </tbody> </table> ANGULAR ±1/2°		mm	INCH	4 PLACES	± .005	± .0004	3 PLACES	± .005	± .0004	2 PLACES	± 0.15	± .006	1 PLACE	± 0.25	± .010	DIMENSION STYLE MM ONLY	SCALE 2:1	DESIGN UNITS METRIC	THIRD ANGLE PROJECTION
			mm	INCH																	
	4 PLACES		± .005	± .0004																	
	3 PLACES		± .005	± .0004																	
2 PLACES	± 0.15	± .006																			
1 PLACE	± 0.25	± .010																			
▼=0 ▽=0	DRAWN BY DATE DROSCA 06/15/2009 CHECKED BY DATE JCOMERCI 06/15/2009 APPROVED BY DATE JCOMERCI 06/15/2009	TITLE EDGELINE 12.5GB 80CKTS 0.062"PCB 0.8MM PITCH																			
DRAFT WHERE APPLICABLE MUST REMAIN WITHIN DIMENSIONS	MATERIAL NO. SEE SHEET 1	DOCUMENT NO. SD-76691-111	SHEET NO. 2 OF 5																		
A1	THIS DRAWING CONTAINS INFORMATION THAT IS PROPRIETARY TO MOLEX INCORPORATED AND SHOULD NOT BE USED WITHOUT WRITTEN PERMISSION																				



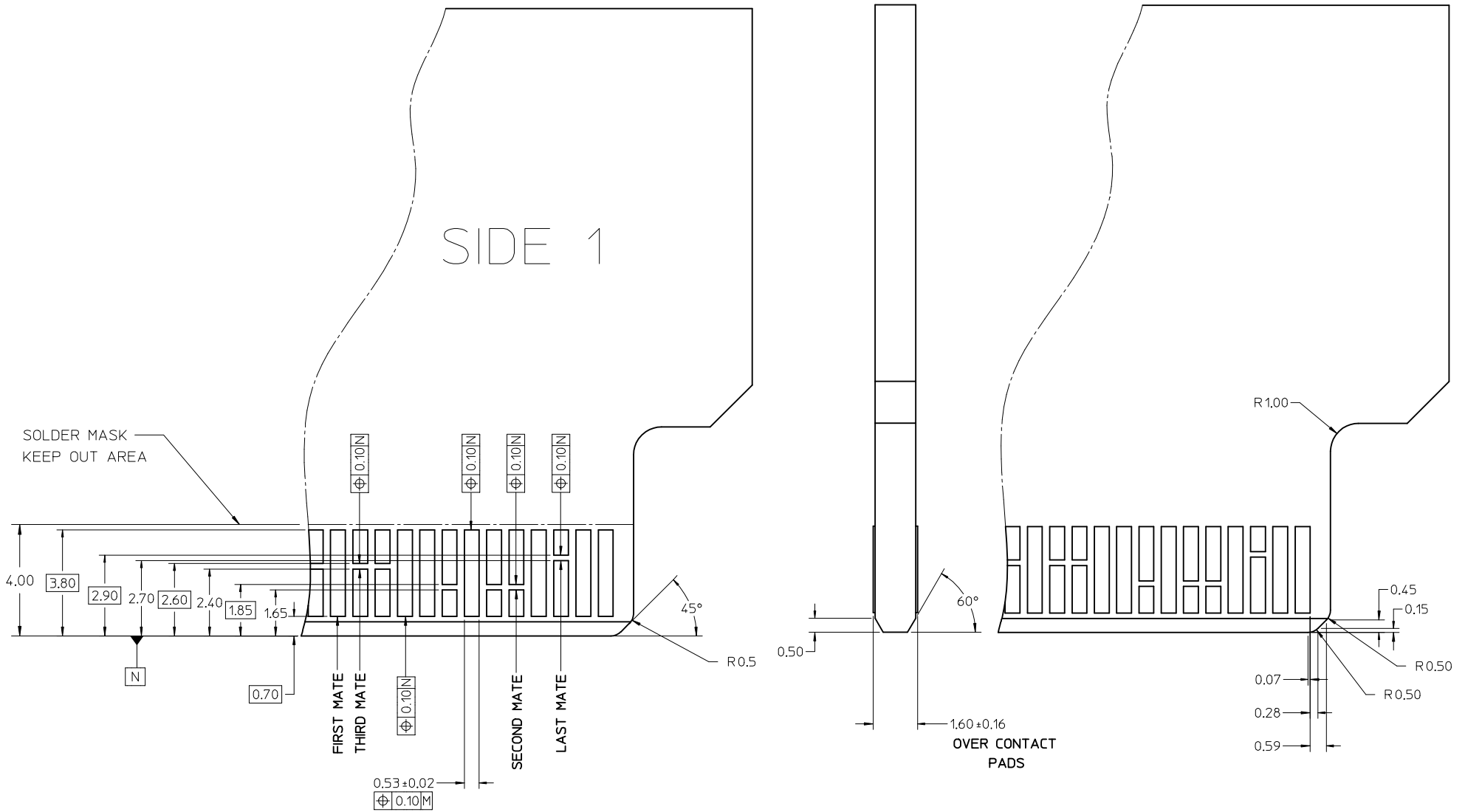
MOTHER BOARD HOLE LAYOUT
(COMPONENT SIDE)



DAUGHTER CARD

SEE SHEET 1 IEC NO: UCP2012-4284 DRAWN: DROSCA 2012/06/26 CHKD: APPR: JCOMERCI 2012/12/20 REV: A1	QUALITY SYMBOLS ▽=0 ▽=0	GENERAL TOLERANCES (UNLESS SPECIFIED) <table border="1"> <tr> <th></th> <th>mm</th> <th>INCH</th> </tr> <tr> <td>4 PLACES</td> <td>± 0.15</td> <td>± 0.006</td> </tr> <tr> <td>3 PLACES</td> <td>± 0.25</td> <td>± 0.010</td> </tr> <tr> <td>2 PLACES</td> <td>± 0.38</td> <td>± 0.015</td> </tr> <tr> <td>1 PLACE</td> <td>± 0.51</td> <td>± 0.020</td> </tr> </table>		mm	INCH	4 PLACES	± 0.15	± 0.006	3 PLACES	± 0.25	± 0.010	2 PLACES	± 0.38	± 0.015	1 PLACE	± 0.51	± 0.020	DIMENSION STYLE MM ONLY DRAWN BY DATE DROSCA 06/15/2009 CHECKED BY DATE JCOMERCI 06/15/2009 APPROVED BY DATE JCOMERCI 06/15/2009 MATERIAL NO.	SCALE 4:1 DESIGN UNITS METRIC THIRD ANGLE PROJECTION	TITLE EDGE LINE 12.5GB 80CKTS 0.062"PCB 0.8MM PITCH
		mm	INCH																	
	4 PLACES	± 0.15	± 0.006																	
	3 PLACES	± 0.25	± 0.010																	
	2 PLACES	± 0.38	± 0.015																	
1 PLACE	± 0.51	± 0.020																		
DRAFT WHERE APPLICABLE MUST REMAIN WITHIN DIMENSIONS		SEE SHEET 1	MOLEX INCORPORATED		SHEET NO. 3 OF 5															
THIS DRAWING CONTAINS INFORMATION THAT IS PROPRIETARY TO MOLEX INCORPORATED AND SHOULD NOT BE USED WITHOUT WRITTEN PERMISSION																				
DOCUMENT NO. SD-76691-111																				

MODULE EDGE CARD CONTACT DETAIL



Note:

These are generic details that describe the configuration of various PCB design elements. The customer must determine where and when to use each element to accommodate their specific application.

SEE SHEET 1 EC NO: UCP2012-4284 DRWN: DROSCA 2012/06/26 CHKD: APPR: JCOMERCI 2012/12/20	QUALITY SYMBOLS ▽=0 ▽=0	GENERAL TOLERANCES (UNLESS SPECIFIED) mm INCH 4 PLACES ± --- ± --- 3 PLACES ± --- ± --- 2 PLACES ± 0.15 ± --- 1 PLACE ± 0.25 ± --- ANGULAR ± 1/2°	DIMENSION STYLE MM ONLY DRAWN BY DATE DROSCA 06/15/2009 CHECKED BY DATE JCOMERCI 06/15/2009 APPROVED BY DATE JCOMERCI 06/15/2009 MATERIAL NO.	SCALE 10:1 DESIGN UNITS METRIC THIRD ANGLE PROJECTION	TITLE EDGELINE 12.5GB 80CKTS 0.062"PCB 0.8MM PITCH
	DRAFT WHERE APPLICABLE MUST REMAIN WITHIN DIMENSIONS	SEE SHEET 1	MOLEX INCORPORATED SD-76691-111	SHEET NO. 4 OF 5	

76691-2080 LEGEND 80 CIRCUITS / 0.062"PCB

COMPONENT SIDE 1

COMPONENT SIDE 2

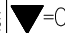
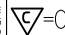
PIN NO.	SIGNAL	ALLEGRO PIN NO.				SIGNAL	PIN NO.
B1	GND		○		○	GND	A1
B2	B_TP+	○			○	A_TP+	A2
B3	B_TP-		○		○	A_TP-	A3
B4	GND	○			○	GND	A4
B5	GND		○		○	GND	A5
B6	B_RP+	○			○	A_RP+	A6
B7	B_RP-		○		○	A_RP-	A7
B8	GND	○			○	GND	A8
B9	GND		○		○	GND	A9
B10	B_TS+	○			○	A_TS+	A10
B11	B_TS-		○		○	A_TS-	A11
B12	GND	○			○	GND	A12
B13	GND		○		○	GND	A13
B14	B_RS+	○			○	A_RS+	A14
B15	B_RS-		○		○	A_RS-	A15
B16	GND	○			○	GND	A16
B17	GND		○		○	GND	A17
B18	B_PRSNT	○			○	A_PRSNT	A18
B19	GND		○		○	GND	A19
B20	B_RDY	○			○	A_RDY	A20
B21	GND		○		○	GND	A21
B22	B_5V_PRE	○			○	A_5V_PRE	A22
B23	B_5V		○		○	A_5V	A23
B24	B_5V	○			○	A_5V	A24
B25	B_5V		○		○	A_5V	A25
B26	B_5V	○			○	A_5V	A26

POLARIZATION KEY

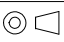
B27	GND		○		○	GND	A27
B28	GND	○			○	GND	A28
B29	GND		○		○	GND	A29
B30	GND	○			○	GND	A30
B31	B_12V_PRE		○		○	A_12V_PRE	A31
B32	B_12V	○			○	A_12V	A32
B33	B_12V		○		○	A_12V	A33
B34	B_12V	○			○	A_12V	A34
B35	B_12V		○		○	A_12V	A35
B36	GND	○			○	GND	A36
B37	GND		○		○	GND	A37
B38	GND	○			○	GND	A38
B39	GND		○		○	GND	A39
B40	GND	○			○	GND	A40

SEE SHEET 1
EC NO: UCP2012-4284
DRAWN: DROSCA 2012/06/26
CHKD:
APPR: JCOMERC I 2012/12/20

REV	DESCRIPTION
A1	

QUALITY SYMBOLS
 =0
 =0
 DRAFT WHERE APPLICABLE
 MUST REMAIN
 WITHIN DIMENSIONS

GENERAL TOLERANCES (UNLESS SPECIFIED)		DIMENSION STYLE MM ONLY	
	mm	INCH	
4 PLACES	± .---	± .---	DRAWN BY DATE DROSCA 06/15/2009
3 PLACES	± .---	± .---	CHECKED BY DATE JCOMERC I 06/15/2009
2 PLACES	± 0.15	± .---	APPROVED BY DATE JCOMERC I 06/15/2009
1 PLACE	± 0.25	± .---	MATERIAL NO.
ANGULAR ±1/2°		SEE SHEET 1	

SCALE	DESIGN UNITS	THIRD ANGLE PROJECTION
2:1	METRIC	
TITLE EDGELINE 12.5GB 80CKTS 0.062"PCB 0.8MM PITCH		
MOLEX INCORPORATED		
DOCUMENT NO. SD-76691-111	SHEET NO. 5 OF 5	