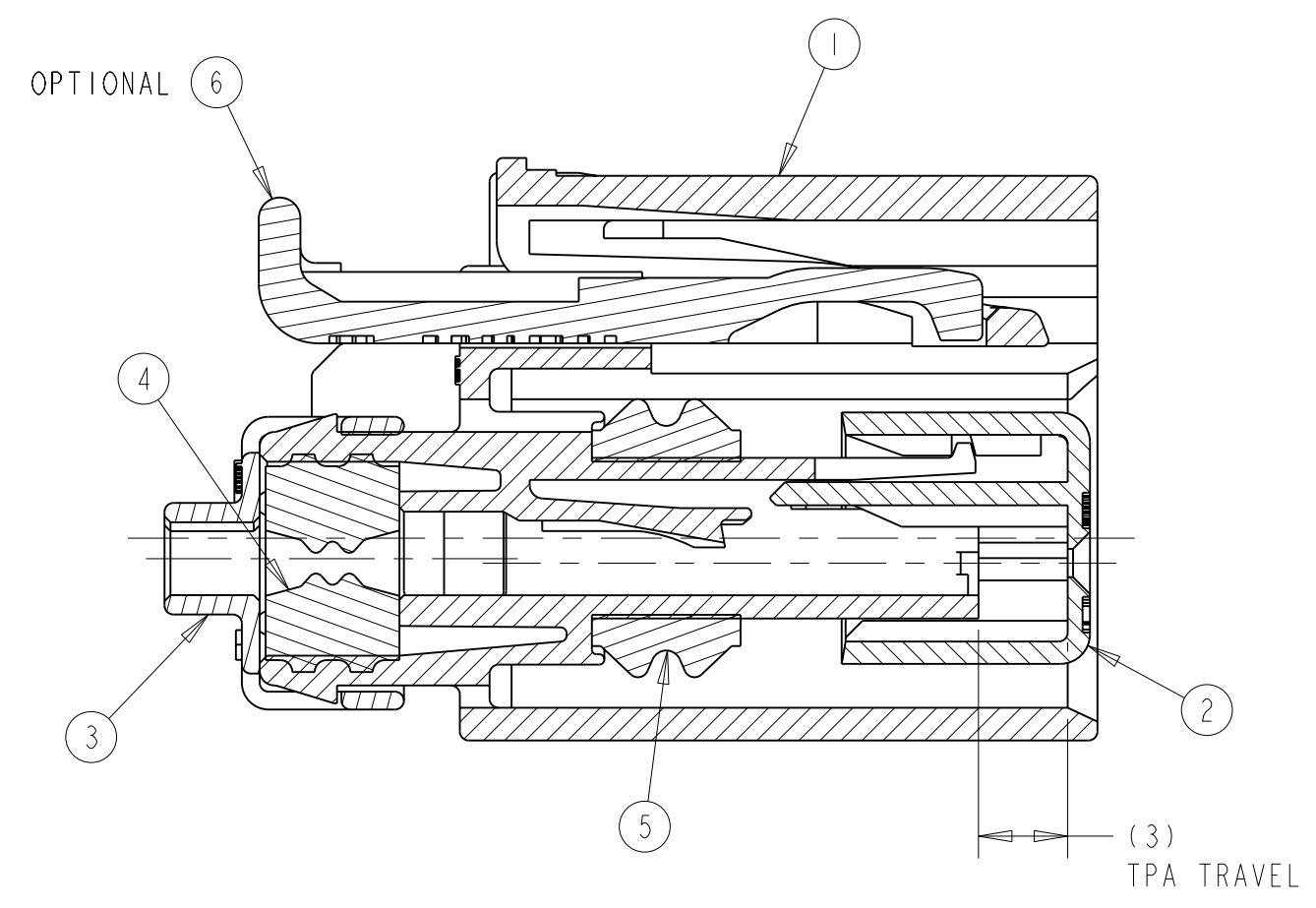
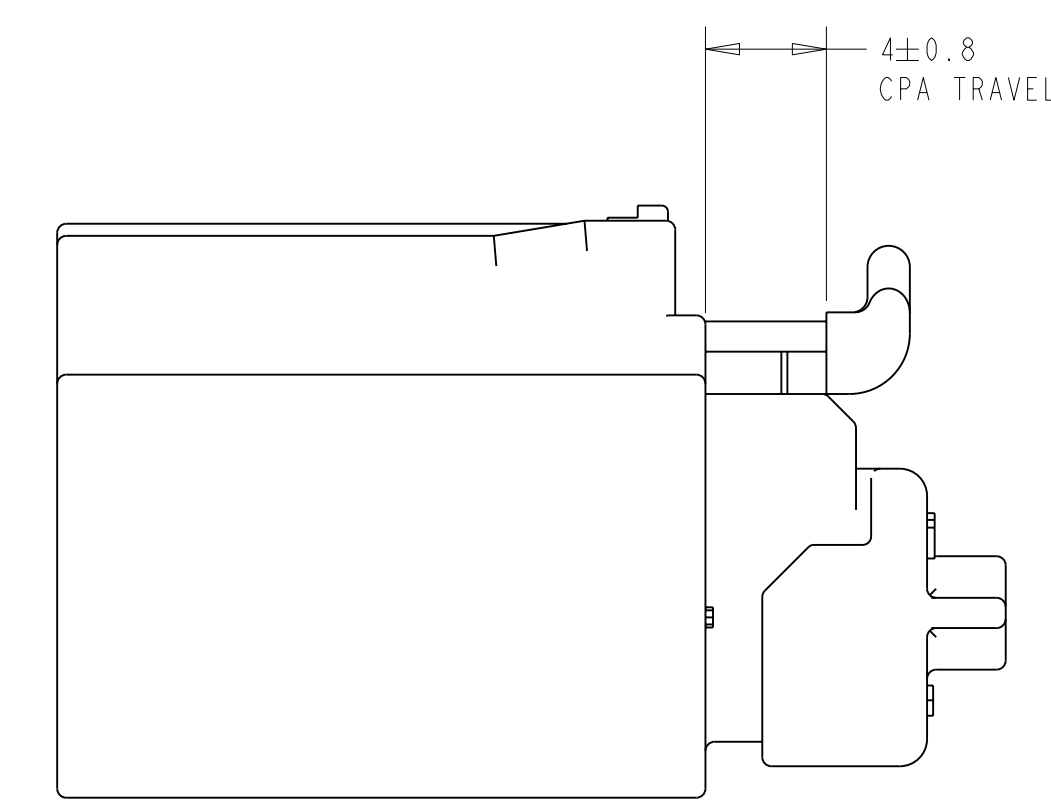
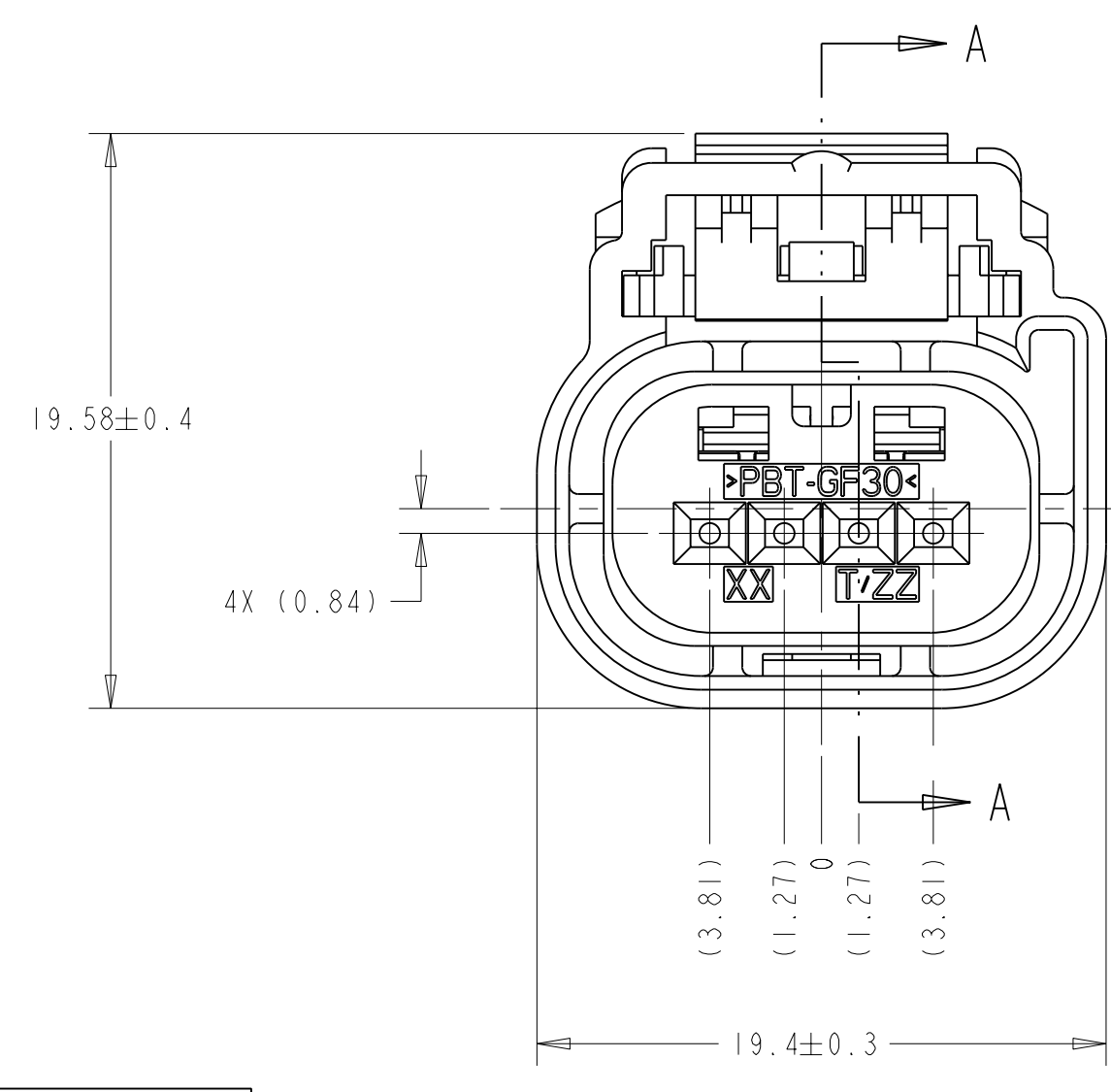


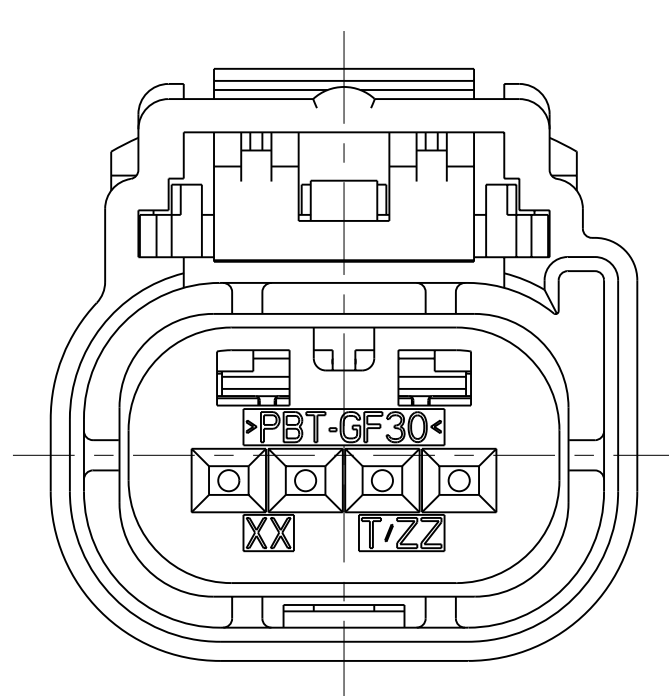
LOC	DIST	REVISIONS			
P	LTB	DESCRIPTION	DATE	DWN	APVD
D3		Dimensions updated, ECR-07-009742	25APR2002	HM	GM
E		SEE ECR-11-009284 AND ECR-11-009557	09MAY2011	JM	GS



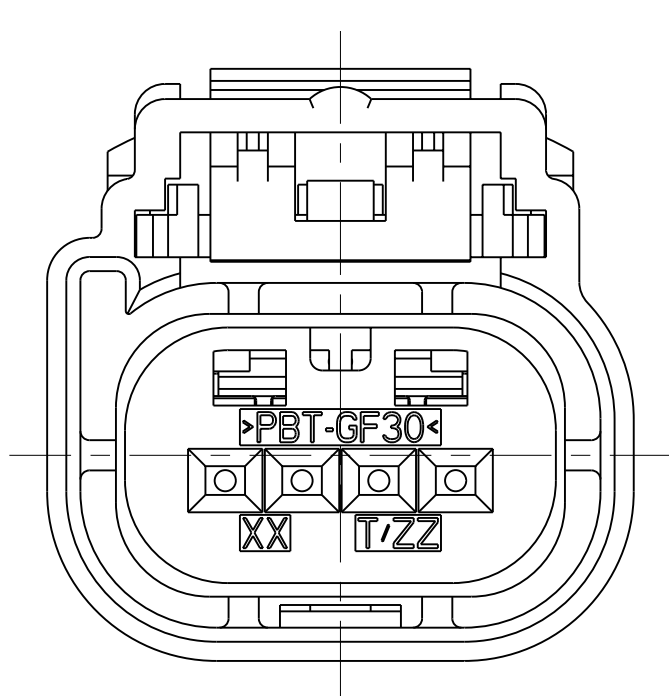
SECTION A-A  
SHOWN WITH TPA  
AND CPA (OPTIONAL) IN  
THEIR PRE-LOADED POSITIONS



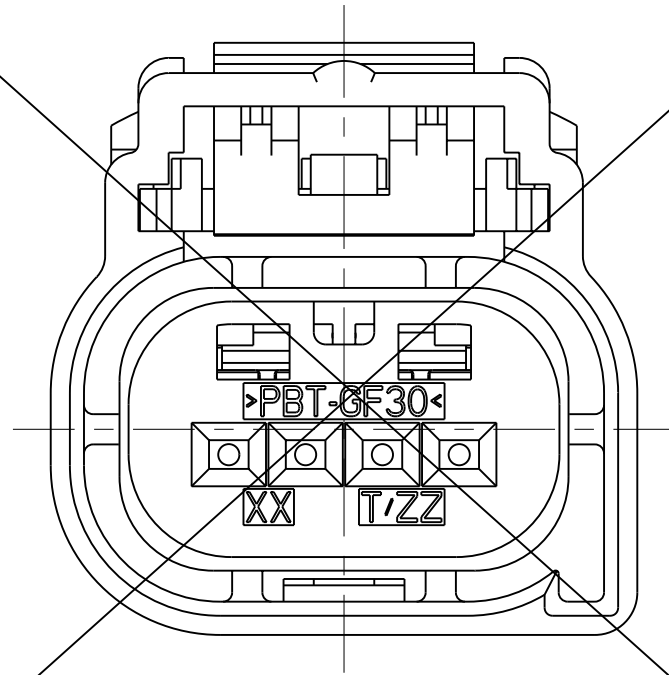
PIN-OUT CHART			
	3	4	
			1438188-1 1719256-2 9-1419167-9
2			9-1419167-5 1719256-3
			1719256-1 9-1419167-8 1419168-1 0-1419168-2 9-1419167-0 9-1419167-1 9-1419167-2 9-1419167-3
1	2	3	4
TERMINAL HOLE POSITION			ASSEMBLY PART NUMBER
CAVITIES WITH A NUMERIC SYMBOL INDICATE CLOSED TERMINAL HOLE POSITIONS			
BLANK CAVITIES INDICATE OPEN TERMINAL HOLE POSITIONS			



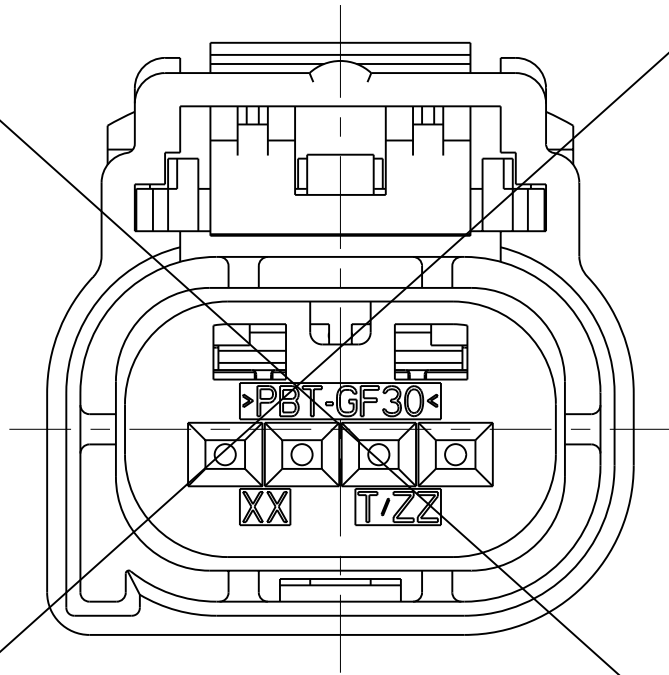
KEYING OPTION "A"



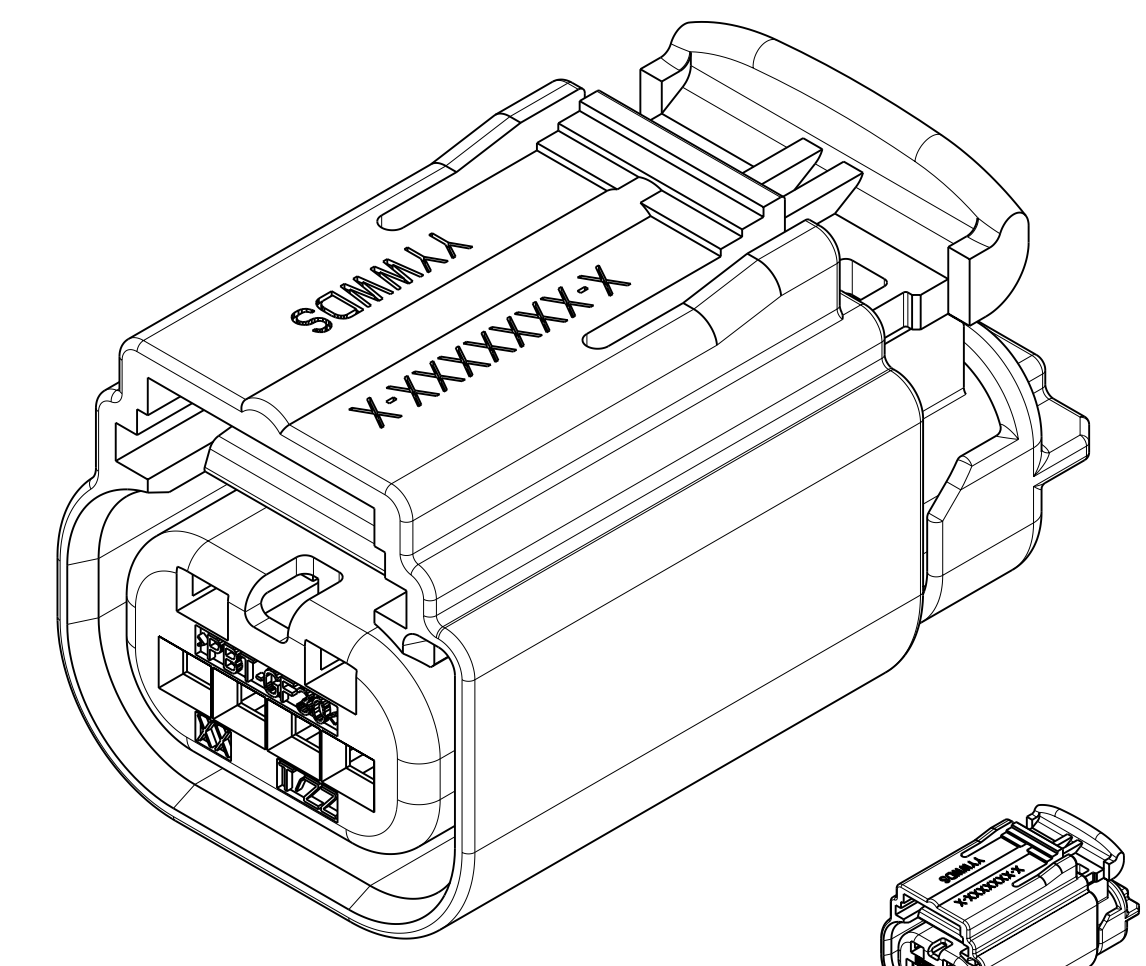
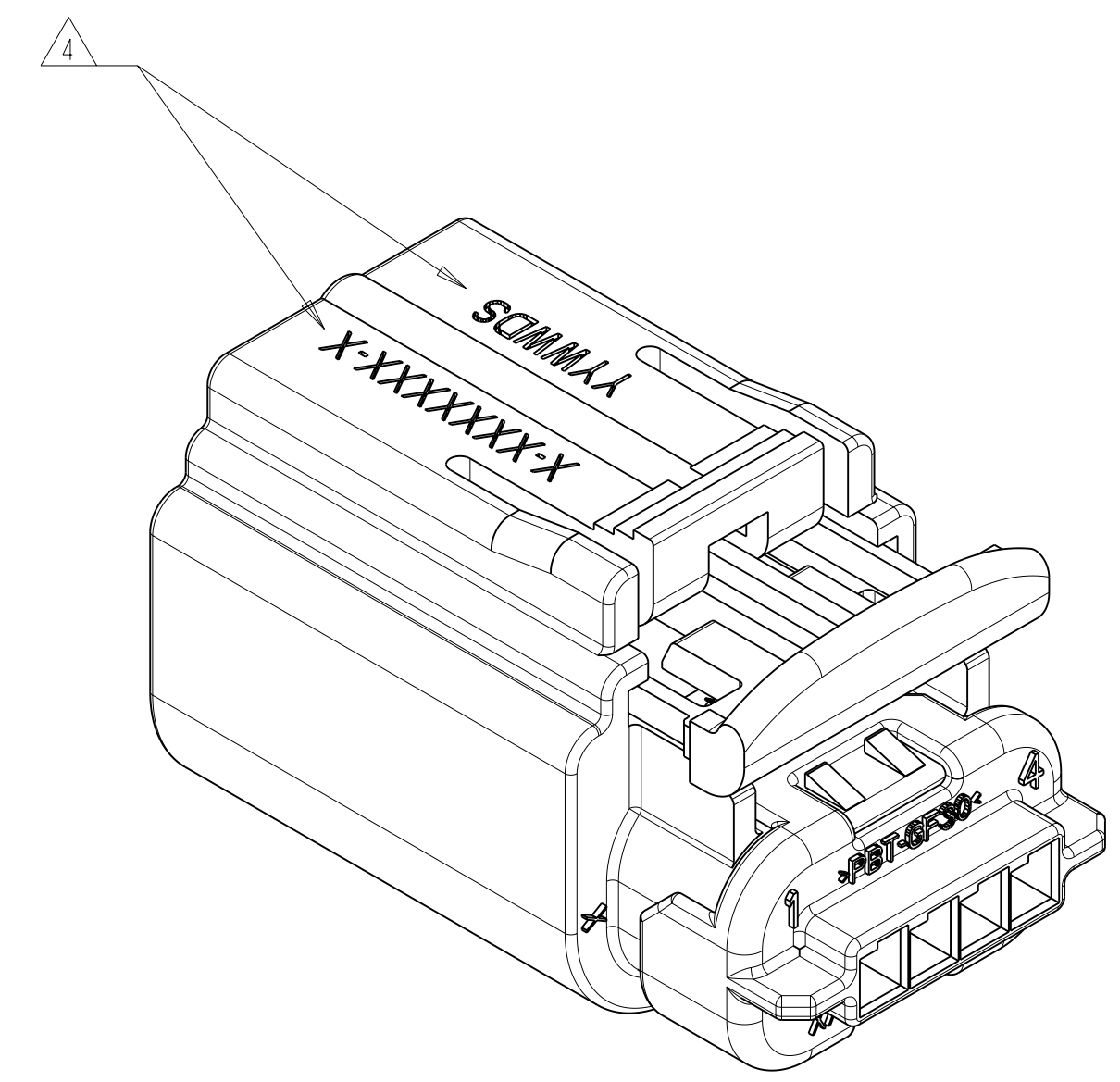
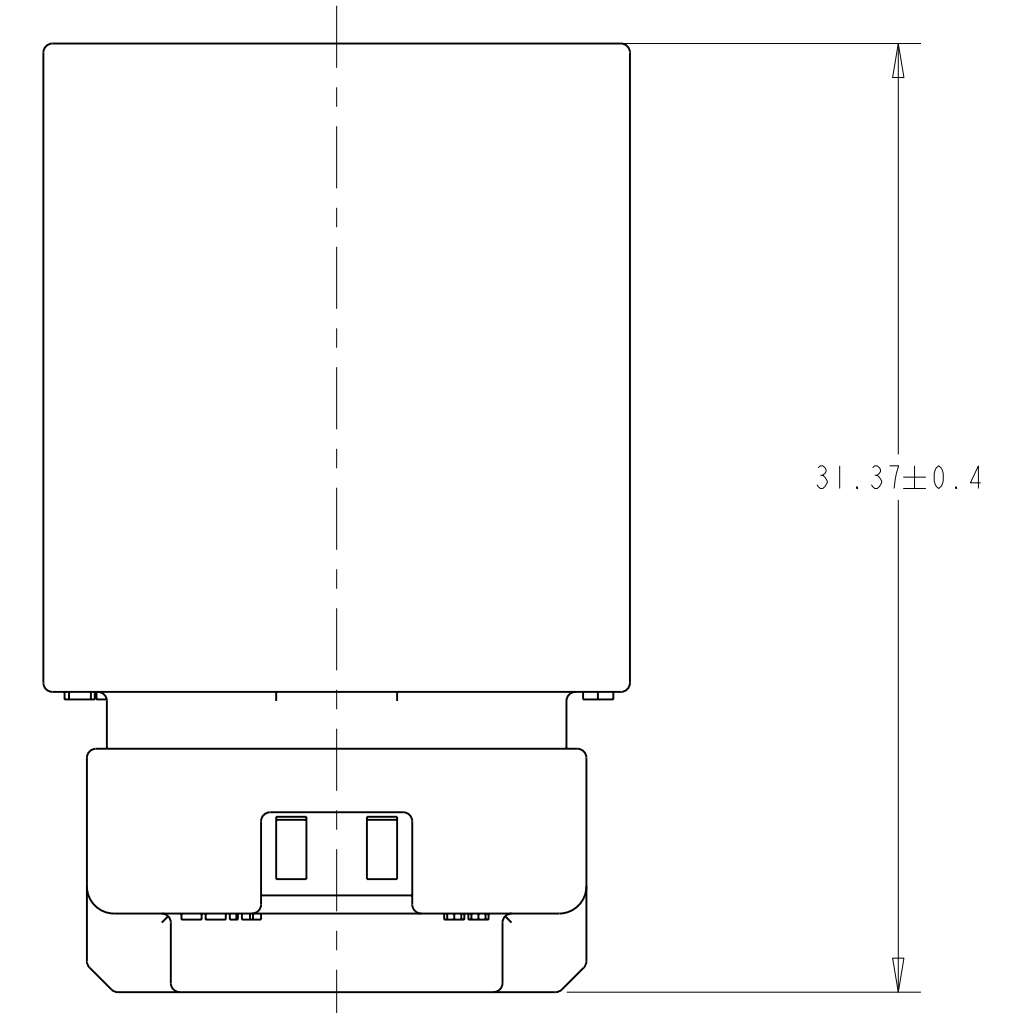
KEYING OPTION "B"



KEYING OPTION "C"



KEYING OPTION "D"



SCALE 1:1

KEYING OPTION "A" SHOWN  
SEE NOTE 5 FOR APPLICABLE  
HEADER INTERFACE INFORMATION

- APPLICABLE TERMINAL PART NUMBERS (SOLD SEPARATELY):  
FOR TIN APPLICATIONS: 1393367 AND 1393366.  
FOR GOLD APPLICATIONS: 1393365 AND 1393364.  
FOR TERMINATION AND REELING OPTIONS  
SEE DRAWINGS 1393367, 1393366, 1393365, AND 1393364.

- COMPATIBLE WIRE SIZES FOR MAT SEAL DESIGN 1.19 TO 2.06 O.D.  
(22-18 AWG, 0.35-0.75 mm<sup>2</sup>)

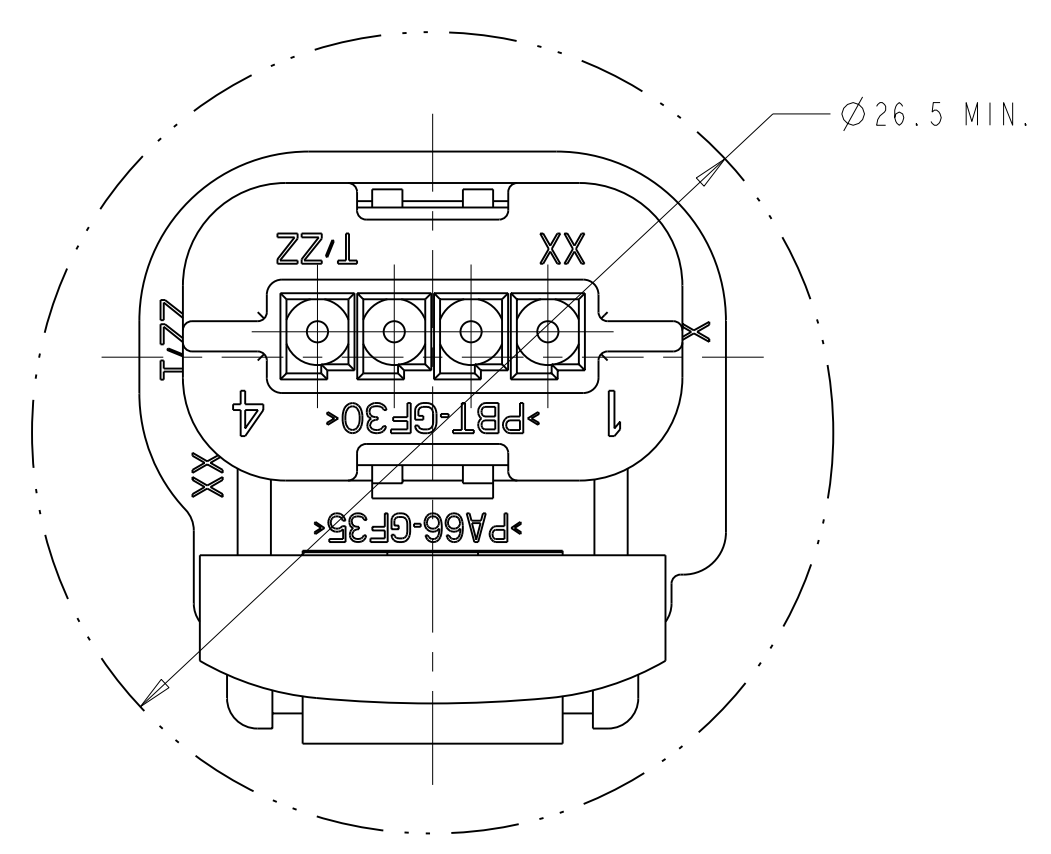
- TPA AND CPA (OPTIONAL) ARE SHIPPED IN THEIR PRE-LOADED POSITIONS. ALL ASSEMBLIES ARE TO BE BULK PACKAGED.

- TE ASSEMBLY PART NUMBER (X-XXXXXX-X) AND TRACEABILITY CODE (YY = TWO DIGIT YEAR, WW = TWO DIGIT WEEK, D = ONE DIGIT DAY OF THE WEEK, S = ONE DIGIT SHIFT NUMBER) ARE PRINTED IN THIS LOCATION.

- APPLICABLE HEADER INTERFACE DRAWING 1438198 IS AVAILABLE UPON REQUEST. A COPY OF THIS DRAWING CAN BE OBTAINED FROM THE TE PRODUCT MANAGER, VIA YOUR TE SALES REPRESENTATIVE OR CUSTOMER SERVICE.

- PART ASSEMBLY WEIGHT WITHOUT TERMINALS:  
WITHOUT CPA: 5,70 GRAMS  
WITH CPA: 6,10 GRAMS

- THESE PART NUMBERS ARE NOT RELEASED FOR PRODUCTION. PLEASE CONTACT YOUR TE SALES REPRESENTATIVE FOR AVAILABILITY AND PRICING.



MINIMUM FEED THROUGH CONDITION  
WITH 1mm CLEARANCE ALL AROUND

QUANTITY				ITEM	DESCRIPTION	MATERIAL	COLOR/FINISH
1	1	1	1	6	CPA	PBT-GF15	RED
1	1	1	1	5	PERIMETER SEAL	SILICONE	WHITE BLUE
1	1	1	1	4	GROMMET	SILICONE	BROWN
1	1	1	1	3	COVER	PBT-GF30	BLUE (E)
1	1	1	1	2	TPA	PBT-GF30	BLUE (E)
	1			1	PLUG WITH KEYING OPTION "D"	PA66-GF35	GREY
		1		1	PLUG WITH KEYING OPTION "C"	PA66-GF35	GREY
	1			1	PLUG WITH KEYING OPTION "B"	PA66-GF35	GREY
1	1			1	PLUG WITH KEYING OPTION "A"	PA66-GF35	GREY

THIS DRAWING IS A CONTROLLED DOCUMENT.		DWN	16JAN2002
DIMENSIONS:		CHK	M. FORISKA
TOLERANCES UNLESS OTHERWISE SPECIFIED:		APVD	M. FORISKA
mm		NAME	A. SHUMAN
9 PLC ±		PRODUCT SPEC	
1 PLC ±0.3		APPLICATION SPEC	
5 PLC ±0.10		SIZE	CAGE CODE DRAWING NO
4 PLC ±		WEIGHT	SEE NOTE 8
ANGLES ±		CUSTOMER DRAWING	
FINISH ±		SCALE	4:1
		SHEET	1
		OF	1
		REV	E
<p>STE TE Connectivity</p> <p>1 X 4 SEALED FEMALE PLUG ASSEMBLY CUSTOMER SPEC. (EUROPE)</p> <p>9-1419167-0</p>			