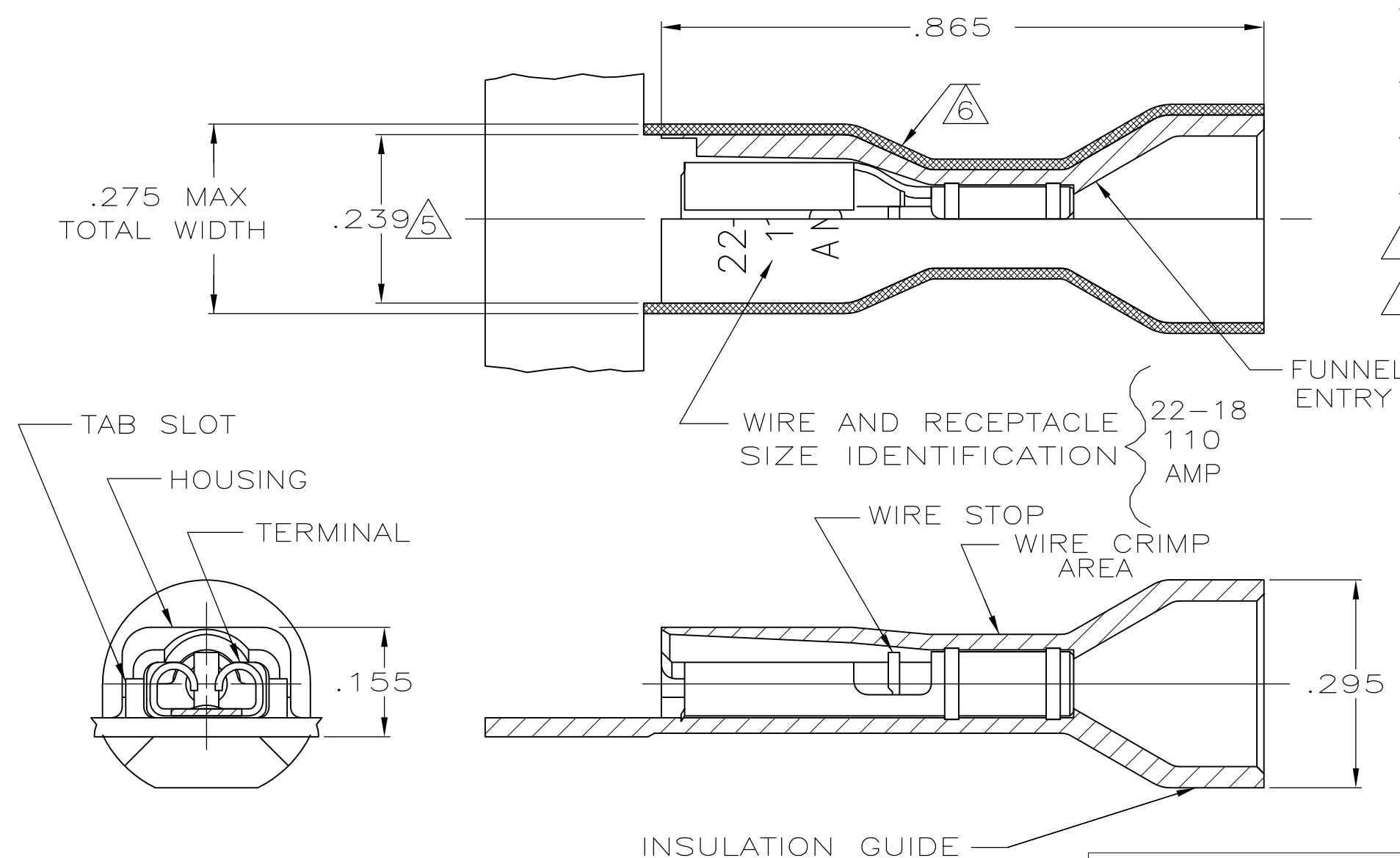


THIS DRAWING IS UNPUBLISHED. RELEASED FOR PUBLICATION  
 © COPYRIGHT - By - ALL RIGHTS RESERVED.

LOC	DIST	REVISIONS					
AF	50	P	LTR	DESCRIPTION	DATE	DWN	APVD
			K	REVISED PER ECR-12-005303	23JUL12	KH	KR



- 1 MATES WITH .020±.001 X .110 OR .125 TABS
- 2 WIRE STRIP LENGTH .281
- 3 INSULATION SIZE .230 MAX DIA
- 4 CONTINUOUS STRIP ON REELS
- 5 DIMENSION DOES NOT INCLUDE TRIM BURR
- 6 .015 MAX CARRIER TRIM BURR PER SIDE IS ALLOWABLE IN THE SHADED AREA

HOUSING: NYLON, COLOR-RED TRANSLUCENT RECEPTACLE: #3 HARD BRASS TIN	2-520306-2
MATERIAL & FINISH	PART NUMBER

THIS DRAWING IS A CONTROLLED DOCUMENT.		DWN	P FORTNEY	11/9/88	<b>TE Connectivity</b>	
DIMENSIONS: INCHES		CHK	MS FEHER	11/9/88		
TOLERANCES UNLESS OTHERWISE SPECIFIED:		APVD	K RANDOLPH	11/11/88		
0 PLC ± - 1 PLC ± - 2 PLC ± - 3 PLC ± .015 4 PLC ± - ANGLES ± -		PRODUCT SPEC	108-2043			
MATERIAL SEE TABLE		FINISH	SEE TABLE		NAME	RECEPTACLE ASSY, ULTRA-FAST, .110/.125 SERIES, 22-18 AWG
		APPLICATION SPEC	114-2123		SIZE	A3
		WEIGHT	-		CAGE CODE	00779
		CUSTOMER DRAWING			DRAWING NO	C-520306
		SCALE	5:1		SHEET	1 OF 1
		REV	K			