

MICRO SWITCH

FREEPORT ILLINOIS, U.S.A
A DIVISION OF HONEYWELL INC.
FED. MFG. CODE 91929

SWITCH - BASIC

CATALOG LISTING

YA-2RB-A64

ADJ7064

CATALOG LISTING
YA-2RB-A64
PAGE 1 OF 1

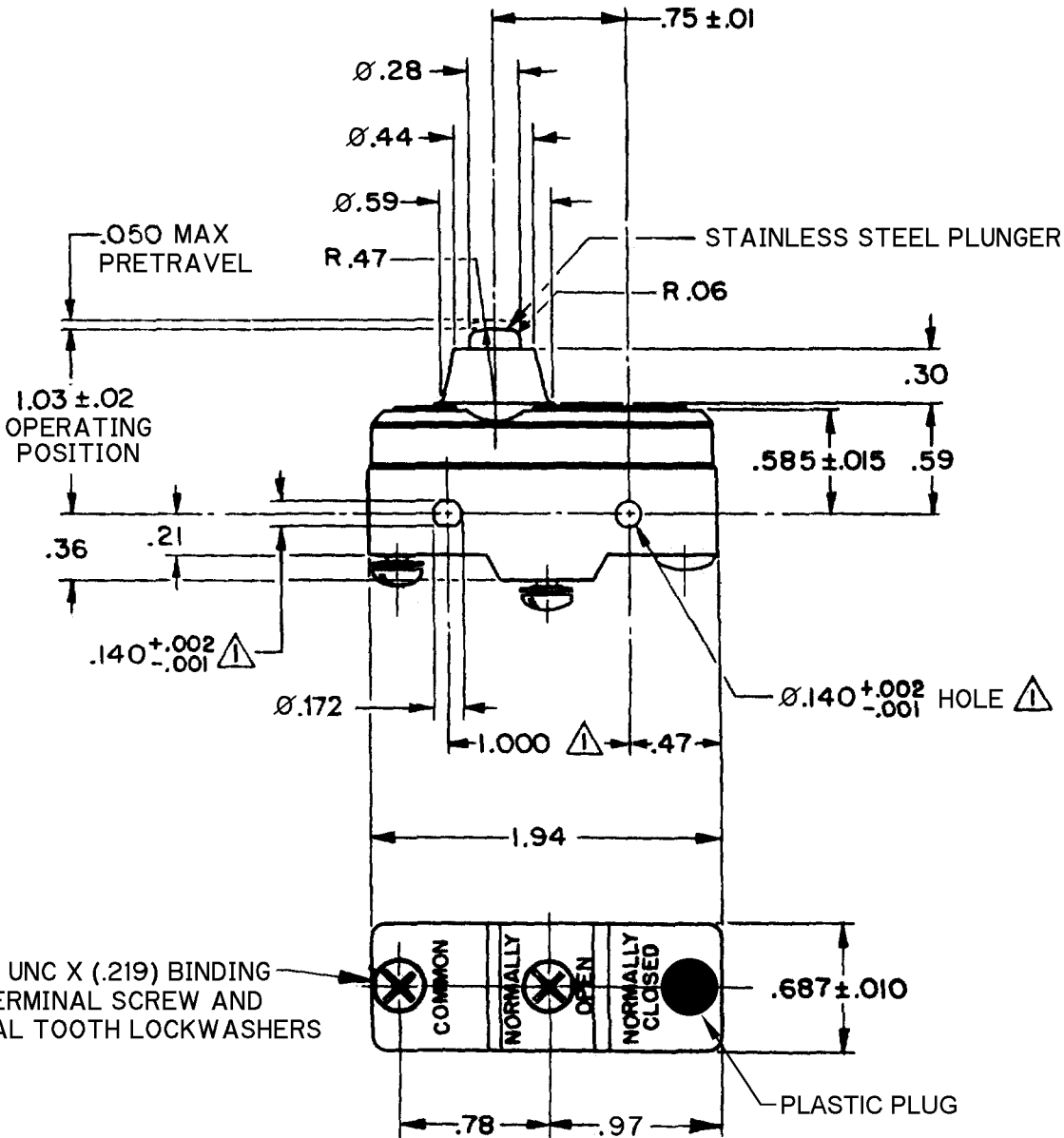
ISSUE
M
7

REPLACES X81367-YA
PR-13830-T
RELEASE NO.

REVISIONS

A	CO-77588	09JAN06
	KDR	29 MAR 94
B	CO93084	09JAN06
	JAS	15 JUL 98
C	CO93346	09JAN06
	DLT	27 AUG 98
D	CO-95750-B	09JAN06
	CSL	29 MAR 00
E	0000624	09JAN06
	JAH	23 JUN 03
F	0017742	09JAN06
	TSG	09JAN06

85 CHECK KAG
T S K 10 APR 85
DRAWN
RASTER



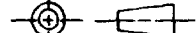
2X 6-32 UNC X (.219) BINDING HEAD TERMINAL SCREW AND INTERNAL TOOTH LOCKWASHERS

NOTE
1 MOUNTING HOLES WILL ACCEPT PINS OR SCREWS OF Ø.139 MAX ON 1.000 ± .002 CENTERS

ANSI Y14.5M-1982 APPLIES

THIS DRAWING COVERS A PROPRIETARY ITEM AND IS THE PROPERTY OF MICRO SWITCH, A DIVISION OF HONEYWELL. THIS DRAWING IS NOT TO BE COPIED OR USED WITHOUT THE APPROVAL OF MICRO SWITCH.

THIRD ANGLE PROJECTION



CHARACTERISTICS	ELECTRICAL DATA
OPERATING FORCE ----- 14-22 OZ	CONTACT ARRANGEMENT S P N O
RELEASE FORCE ----- 10 OZ MIN	L23 20A 125, 250, OR 480 VAC 10A 125 VAC "L" 1 HP 125 VAC, 2 HP 250 VAC 1/2 A 125 VDC, 1/4 A 250 VDC
DIFFERENTIAL TRAVEL ----- .002-.0075	L288 L308 L315
OVERTRAVEL ----- .094 MIN	CE 05 RJ

SCALE FULL	DO NOT SCALE PRINT
UNLESS OTHERWISE SPECIFIED TOLERANCES ARE	
ONE PLACE (.0)	± .030
TWO PLACE (.00)	± .015
THREE PLACE (.000)	± .005
ANGLES	±
RAW MATERIAL - COMMERCIAL STANDARD	
DIMENSIONS ARE IN INCHES AND ARE TO BE MET BEFORE PROTECTIVE COATINGS ARE APPLIED	
MICRO SWITCH STANDARDS APPLY	
WEIGHT .064 LB	

20(3)A 250V ~ T85 5E4