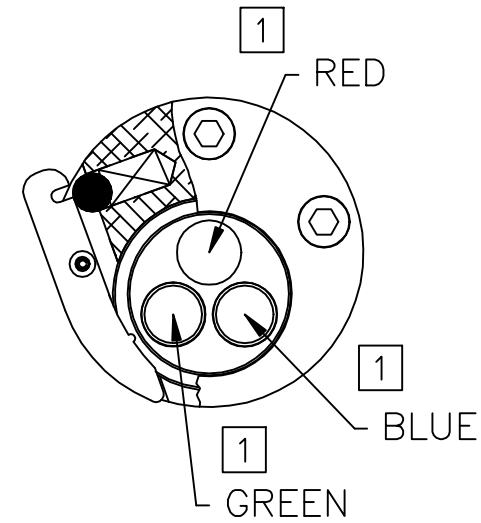
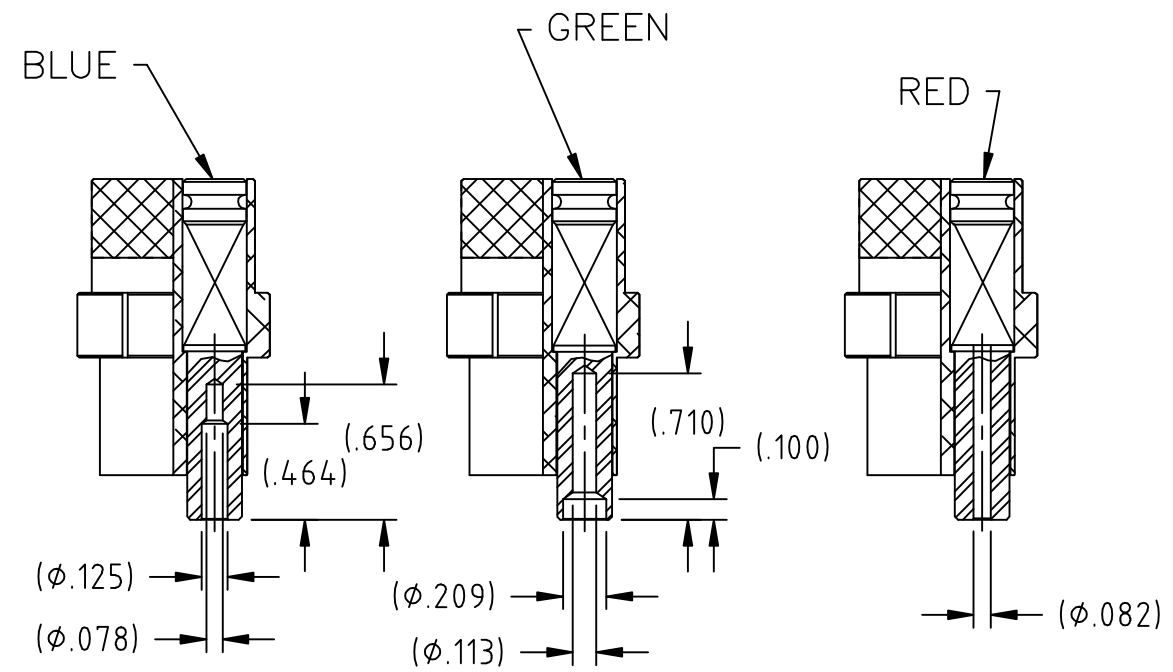
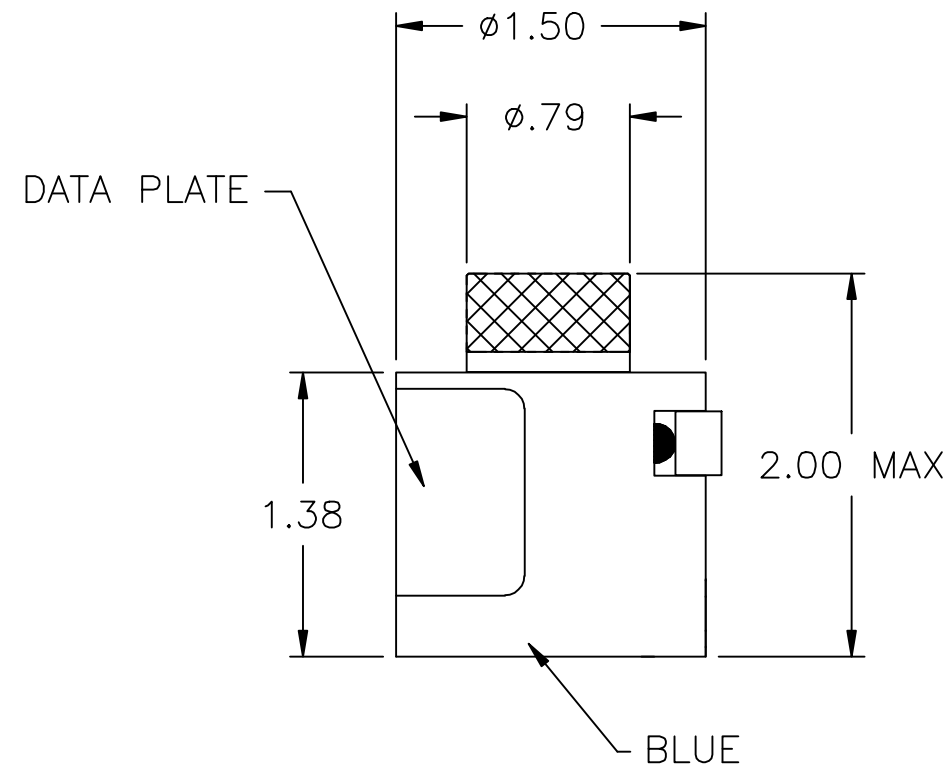


**UNCONTROLLED DOCUMENT  
WILL NOT BE UPDATED**



1  
RANDOM ORDER OF ROTATION IS  
ACCEPTABLE



TYPICAL CONSTRUCTION

ASTRO TOOL CORP. CAGE 58164 BEAVERTON, OREGON, U.S.A.		AMPHENOL 62 INDIA CONNECTORS						
650106 TURRET HEAD USE WITH CRIMP TOOL 615708	CONTACT	COLOR	16	18	20	22	24	WIRE SIZE
	1.5 mm <sup>2</sup> (P) (16 AWG)	BLUE (S)	6	5	4			SEL. NO.
	0.75mm <sup>2</sup> (20 AWG)	RED			4	3	2	

NAME/DATA PLATE

A NEW RELEASE.					DYO	03-12-10	MMK	THESE DRAWINGS, SPECIFICATIONS OR OTHER DATA ARE AND REMAIN, THE PROPERTY OF ASTRO TOOL CORP. AND MUST BE RETURNED UPON REQUEST. THEY CONTAIN INFORMATION OWNED AND/OR DEVELOPED BY ASTRO AT ITS OWN PRIVATE EXPENSE AND MAY NOT BE USED, DUPLICATED OR DISCLOSED TO OTHERS, IN WHOLE OR IN PART FOR DESIGN, MANUFACTURE OR PROCUREMENT WITHOUT THE WRITTEN PERMISSION OF ASTRO TOOL CORP. EACH AND EVERY TIME.	SCALE: N.T.S.	UNLESS OTHERWISE SPECIFIED: DECIMALS: .XXX ± .005 .XX ± .010 .X ± .030 ANGLES: ± 1°	21615 S.W. TUALATIN VALLEY HWY., BEAVERTON OR 97006	CAGE 58164 DESCRIPTION: ENVELOPE DRAWING: 650106 TURRET ASSEMBLY
REV.	DESCRIPTION	BY	DATE	APR.					DWN BY: DYO			

NOTES: 1. THIS IS AN AUTOCAD DRAWING DO NOT CHANGE MANUALLY.