

- MATERIAL:**
 HOUSING: GLASS FILLED POLYESTER; COLOR: BLACK.
 CONTACT: PHOS BRONZE
 LATCH: GLASS FILLED POLYESTER; COLOR: BLACK
- FINISH:**
 0.00076 [$.000030$] MIN GOLD PLATE IN CONTACT AREA,
 0.00254 [$.000100$] MIN MATTE TIN ON SOLDER POSTS, ALL
 OVER 0.00127 [$.000050$] MIN NICKEL
- AMP LOGO, TE PART NUMBER, DATE CODE AND CSA LOGO INK STAMPED WHITE (HOT STAMPED OR LAZER PRINTED) IN THE APPROXIMATE AREA SHOWN, EITHER SIDE PERMISSABLE, WHEN HOUSING SIZE PERMITS**
- DATUMS AND BASIC DIMENSIONS ESTABLISHED BY CUSTOMER**
- CONNECTORS SHOWN ARE USED IN APPLICATIONS WITH VRM MODULES WEIGHING 3 OUNCES OR LESS. ALTERNATE CONNECTOR AND LATCH METHOD IS AVAILABLE FOR VRM MODULES WEIGHING UP TO 6 OUNCES.**
- CAUTION: LATCHES ARE INTENDED FOR RETENTION OF PC BOARD TO CONNECTOR. DO NOT ATTEMPT TO FULLY EJECT PC BOARD FROM CONNECTOR WHILE DISENGAGING LATCHES. DAMAGE TO LATCHES AND OR CONNECTOR MAY OCCUR**
- RECOMMENDED FINISHED HOLE SIZES:**
 TIN PLATED HOLE - $\varnothing 1.02 \pm 0.08$ [$\varnothing 0.40 \pm .003$]
 GOLD PLATED - $\varnothing 1.07 \pm 0.05$ [$\varnothing 0.42 \pm .002$]
- OBsolete PARTS: OBsolete CIS STREAMLINING PER D.RENAUD/D.SINISI**

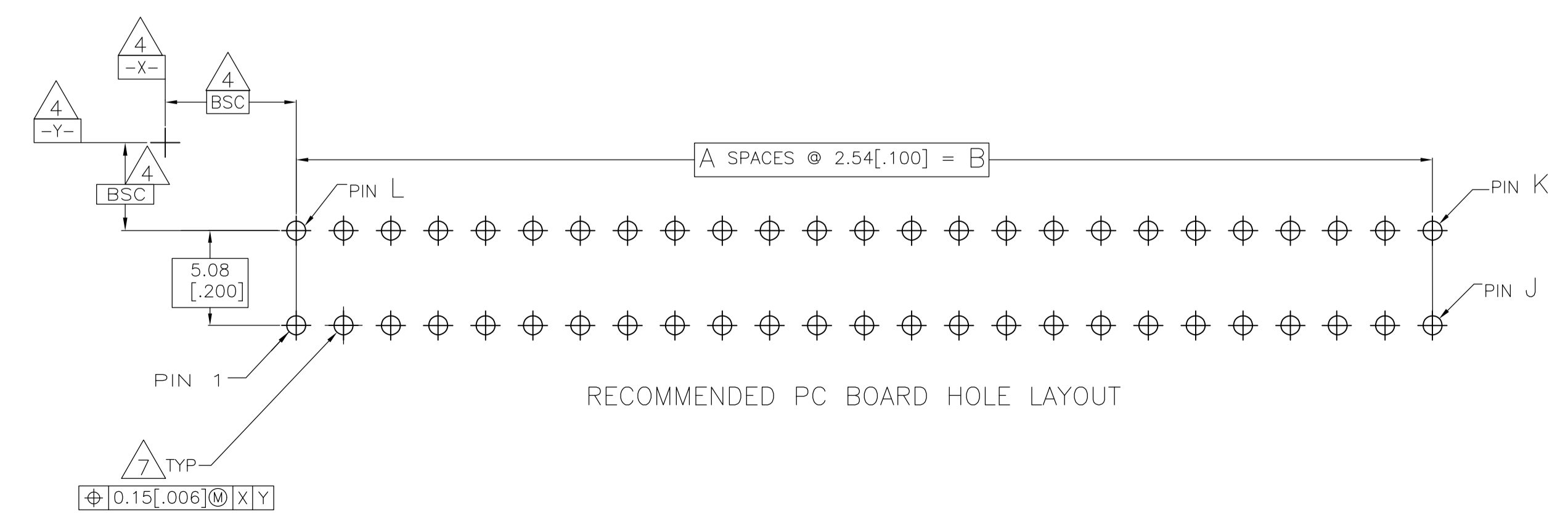
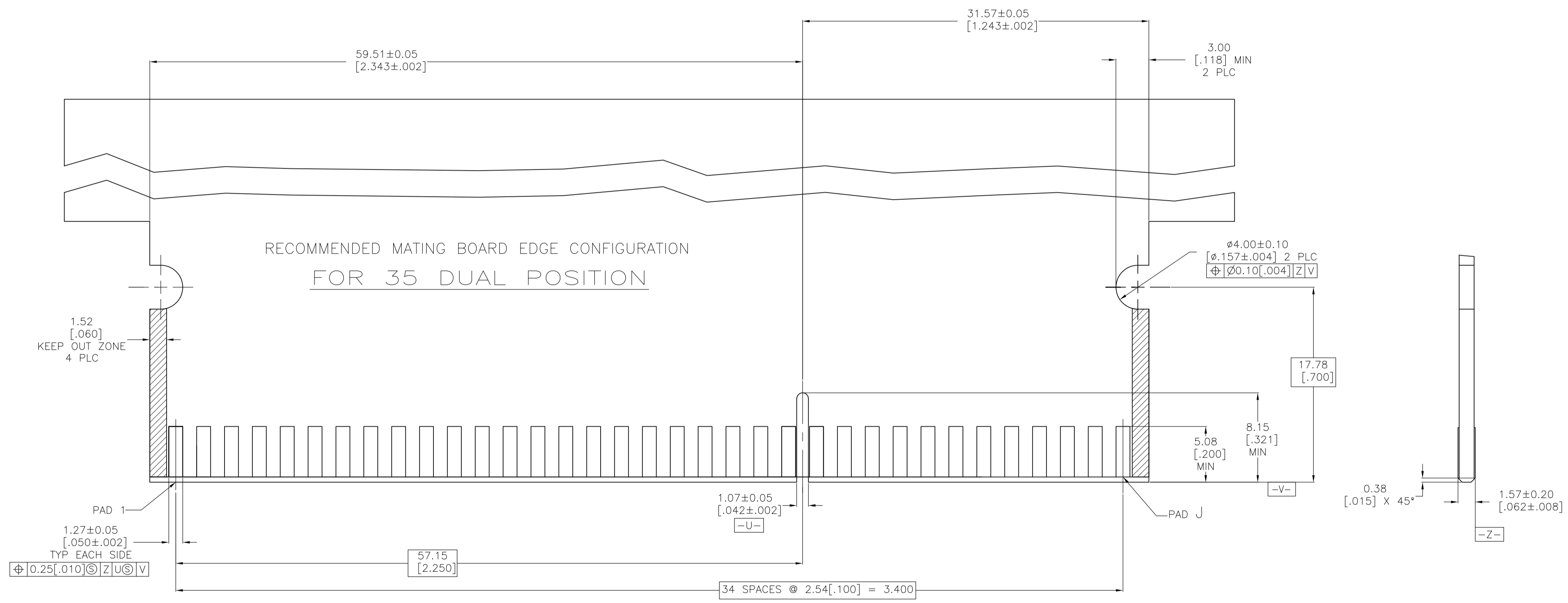
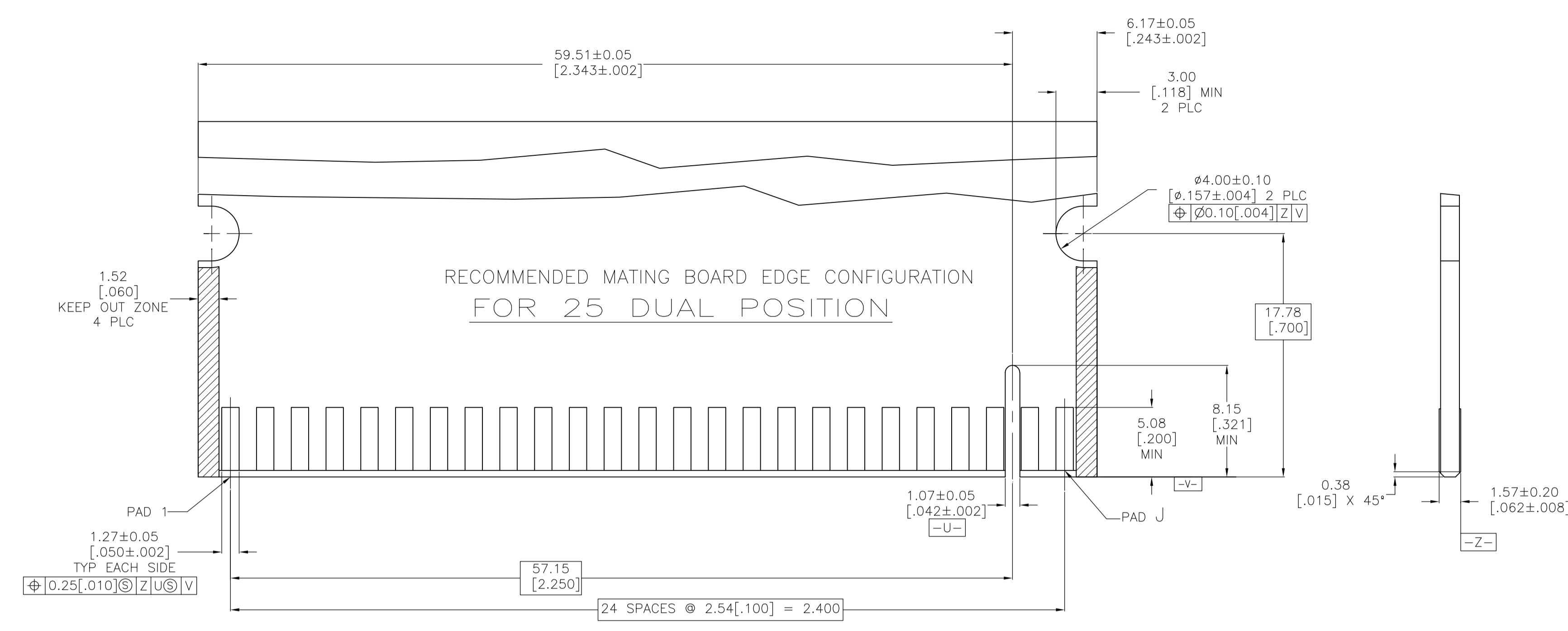
OBsolete	6489648-4
OBsolete	6489648-3
OBsolete	6489648-2
OBsolete	6489648-1

PART NUMBER

	23 & 24	-	70	36	35	57.15	107.26	123.16	110.08	100.18	92.68	86.36	34	35	6489648-6	
8	OBsolete	23 & 24	8	50	26	25	57.15	81.86	97.76	84.68	74.78	67.28	60.96	24	25	6489648-5
		MOLDED-IN KEYING FEATURE LOCATED BETWEEN PINS	OMITTED PIN & HOLE	L	K	J	H	G	F	E	D	C	B	A	NO OF DUAL POSITIONS	PART NUMBER

THIS DRAWING IS A CONTROLLED DOCUMENT.

DIMENSIONS: mm [INCHES]	TOLERANCES UNLESS OTHERWISE SPECIFIED:	DIN AWF/L.A.MAYER 04MAR2008	AWF/L.A.MAYER 04MAR2008	Tyco Electronics Corporation Harrisburg, PA 17105-3608
0 PLC ± -	1 PLC ± -	2 PLC ± 0.13[.005]	3 PLC ± -	4 PLC ± -
ANGLES ± 2°		AWPD S.FLICKINGER 04MAR2008	NAME	CONTRACTOR ASSEMBLY, STANDARD EDGE II, DUAL POSITION, 2.54[.100] CENTERLINE
MATERIAL SEE NOTE 1	FINISH SEE NOTE 2	SIZE	CAGE CODE	DRAWING NO
		A1	00779	6489648
		WEIGHT		
		CUSTOMER DRAWING	SCALE 5:1	SHEET 1 OF 2



THIS DRAWING IS A CONTROLLED DOCUMENT.		DIN AWF/L.A.MAYER 04MAR2008	Tyco Electronics Tyco Electronics Corporation Harrisburg, PA 17105-3608
DIMENSIONS: mm [INCHES]		CHK A.W.FRANTUM 04MAR2008	
TOLERANCES UNLESS OTHERWISE SPECIFIED:		APVD S.FLICKINGER 04MAR2008	NAME
0 PLC ± -	1 PLC ± ±	PRODUCT SPEC	CONNECTOR ASSEMBLY, STANDARD EDGE II, DUAL POSITION, 2.54[.100] CENTERLINE
2 PLC ± ±	3 PLC ± ±	APPLICATION SPEC	108-9039-1
4 PLC ± ±	ANGLES ± ±	SIZE	114-13018
MATERIAL SEE NOTE 1	FINISH SEE NOTE 2	WEIGHT	A1 00779 C=6489648
CUSTOMER DRAWING		SCALE	5:1 SHEET 2 OF 2 REV B1