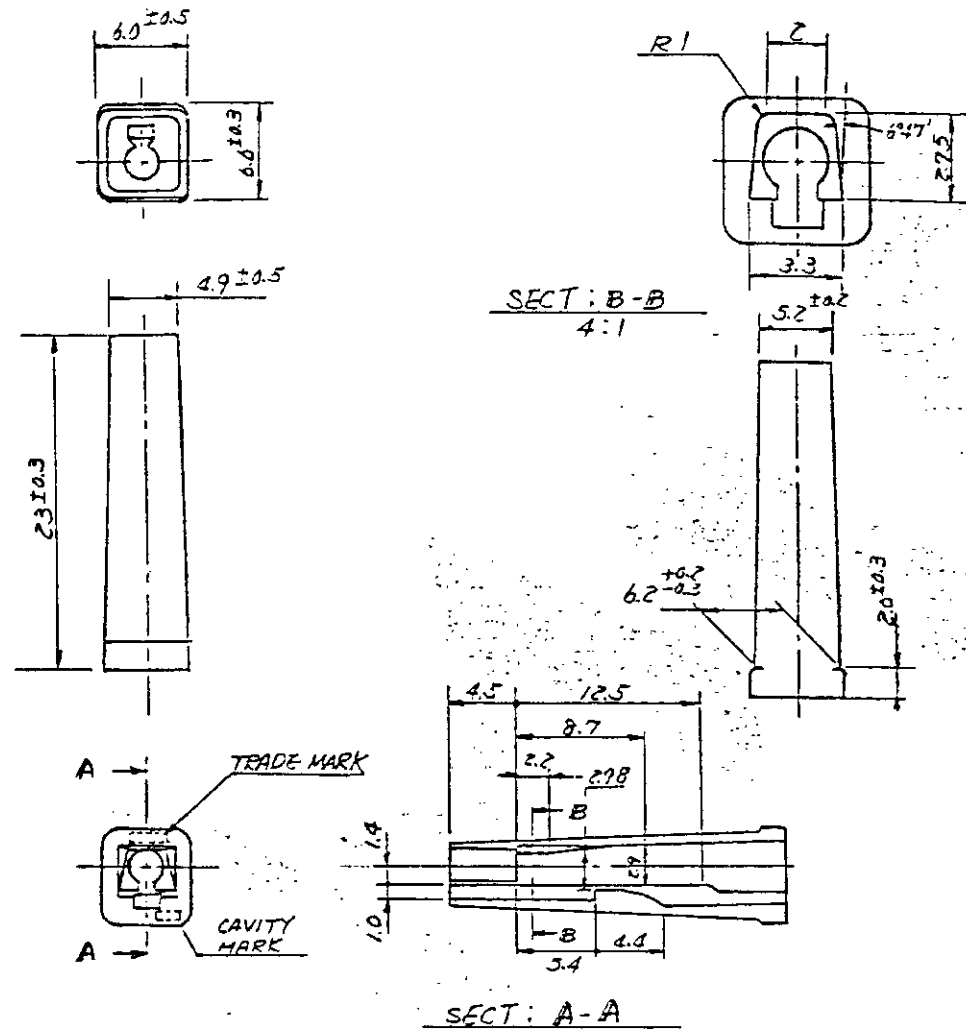


171156



NOTES.

- 1. PRODUCT SPEC NO 108-5054.
製品規格書番号 108-5054.
- △ PRODUCT OF BRASIL.
ブラジル生産品。

PART NO	MATL	COLOR
-6	NORYL SE-17	LIGHT GRAY
-2	NORYL SE-1	WHITE
171156-1	NORYL 100	GRAY

単位: 寸 DIMENSIONS IN MIL. DO NOT SCALE PRINT

				由 AMP (Japan) Ltd. ALL RIGHTS RESERVED. AMP PRODUCTS COVERED BY PATENTS AND/OR PATENTS PENDING.		商標 図 面 (CUSTOMER COPY) REFERENCE ONLY	
変更 (材料名称) FJ00-5321-96 <i>Sm S</i> <i>FTJ</i> 5-SEP '96				材料: SEE TABLE		AMP AMP (JAPAN), LTI Tokyo, Japan	
変更 (寸法追加) <i>7-10-88</i> <i>Y. Q</i> <i>MS</i> 7/10/88				表面仕上: +		線径 (WIRE RANGE): + mm (AWG)	
OBSOLETE-3,4,5 ECN NO. J-9485 <i>Y. Q</i> <i>MS</i> 8/1/86				絶縁 (INSULATION DIA.): + mm (IN)		線径 (WIRE RANGE): + mm (AWG)	
JE A ECN J82-6602 <i>a. l. m. i.</i> 7/5/82				公差 (TOLERANCE): ± 0.4 (EXCEPT ± 0.15") (AS NOTED) ± 0.0		縮尺 (SCALE): 2:1	
LTR. 変更 (REVISION RECORD)		DR. <i>a. l. m. i.</i> 7/5/82		品名: 1 POS PIN RECEPTACLE HOUSING FOR 236P PIN CONTACT.		品番: JAC-171156	
DR.		DE		品番: JAC-171156		規格: JAC-171156	
CHK.		APP. <i>a. l. m. i.</i> 7/5/82		品名: 1 POS PIN RECEPTACLE HOUSING FOR 236P PIN CONTACT.		規格: JAC-171156	