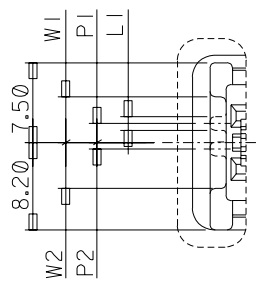
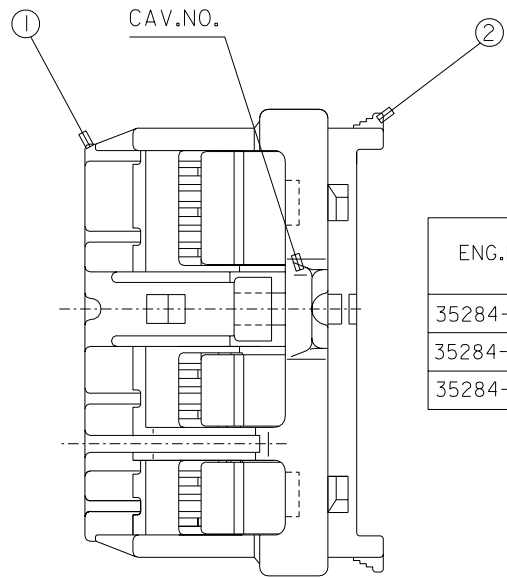


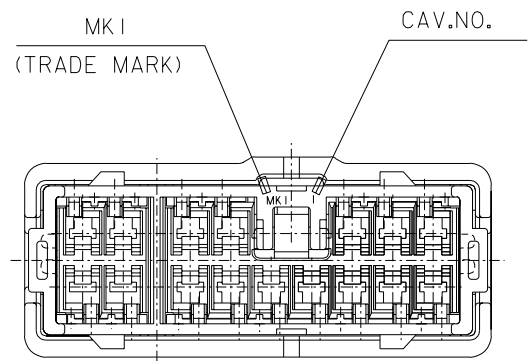
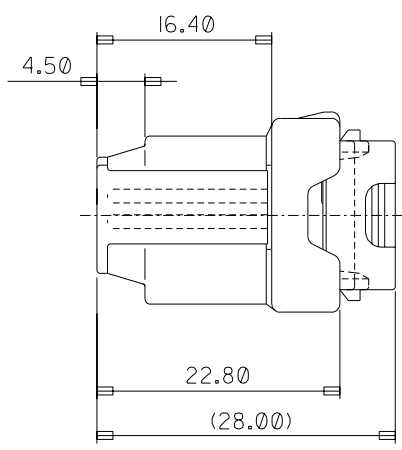
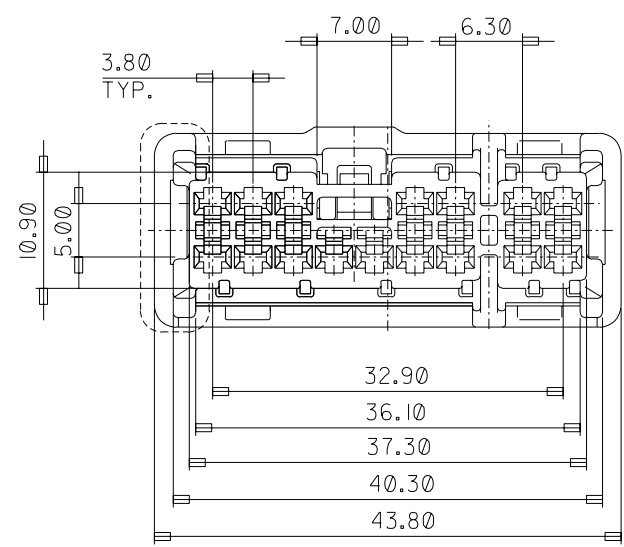
PROJECT NO. SD-35284-1610
 SIMILAR ITEM
 DO NOT SCALE DRAWING DIMENSION IN METRIC



POLARIZED GUIDE RIBS



ENG.NO.	DIMENSIONS					COLOR
	L1	P1	P2	W1	W2	
35284-1690	// (NO RIB)			4.20	2.70	NATURAL
35284-1695	1.30	1.80	//	4.30	4.30	GRAY
35284-1697	1.30	//	0.60	4.30	4.30	BROWN



	PART NO.	PART NAME	MATERIAL
①	35284-169*	UNICONN FEMALE HOUSING-16P	PBT
②	35285-1681	UNICONN FEMALE TPA-16P	PBT, BLACK

REVISED EC NO. KOR2003-0057 DRWN: S.M.KIM 03/09/10 CHK: B.C.YOON 03/09/10 APPR: G.M.LEE	QUALITY SYMBOLS MAJOR CRITICAL	GENERAL TOLERANCES: (UNLESS SPECIFIED)	SCALE 1:1	DESIGN UNITS <input checked="" type="checkbox"/> mm <input type="checkbox"/> INCH	DIMENSIONS: <input type="checkbox"/> mm <input checked="" type="checkbox"/> INCH <input type="checkbox"/> mm ONLY	SHT	REV
		4 PLACES ±0.1 3 PLACES ±0.1 2 PLACES ±0.1 1 PLACE ±0.30	DRAGON BY & DATE W.Y. YANG, 97/11/17 CHECKED BY & DATE B.K. CHOI, 97/11/17 APPROVED BY & DATE C.W. LEE, 97/11/17	TITLE: UNICONN FEMALE ASS'Y-16P			
B	REV	ANGULAR: ±1.0°	CAD FILENAME SD2841610.DGN	MATERIAL NO. SEE TABLE	DRAWING NO. SD 35284-1610	SHEET NO. 1/1	SIZE C
DRAFT WHERE APPLICABLE MUST REMAIN WITHIN DIMENSIONS		THIS DRAWING CONTAINS INFORMATION THAT IS PROPRIETARY TO MOLEX INCORPORATED AND SHOULD NOT BE USED WITHOUT WRITTEN PERMISSION.				MX-A2	