

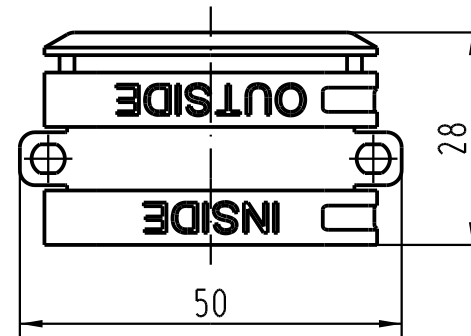
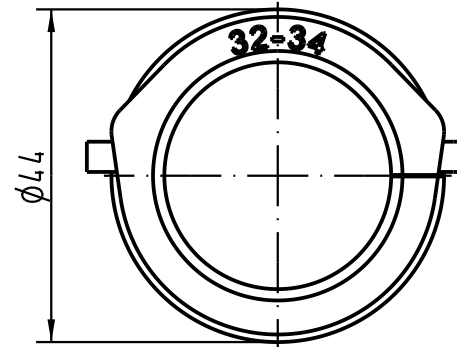
1 2 3 4 5 6

A

B

C

D



| | | | | | | | | | |
|--------|------|---|--|---|----------|------|--|--|--|
| | | All Dimensions in mm Original Size DIN A 4 | | Techn. Character. | | | Nicht tolerierte Masse/ Free size tolerances | | |
| | | | | | Dat. | Name | Massstab/Scale | | Kabeldichtung <i>cable sealing</i> 32-34mm |
| | | | | Detail. | 02.08.05 | Loe. | 1 : 1 | | |
| | | | | Insp. | | Be. | | | |
| | | | | Stand. | | | | | |
| 411733 | | | | HARTING Electric GmbH & Co. KG D-32339 Espelkamp | | | | | TB 11 30 000 9959 |
| Mod. | Dat. | Name | | | | | Sub. | | Blatt/ page |