

# SPECIFICATION FOR APPROVAL



TO: \_\_\_\_\_

PART NO.		REV.		DELTA SAMPLE ISSUE NO	
PART NAME	EMI FILTER		DELTA MODEL		10GENG3E
ORDER P/N.	10GENG3E		SAMPLE ISSUE DATE		

1. ELECTRICAL CHARACTERISTICS:

1-1. VOLTAGE RATING ..... 115/250VAC

1-2. CURRENT RATING

- A. AT 115VAC ..... 10 A RMS Max.
- B. AT 250VAC ..... 10 A RMS Max.

1-3. OPERATING FREQUENCY..... 50/60 Hz

1-4. LEAKAGE CURRENT: EACH LINE TO GROUND

- A. @115VAC 60Hz ..... 0.20 mA Max.
- B. @250VAC 50Hz ..... 0.40 mA Max.

1-5. HIPOT RATING (FOR ONE MINUTE)

- A. LINE TO GROUND ..... 2250VDC
- B. LINE TO LINE ..... 1450VDC

1-6. TEMPERATURE RANGE: -25 TO +100 DEGREE C

1-7. MINIMUM INSERTION LOSS IN dB: (AT 50 OHM SYSTEM)

FREQ. MHz	.01	.05	.10	.15	.50	1.0	5.0	10	30
COM. MODE dB	/	1	2	4	10	13	28	35	40
DIF. MODE dB	/	1	2	4	10	15	25	30	40

1-8. SAFETY

REPORT BY	CHECKED BY	APPROVED BY		
			REV.	

## DELTA ELECTRONICS, INC.

186 RUEY KUANG ROAD, NEIHU. TAIPEI 114,  
TAIWAN, R.O.C.  
TEL:886-2-87972088 FAX:886-2-87972120

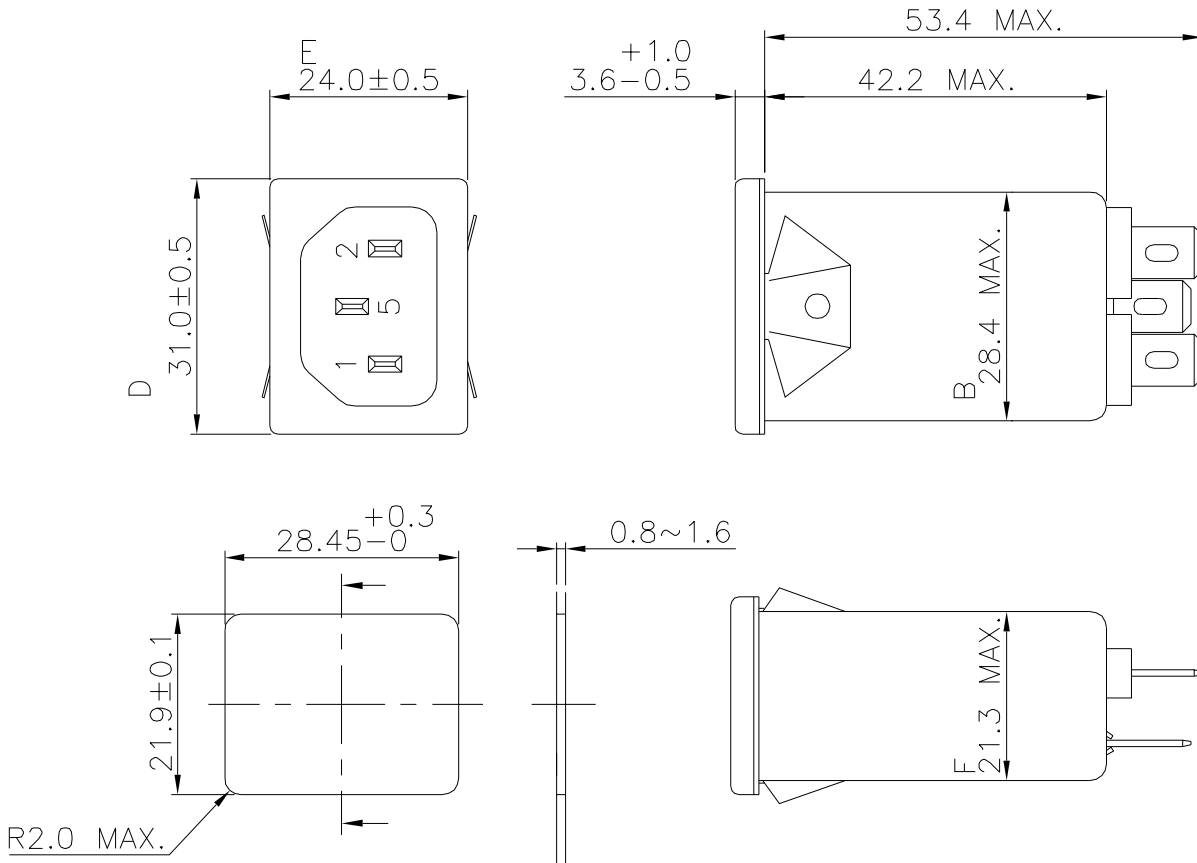
# SPECIFICATION FOR APPROVAL



TO: \_\_\_\_\_

PART NO.		REV.		DELTA SAMPLE ISSUE NO	
PART NAME	EMI FILTER		DELTA MODEL	10GENG3E	
ORDER P/N.	10GENG3E		SAMPLE ISSUE DATE		

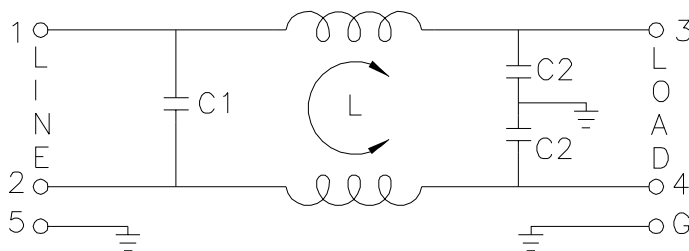
## 2. PHYSICAL DIMENSIONS:



SUGGESTED MOUNTING CUTOUT

UNIT: mm

## 3. SCHEMATIC:



L: 0.2mH  
 C1: 0.1uF  
 C2: 2200pF

REPORT BY	CHECKED BY	APPROVED BY	UNLESS OTHERWISE SPECIFIED DIMENSION TOLERANCE		
			DCEIMALS .X±	.XX±	ANGLES±
			REV.		