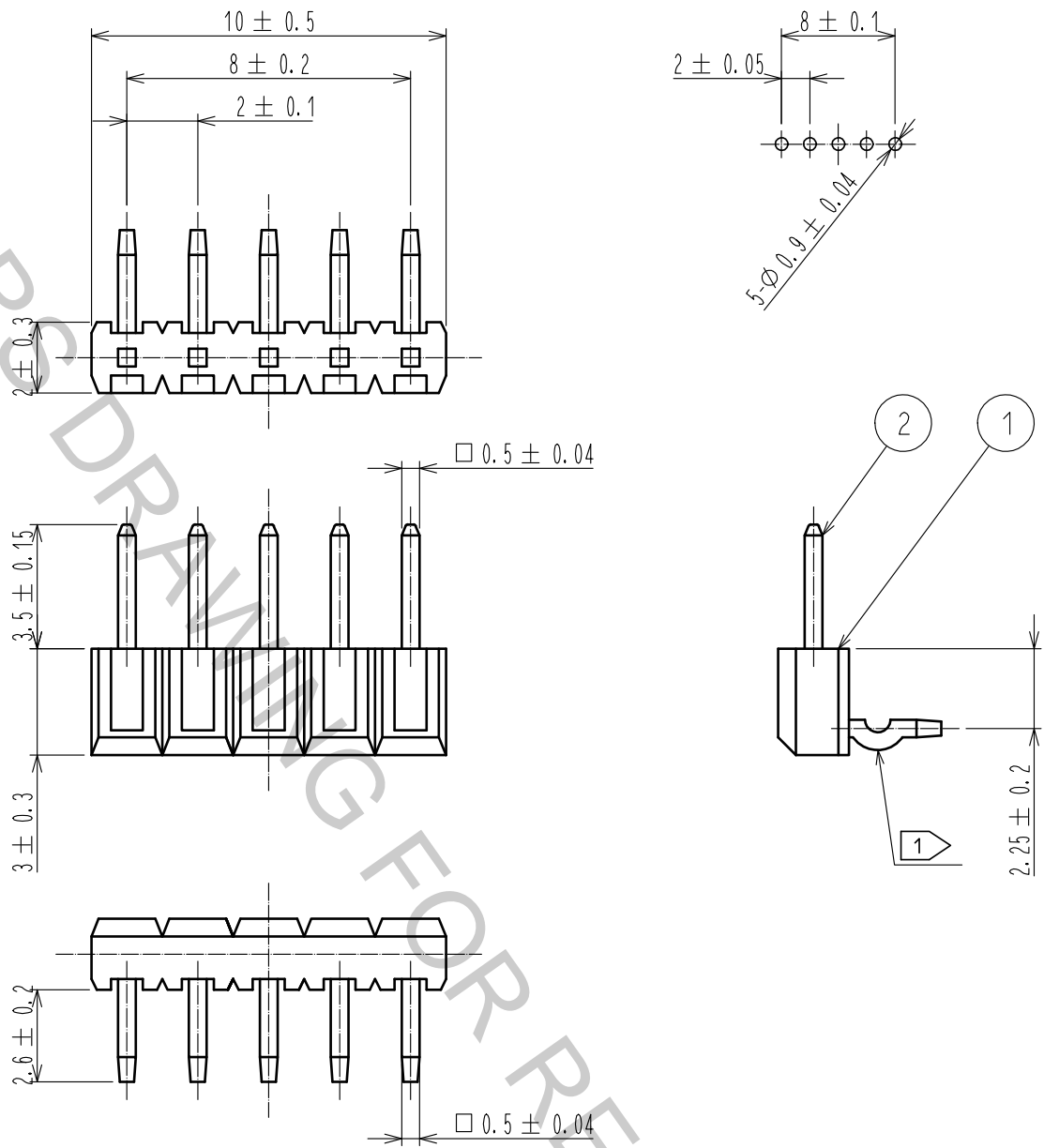


1 2 3 4

A
B
C
D
E

RECOMMENDED PC BOARD HOLE PATTERN

t=1.6 (2:1)



NOTES 1 KINKED TERMINALS ARE SKIPPING STEP STYLE AND THE NUMBER OF KINKED TERMINAL SHALL BE 2 OR 3.

| | | | | | | | | |
|----------------------------|----------|--------------|------------------------|--------------------------|--|----------|---------|------|
| 1 POLYAMIDE BLACK. UL94V-0 | | | 2 PHOSPHOR BRONZE | | CONTACT: GOLD PLATING 0.03μm MIN DIP : TIN PLATING 2μm MIN UNDER :NICKEL PLATING 2μm MIN | | | |
| NO. | MATERIAL | FINISH . | REMARKS | NO. | MATERIAL | FINISH . | REMARKS | |
| UNITS mm | | SCALE 5:1 | COUNT | DESCRIPTION OF REVISIONS | | DESIGNED | CHECKED | DATE |
| HIROSE ELECTRIC CO., LTD. | | | APPROVED :HS. OKAWA | 15.06.04 | DRAWING NO. EDC-080143-71-21 | | | |
| | | | CHECKED :HT. YAMAGUCHI | 15.06.04 | PART NO. A4B-5PA-2DS(71) | | | |
| | | | DESIGNED :MT. ITANO | 15.06.04 | CODE NO. CL622-0354-0-71 | | | |
| | | | DRAWN :MT. ITANO | 15.06.04 | | | | |

A
B
C
D
E
F