

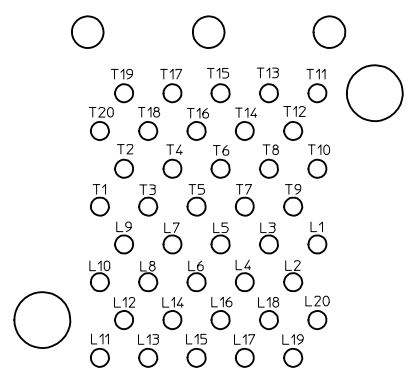
NOTES:

- MATERIAL:
  - CAGE: NICKEL SILVER, THICKNESS: 0.25mm
  - CONNECTOR HOUSING: GLASS FILLED THERMOPLASTIC, UL: 94 V-0, COLOR: BLACK
  - OVERMOLD TERMINAL HOUSING: GLASS FILLED THERMOPLASTIC, UL: 94 V-0, COLOR: BLACK
  - TERMINALS: BRASS
- FINISH
  - TERMINALS: CONTACT AREA: 0.76 MICROMETERS MINIMUM HARD GOLD OVER 1.27 MICROMETERS MINIMUM NICKEL.
  - COMPLIANT TAIL - TIN/LEAD OPTION: 0.76 - 1.52 MICROMETERS 90/10 TIN/LEAD OVER 0.76 - 1.52 MICROMETERS NICKEL
  - COMPLIANT TAIL - TIN OPTION: 0.76 - 1.52 MICROMETERS TIN OVER 0.76 - 1.52 MICROMETERS NICKEL
- REFER TO PS-75310-001 PRODUCT SPEC FOR ALL ELECTRICAL, MECHANICAL AND ENVIRONMENTAL SPECIFICATIONS.
- REFER TO PK-75451-001 FOR ALL PACKAGING SPECIFICATIONS.
- THE CURVED TAILS THAT GO INTO THE HOLES LOCATED BY THESE DIMENSIONS ARE BEING ELIMINATED. TO ACCOMMODATE THIS CONVERSION, IT IS RECOMMENDED THAT BOARDS DESIGNED TO THIS PRINT REVISION INCLUDE THESE HOLES.
- PART COMPLIES WITH COSMETIC SPECIFICATION PS-45499-002. SEE SHEET 4 SECTION Z-Z FOR SURFACE CLASSIFICATIONS. UNDERSIDE OF CAGE COMPLIES WITH CLASS "C".

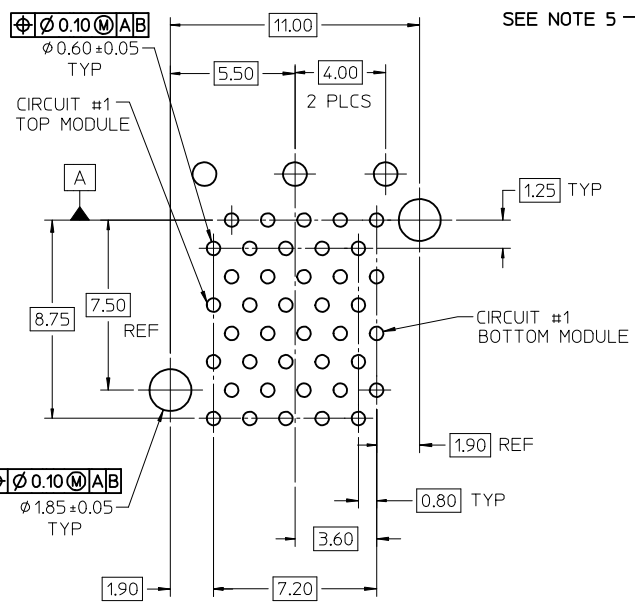
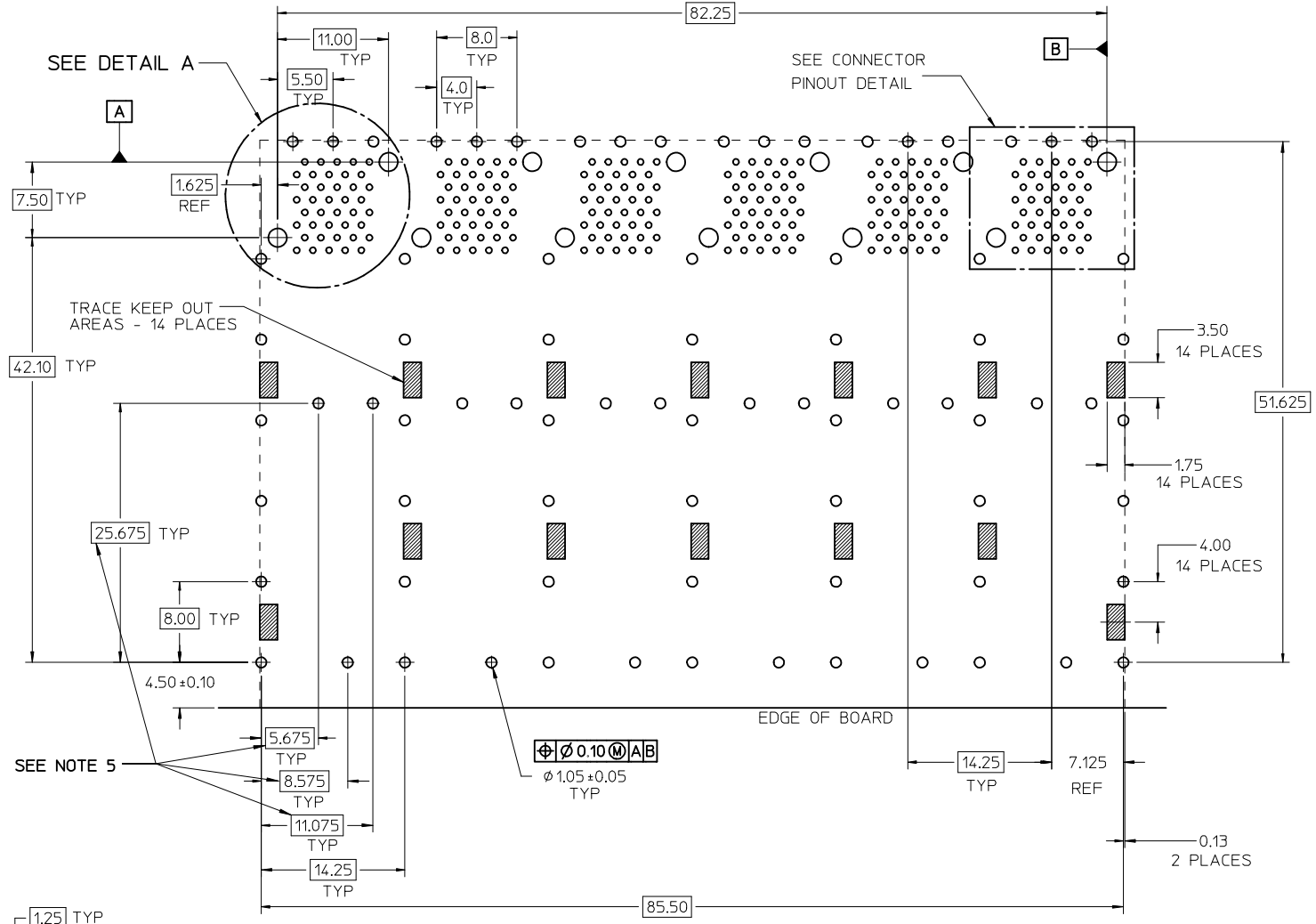
754775001	TIN
754770001	TIN / LEAD
MATERIAL NO.	TERMINAL TAIL PLATING

<b>ADD KEEP OUT ZONES</b> EC NO: UCP2010-0369 DRAWN BY: DRWNHMSIBARRA 2009/07/09 CHKD: 2009/08/26 APPR: SMILLER 2009/08/27	QUALITY SYMBOLS ▽=0 ▽=0	GENERAL TOLERANCES (UNLESS SPECIFIED)		DIMENSION STYLE <b>MM ONLY</b>		SCALE <b>3:1</b>	DESIGN UNITS <b>METRIC</b>	THIRD ANGLE PROJECTION																	
		<table border="1"> <thead> <tr> <th></th> <th>mm</th> <th>INCH</th> </tr> </thead> <tbody> <tr> <td>4 PLACES</td> <td>± ---</td> <td>± ---</td> </tr> <tr> <td>3 PLACES</td> <td>± ---</td> <td>± ---</td> </tr> <tr> <td>2 PLACES</td> <td>± 0.13</td> <td>± ---</td> </tr> <tr> <td>1 PLACE</td> <td>± 0.25</td> <td>± ---</td> </tr> </tbody> </table>			mm	INCH	4 PLACES	± ---	± ---	3 PLACES	± ---	± ---	2 PLACES	± 0.13	± ---	1 PLACE	± 0.25	± ---	DRAWN BY DATE JLONG 02-04-2004		TITLE <b>STACKED SFP 2X6 MEDIUM HEIGHT ASS'Y, PRESS-FIT TAIL WITHOUT LIGHT PIPES</b>		MOLEX INCORPORATED		SHEET NO. <b>1 OF 4</b>
			mm	INCH																					
		4 PLACES	± ---	± ---																					
3 PLACES	± ---	± ---																							
2 PLACES	± 0.13	± ---																							
1 PLACE	± 0.25	± ---																							
ANGULAR ± 5 °		CHECKED BY DATE KREGNIER 02-27-2004		APPROVED BY DATE KREGNIER 04-28-2004		DOCUMENT NO. <b>SD-75477-001</b>		THIS DRAWING CONTAINS INFORMATION THAT IS PROPRIETARY TO MOLEX INCORPORATED AND SHOULD NOT BE USED WITHOUT WRITTEN PERMISSION																	
DRAFT WHERE APPLICABLE MUST REMAIN WITHIN DIMENSIONS		MATERIAL NO. <b>SEE TABLE</b>		SIZE <b>C</b>		SEE TABLE		SEE TABLE																	





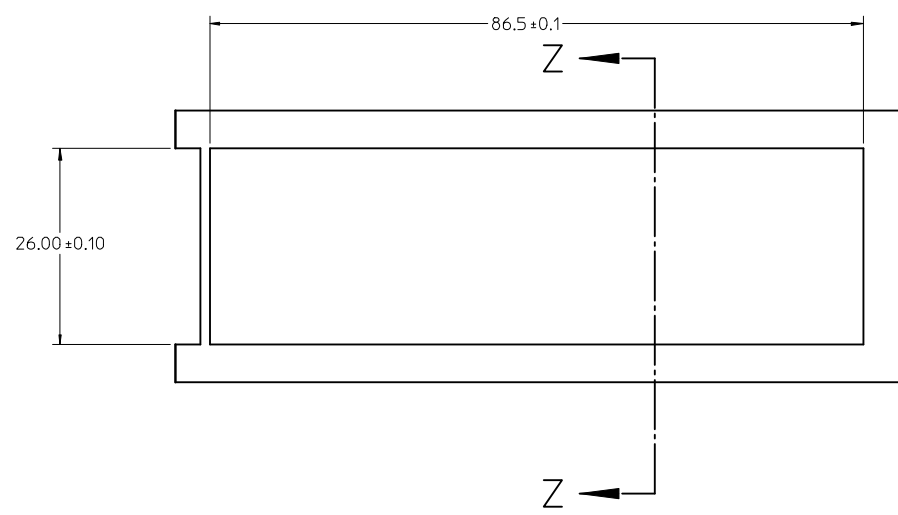
CONNECTOR PINOUT DETAIL  
COMPONENT SIDE OF BOARD



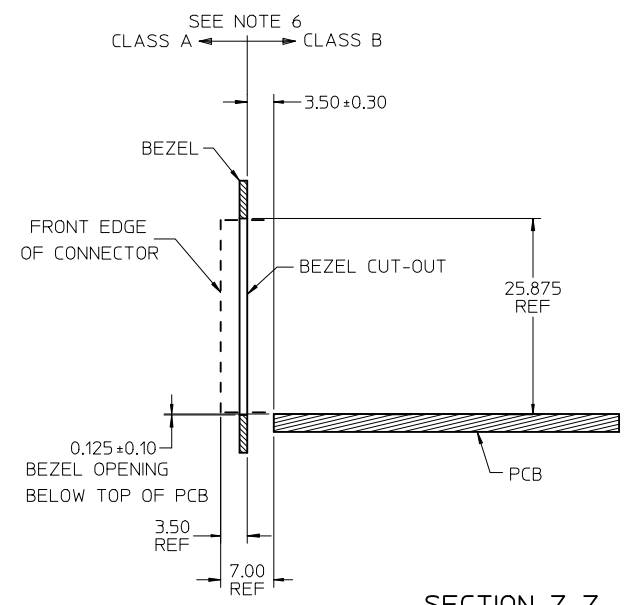
DETAIL A  
SCALE 6:1

RECOMMENDED PCB LAYOUT - COMPONENT SIDE  
RECOMMENDED PCB THICKNESS - 2.36 MM (.093 INCH)  
THE ENTIRE AREA OF THE CONNECTOR FOOTPRINT  
TO BE CONSIDERED THE KEEP OUT AREA FOR COMPONENTS  
THIS AREA IS INDICATED BY THE DASHED LINE

<b>ADD KEEP OUT ZONES</b> EC NO: UCP2010-0369 DRWN:MSBARRA 2009/07/09 CHKD: 2009/08/26 APPR:SMILLER 2009/08/27	QUALITY SYMBOLS ▽=0 ▽=0	GENERAL TOLERANCES (UNLESS SPECIFIED)		DIMENSION STYLE <b>MM ONLY</b>		SCALE <b>3:1</b>	DESIGN UNITS <b>METRIC</b>	THIRD ANGLE PROJECTION	
		4 PLACES ± --- ± ---	mm	INCH	DRAWN BY JLONG	DATE 02-04-2004	<b>STACKED SFP 2X6 MEDIUM HEIGHT ASS'Y, PRESS-FIT TAIL WITHOUT LIGHT PIPES</b>		
		3 PLACES ± --- ± ---			CHECKED BY KREGNIER	DATE 02-27-2004			
		2 PLACES ± 0.13 ± ---			APPROVED BY KREGNIER	DATE 04-28-2004	<b>MOLEX INCORPORATED</b>		
1 PLACE ± 0.25 ± ---			ANGULAR ± 5 °		MATERIAL NO.		DOCUMENT NO.	SHEET NO.	
DRAFT WHERE APPLICABLE MUST REMAIN WITHIN DIMENSIONS		SEE TABLE		SD-75477-001		3 OF 4			
THIS DRAWING CONTAINS INFORMATION THAT IS PROPRIETARY TO MOLEX INCORPORATED AND SHOULD NOT BE USED WITHOUT WRITTEN PERMISSION									

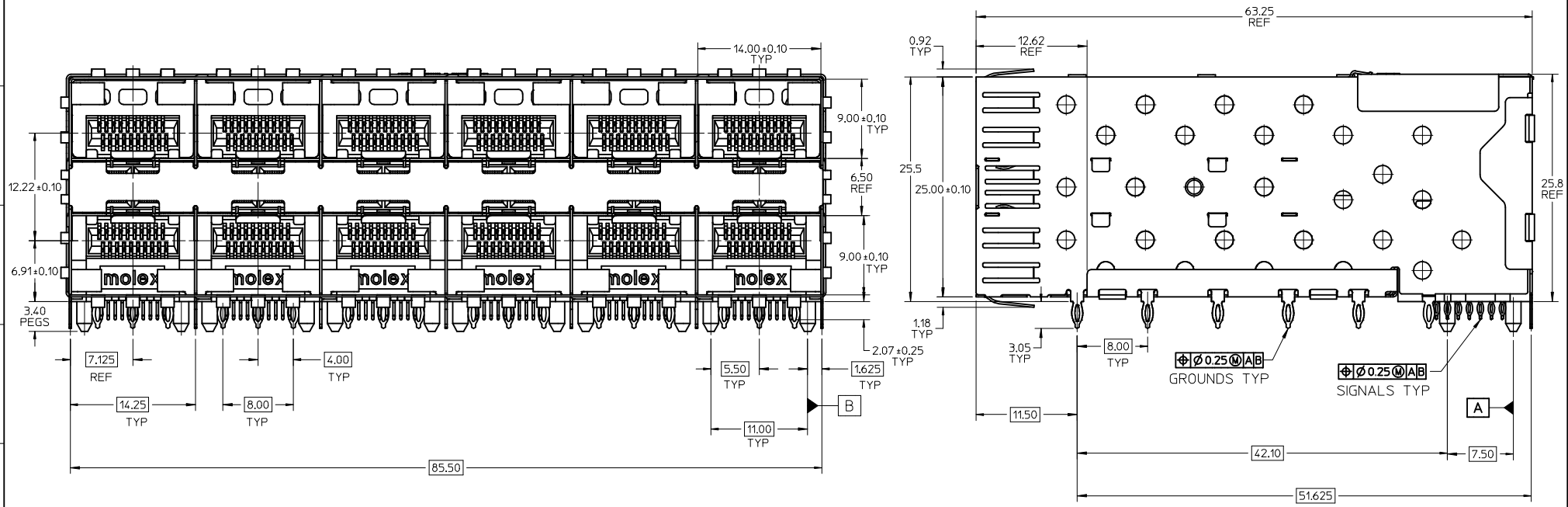


BEZEL CUT-OUT OPENING DETAIL  
BEZEL THICKNESS 0.8 - 2.6



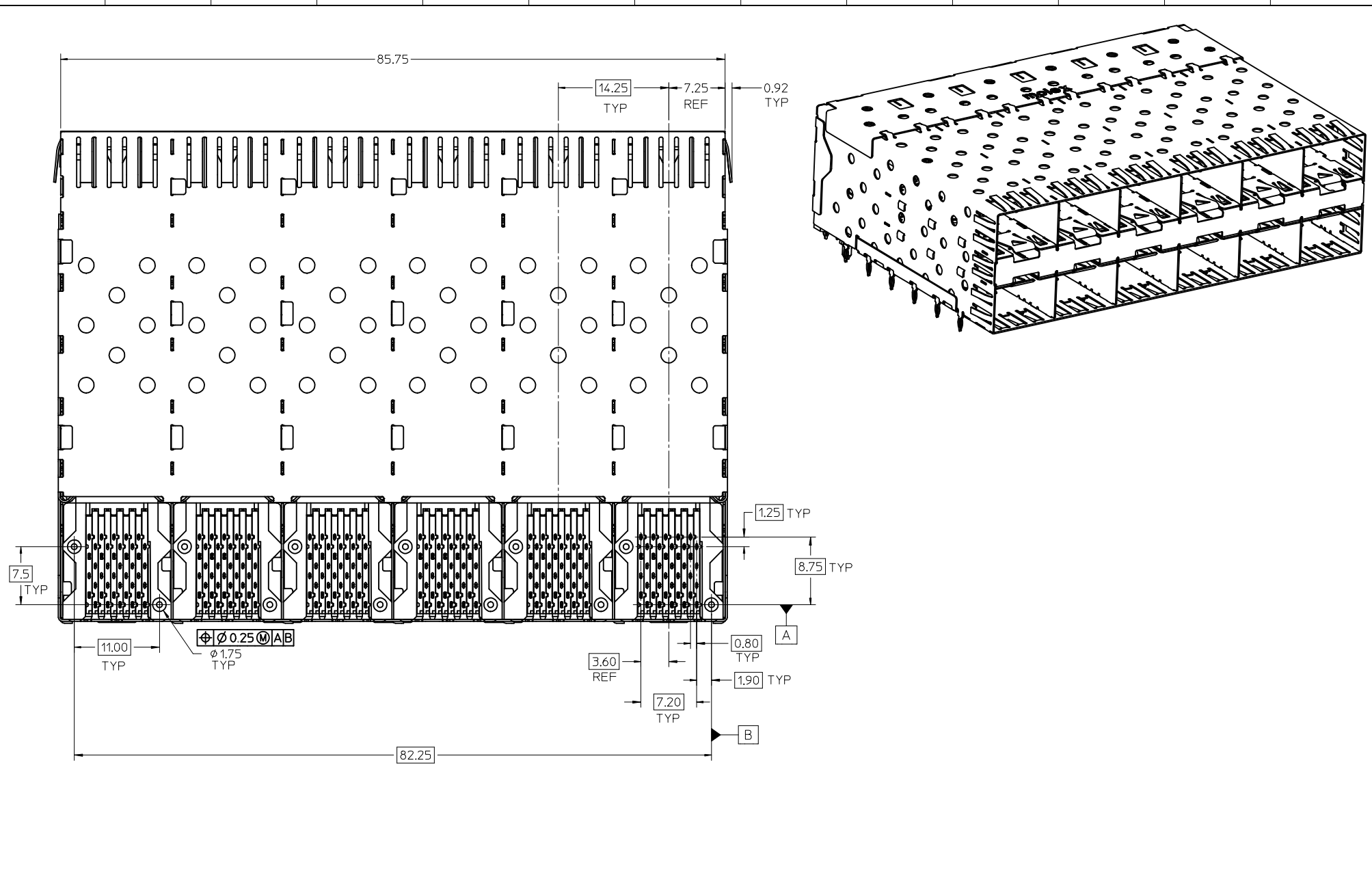
SECTION Z-Z

<b>SEE SHEET 1</b> EC NO: UCP2010-0369 DRWN:MSI BARRA 2009/07/09 CHKD: 2009/08/26 APPR:SMILLER 2009/08/27	QUALITY SYMBOLS = 0 = 0	GENERAL TOLERANCES (UNLESS SPECIFIED)		DIMENSION STYLE <b>MM ONLY</b>	SCALE <b>2:1</b>	DESIGN UNITS <b>METRIC</b>	THIRD ANGLE PROJECTION														
		<table border="1"> <tr><th>PLACES</th><th>mm</th><th>INCH</th></tr> <tr><td>4 PLACES</td><td>± 0.10</td><td>± 0.004</td></tr> <tr><td>3 PLACES</td><td>± 0.13</td><td>± 0.005</td></tr> <tr><td>2 PLACES</td><td>± 0.25</td><td>± 0.010</td></tr> <tr><td>1 PLACE</td><td>± 0.25</td><td>± 0.010</td></tr> </table>	PLACES	mm	INCH	4 PLACES	± 0.10	± 0.004	3 PLACES	± 0.13	± 0.005	2 PLACES	± 0.25	± 0.010	1 PLACE	± 0.25	± 0.010	DRAWN BY JLONG	DATE 02-04-2004	TITLE <b>STACKED SFP 2X6 MEDIUM HEIGHT ASS'Y, PRESS-FIT TAIL WITHOUT LIGHT PIPES</b>	
		PLACES	mm	INCH																	
		4 PLACES	± 0.10	± 0.004																	
3 PLACES	± 0.13	± 0.005																			
2 PLACES	± 0.25	± 0.010																			
1 PLACE	± 0.25	± 0.010																			
CHECKED BY KREGNIER	DATE 02-27-2004	APPROVED BY KREGNIER		DATE 04-28-2004	<b>MOLEX INCORPORATED</b>																
MATERIAL NO. <b>SEE TABLE</b>	DRAFT WHERE APPLICABLE MUST REMAIN WITHIN DIMENSIONS		SIZE 	DOCUMENT NO. <b>SD-75477-001</b>		SHEET NO. <b>4 OF 4</b>															

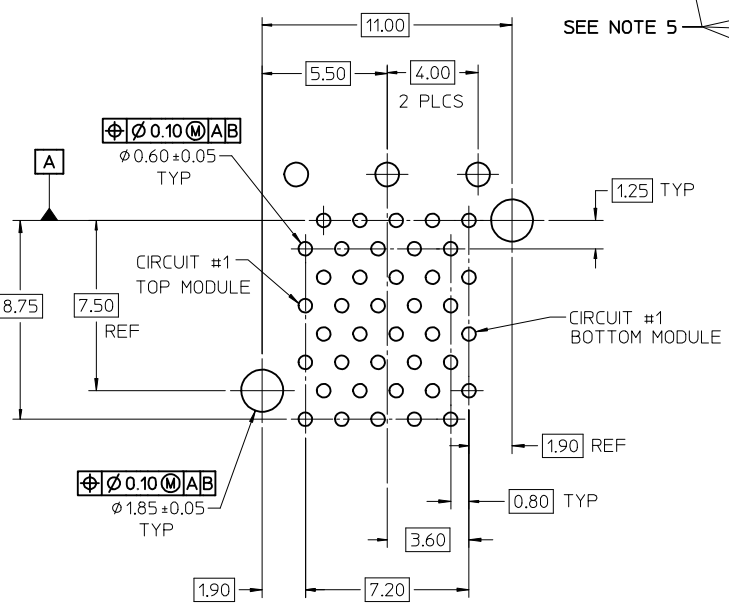
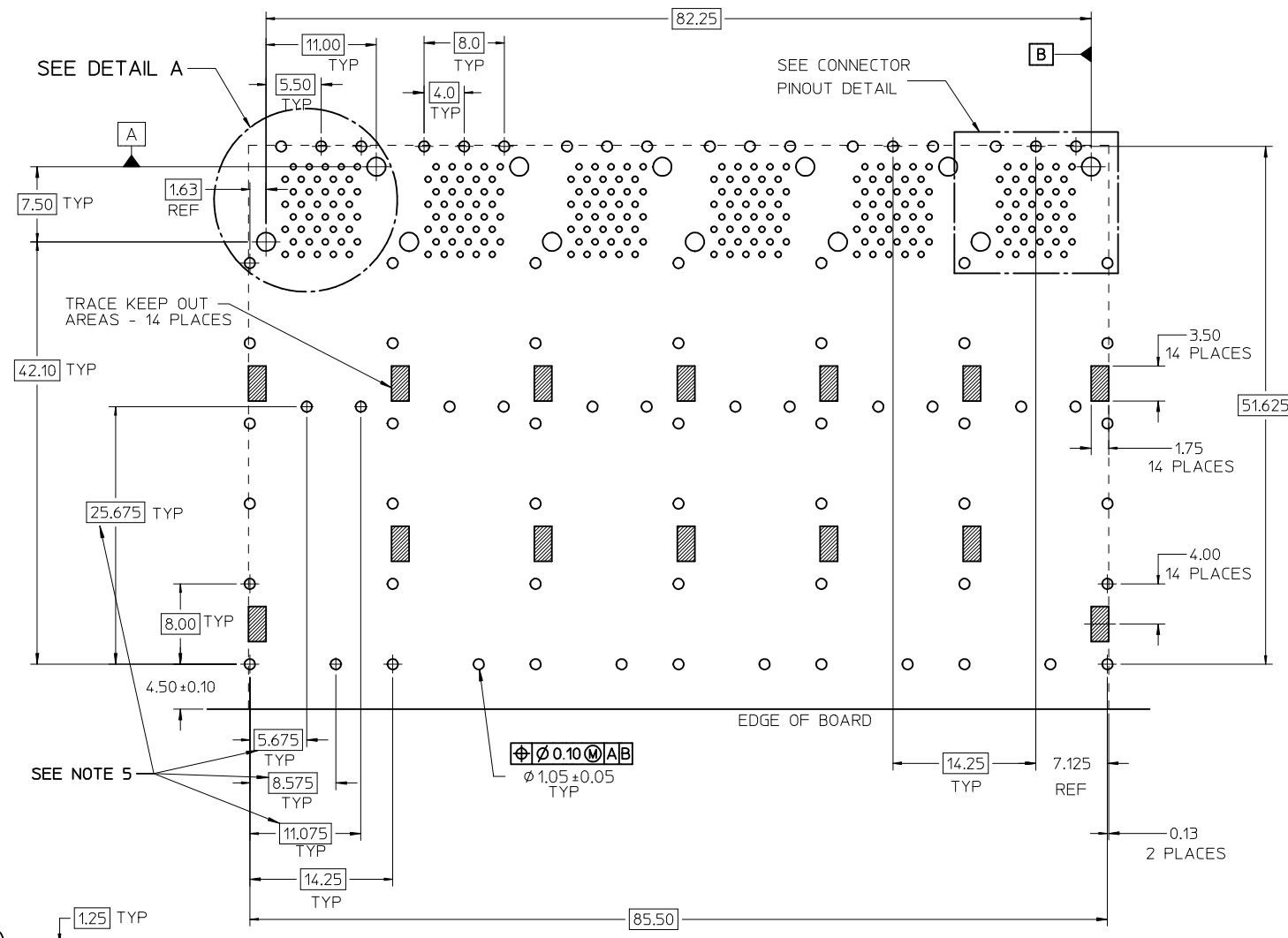
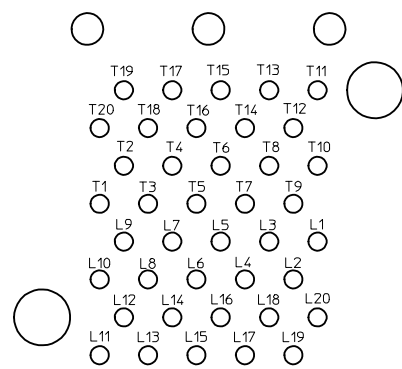


- NOTES:
- MATERIAL:
    - CAGE: NICKEL SILVER, THICKNESS: 0.25mm
    - CONNECTOR HOUSING: GLASS FILLED THERMOPLASTIC, UL: 94 V-0, COLOR: BLACK
    - OVERMOLD TERMINAL HOUSING: GLASS FILLED THERMOPLASTIC, UL: 94 V-0, COLOR: BLACK
    - TERMINALS: BRASS
  - FINISH
    - TERMINALS: CONTACT AREA: 0.76 MICROMETERS MINIMUM HARD GOLD OVER 1.27 MICROMETERS MINIMUM NICKEL.
    - COMPLIANT AREA: 0.76 - 1.52 MICROMETERS 90/10 TIN/LEAD OVER 0.76 - 1.52 MICROMETERS NICKEL.
  - REFER TO PS-75310-001 PRODUCT SPEC FOR ALL ELECTRICAL, MECHANICAL AND ENVIRONMENTAL SPECIFICATIONS.
  - REFER TO PK-75451-001 FOR ALL PACKAGING SPECIFICATIONS.
  - THE CURVED TAILS THAT GO INTO THE HOLES LOCATED BY THESE DIMENSIONS ARE BEING ELIMINATED. TO ACCOMMODATE THIS CONVERSION, IT IS RECOMMENDED THAT BOARDS DESIGNED TO THIS PRINT REVISION INCLUDE THESE HOLES.
  - PART COMPLIES WITH COSMETIC SPECIFICATION PS-45499-002. SEE SHEET 4 SECTION Z-Z FOR SURFACE CLASSIFICATIONS. UNDERSIDE OF CAGE COMPLIES WITH CLASS "C".

ADD KEEP OUT ZONES EC NO: UCP2010-0369 DRWN:MS BARRA 2009/07/09 CHKD: 2009/08/26 APPR: MILLER 2009/08/27	QUALITY SYMBOLS ▽=0 ▽=0	GENERAL TOLERANCES (UNLESS SPECIFIED)		DIMENSION STYLE <b>MM ONLY</b>	SCALE <b>3:1</b>	DESIGN UNITS <b>METRIC</b>	THIRD ANGLE PROJECTION	
		4 PLACES ± --- ± ---	3 PLACES ± --- ± ---	2 PLACES ± 0.13 ± ---	1 PLACE ± 0.25 ± ---	DRAWN BY DROSCA	DATE 01-06-2005	TITLE <b>STACKED SFP 2X6 MEDIUM HEIGHT ASS'Y, PRESS-FIT FOUNDRY SALES DRAWING</b>
		ANGULAR ± 5 °		DRAFT WHERE APPLICABLE MUST REMAIN WITHIN DIMENSIONS		CHECKED BY JLONG	DATE 01-06-2005	<b>MOLEX INCORPORATED</b>
						APPROVED BY RNELSON	DATE 02-15-2005	
				MATERIAL NO. <b>754771001</b>	SHEET NO. <b>1 OF 4</b>			
THIS DRAWING CONTAINS INFORMATION THAT IS PROPRIETARY TO MOLEX INCORPORATED AND SHOULD NOT BE USED WITHOUT WRITTEN PERMISSION								



SEE SHEET 1 EC NO: UCP2010-0369 DRWINHSI BARRA 2009/07/09 CHKD: 2009/08/26 APPR: MILLER 2009/08/27	QUALITY SYMBOLS ▽=0 ▽=0	GENERAL TOLERANCES (UNLESS SPECIFIED) <table border="1"> <thead> <tr> <th></th> <th>mm</th> <th>INCH</th> </tr> </thead> <tbody> <tr> <td>4 PLACES</td> <td>± 0.25</td> <td>± 0.010</td> </tr> <tr> <td>3 PLACES</td> <td>± 0.20</td> <td>± 0.008</td> </tr> <tr> <td>2 PLACES</td> <td>± 0.13</td> <td>± 0.005</td> </tr> <tr> <td>1 PLACE</td> <td>± 0.25</td> <td>± 0.010</td> </tr> </tbody> </table>		mm	INCH	4 PLACES	± 0.25	± 0.010	3 PLACES	± 0.20	± 0.008	2 PLACES	± 0.13	± 0.005	1 PLACE	± 0.25	± 0.010	DIMENSION STYLE <b>MM ONLY</b>	SCALE <b>3:1</b>	DESIGN UNITS <b>METRIC</b>	THIRD ANGLE PROJECTION
		mm	INCH																		
	4 PLACES	± 0.25	± 0.010																		
	3 PLACES	± 0.20	± 0.008																		
2 PLACES	± 0.13	± 0.005																			
1 PLACE	± 0.25	± 0.010																			
		DRAWN BY DROSCA	DATE 01-06-2005	TITLE <b>STACKED SFP 2X6 MEDIUM HEIGHT ASS'Y, PRESS-FIT FOUNDRY SALES DRAWING</b>																	
		CHECKED BY JLONG	DATE 01-06-2005	APPROVED BY RNELSON																	
				DATE 02-15-2005	MOLEX INCORPORATED																
		MATERIAL NO. <b>754771001</b>		DOCUMENT NO. <b>SD-75477-101</b>		SHEET NO. 2 OF 4															
		DRAFT WHERE APPLICABLE MUST REMAIN WITHIN DIMENSIONS					THIS DRAWING CONTAINS INFORMATION THAT IS PROPRIETARY TO MOLEX INCORPORATED AND SHOULD NOT BE USED WITHOUT WRITTEN PERMISSION														

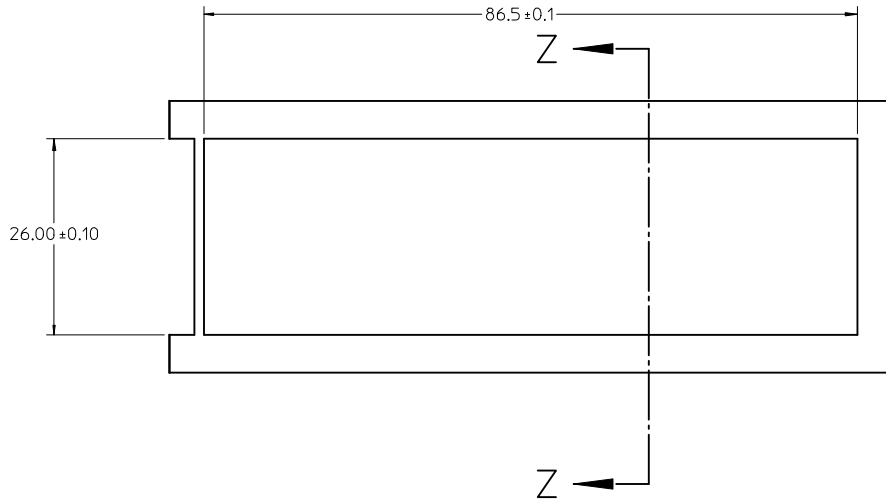


ADD KEEP OUT ZONES	QUALITY SYMBOLS
EC NO: UCP2010-0369	▽=0
DRWN:MSIBARRA 2009/07/09	▽=0
CHKD: 2009/08/26	
APPR:SMILLER 2009/08/27	
REV	DESCRIPTION

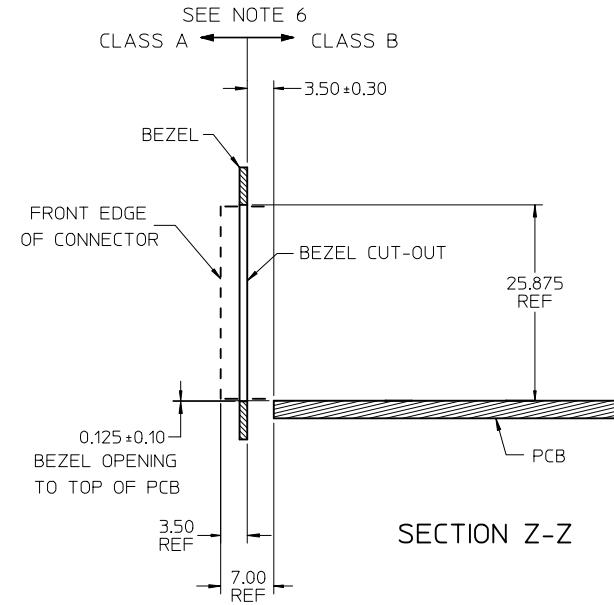
GENERAL TOLERANCES (UNLESS SPECIFIED)	
mm	INCH
4 PLACES ± .005	± .005
3 PLACES ± .005	± .005
2 PLACES ± .013	± .005
1 PLACE ± 0.25	± .005
ANGULAR ± 5°	
DRAFT WHERE APPLICABLE MUST REMAIN WITHIN DIMENSIONS	

DIMENSION STYLE MM ONLY	
DRAWN BY	DATE
DROSCA	01-06-2005
CHECKED BY	DATE
JLONG	01-06-2005
APPROVED BY	DATE
RNELSON	02-15-2005
MATERIAL NO.	
754771001	
SIZE	
C	

SCALE 3:1	DESIGN UNITS METRIC	THIRD ANGLE PROJECTION
TITLE STACKED SFP 2X6 MEDIUM HEIGHT ASS'Y, PRESS-FIT FOUNDRY SALES DRAWING		
MOLEX INCORPORATED		SHEET NO. 3 OF 4
DOCUMENT NO. SD-75477-101		
THIS DRAWING CONTAINS INFORMATION THAT IS PROPRIETARY TO MOLEX INCORPORATED AND SHOULD NOT BE USED WITHOUT WRITTEN PERMISSION		



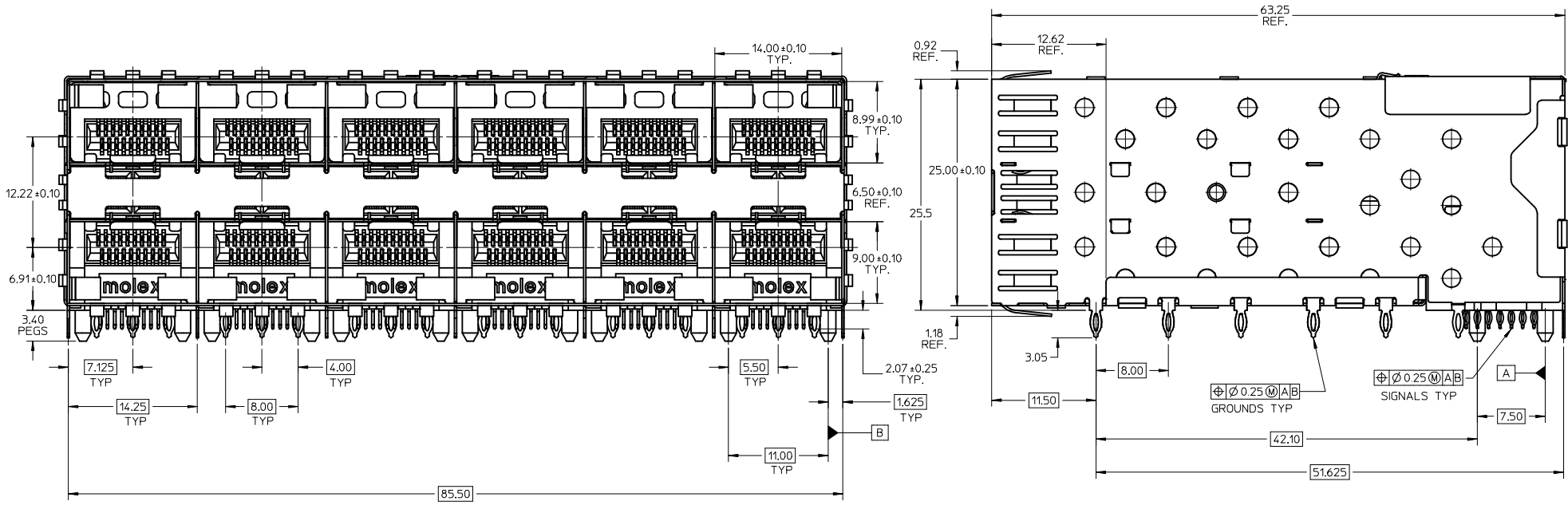
BEZEL CUT-OUT CENTER DETAIL  
BEZEL THICKNESS 0.8 - 2.6



SECTION Z-Z

SEE SHEET 1 EC NO: UCP2010-0369 DRAWN BY: IBARRA 2009/07/09 CHKD: 2009/08/26 APPR: MILLER 2009/08/27	QUALITY SYMBOLS	GENERAL TOLERANCES (UNLESS SPECIFIED)		DIMENSION STYLE	SCALE	DESIGN UNITS	THIRD ANGLE PROJECTION
	▽=0	mm	INCH	MM ONLY	2:1	METRIC	
	▽=0	4 PLACES ± ---	± ---	DRAWN BY DATE	TITLE		
		3 PLACES ± ---	± ---	CHECKED BY DATE	STACKED SFP 2X6 MEDIUM HEIGHT ASS'Y, PRESS-FIT FOUNDRY SALES DRAWING		
	2 PLACES ± 0.13	± ---	1 PLACE ± 0.25	APPROVED BY DATE	MOLEX INCORPORATED		
	ANGULAR ± 5 °	DRAFT WHERE APPLICABLE MUST REMAIN WITHIN DIMENSIONS		MATERIAL NO.	DOCUMENT NO.	SHEET NO.	
				754771001	SD-75477-101	4 OF 4	
				THIS DRAWING CONTAINS INFORMATION THAT IS PROPRIETARY TO MOLEX INCORPORATED AND SHOULD NOT BE USED WITHOUT WRITTEN PERMISSION			





NOTES:

1. MATERIAL:

CAGE: NICKEL SILVER, THICKNESS: 0.25mm  
 CONNECTOR HOUSING: GLASS FILLED THERMOPLASTIC, UL: 94 V-0,  
 COLOR: BLACK  
 OVERMOLD TERMINAL HOUSING: GLASS FILLED THERMOPLASTIC,  
 UL: 94 V-0, COLOR: BLACK  
 TERMINALS: BRASS

2. FINISH

CAGE ASSY: POST-PLATED - NICKEL (MATTE) 2 MICROMETERS COPPER BASE,  
 2 - 5 MICROMETERS NICKEL OVERPLATE.  
 TERMINALS: CONTACT AREA: 0.76 MICROMETERS MINIMUM HARD GOLD  
 OVER 1.27 MICROMETERS MINIMUM NICKEL.  
 COMPLIANT TAIL - TIN/LEAD OPTION: 0.76 - 1.52 MICROMETERS 90/10 TIN/LEAD  
 OVER 0.76 - 1.52 MICROMETERS NICKEL  
 COMPLIANT TAIL - TIN OPTION: 0.76 - 1.52 MICROMETERS TIN  
 OVER 0.76 - 1.52 MICROMETERS NICKEL

3. REFER TO PS-75310-001 PRODUCT SPEC FOR ALL ELECTRICAL, MECHANICAL  
 AND ENVIROMENTAL SPECIFICATIONS.

4. REFER TO PK-75451-001 FOR ALL PACKAGING SPECIFICATIONS.

5. THE CURVED TAILS THAT GO INTO THE HOLES LOCATED BY THESE DIMENSIONS  
 ARE BEING ELIMINATED. TO ACCOMMODATE THIS CONVERSION, IT IS RECOMMENDED  
 THAT BOARDS DESIGNED TO THIS PRINT REVISION INCLUDE THESE HOLES.

6. PART COMPLIES WITH COSMETIC SPECIFICATION PS-45499-002.  
 SEE SHEET 4 SECTION Z-Z FOR SURFACE CLASSIFICATIONS.  
 UNDERSIDE OF CAGE COMPLIES WITH CLASS "C".

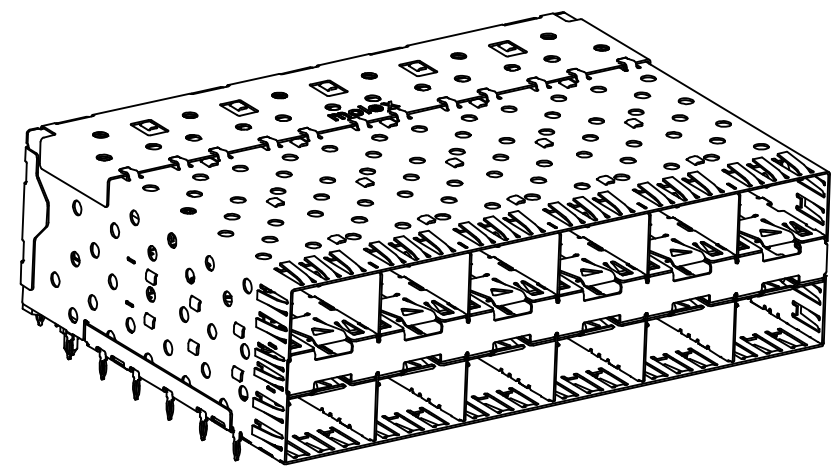
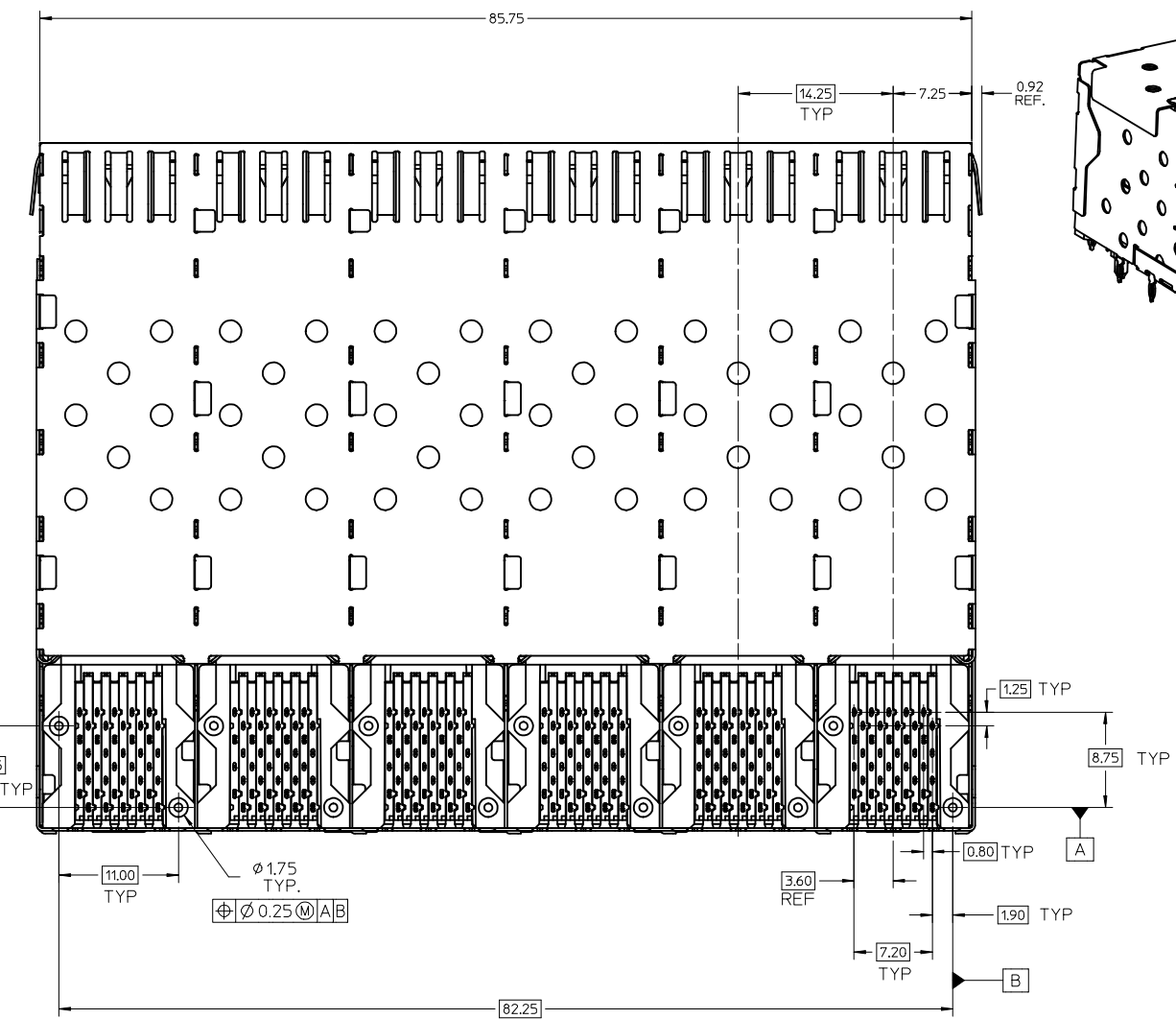
75477-5101	TIN
75477-2001	TIN / LEAD
MATERIAL NO.	TERMINAL TAIL PLATING

ADD KEEP OUT ZONES EC NO: UCP2010-0369 DR: WMSI BARRA 2009/07/10 CHKD: 2009/08/26 APPR: SMILLER 2009/08/27	QUALITY SYMBOLS ▽=0 ▽=0	GENERAL TOLERANCES (UNLESS SPECIFIED)		DIMENSION STYLE MM ONLY		SCALE 3:1	DESIGN UNITS METRIC	THIRD ANGLE PROJECTION		
						DRAWN BY DATE JLONG 05-31-2005		STACKED SFP 2X6 MEDIUM HEIGHT ASS'Y, PRESS-FIT TAIL WITHOUT LIGHT PIPES		
						CHECKED BY DATE RNELSON 05-31-2005				
						APPROVED BY DATE RNELSON 05-31-2004		MOLEX INCORPORATED DOCUMENT NO. SD-75477-201 SHEET NO. 1 OF 4		

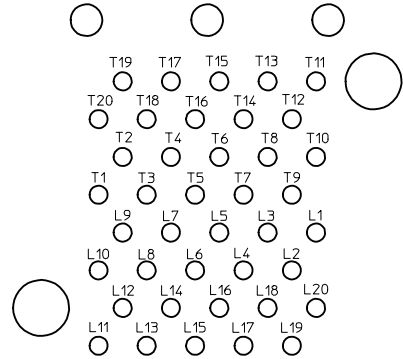
DRAFT WHERE APPLICABLE MUST REMAIN WITHIN DIMENSIONS

SEE TABLE

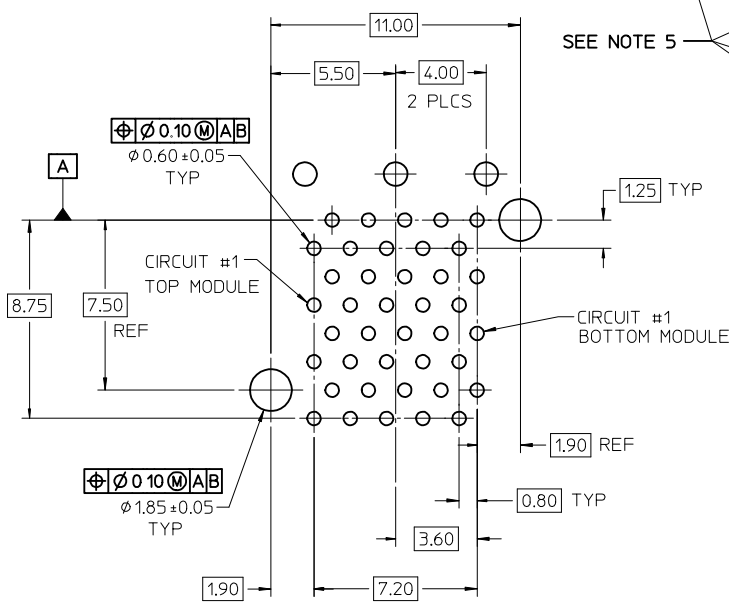
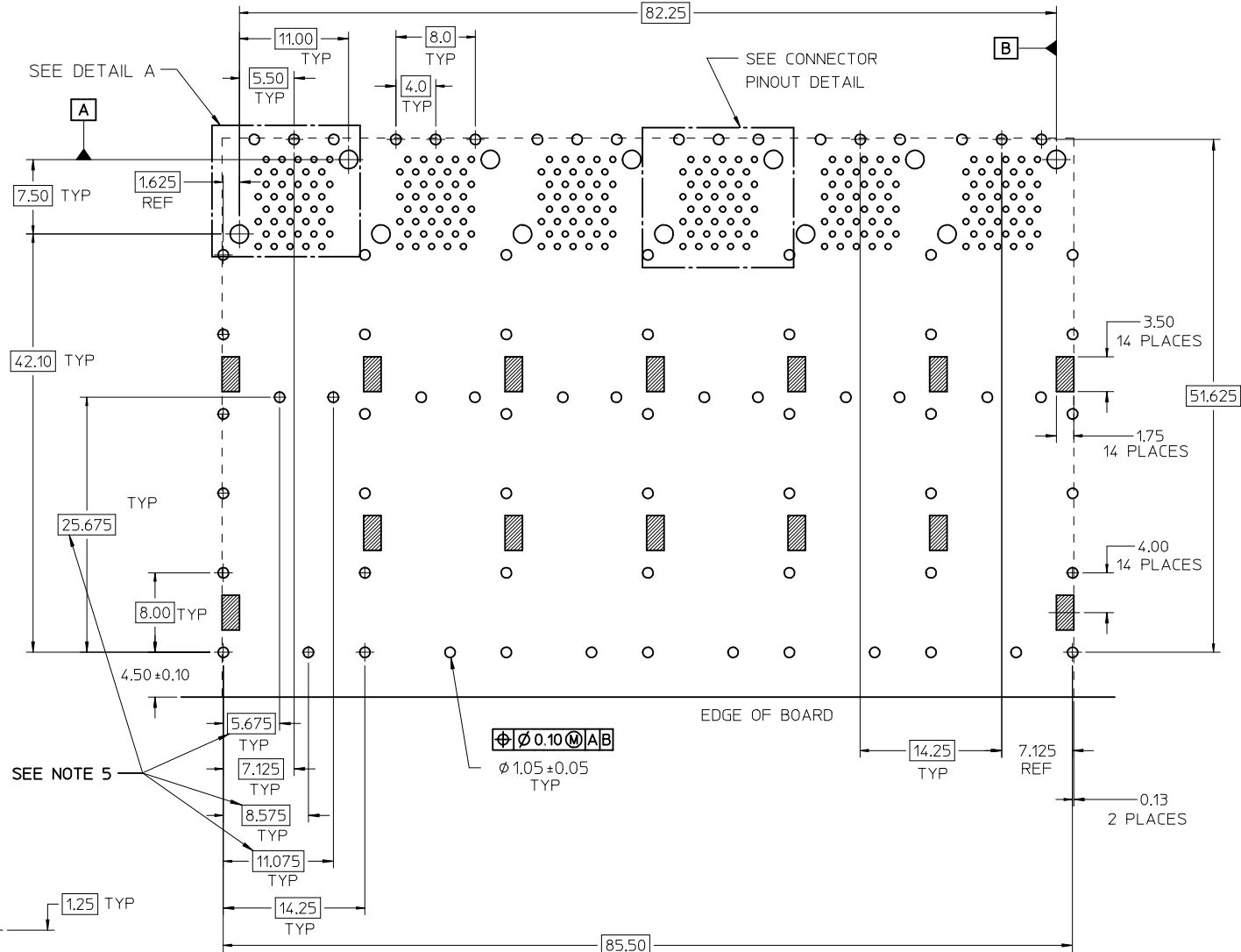
THIS DRAWING CONTAINS INFORMATION THAT IS PROPRIETARY TO MOLEX INCORPORATED AND SHOULD NOT BE USED WITHOUT WRITTEN PERMISSION



<b>SEE SHEET 1</b> EC NO: UCP2010-0369 DRWN:MSI BARRA 2009/07/10 CHKD: 2009/08/26 APPR:SMILLER 2009/08/27	QUALITY SYMBOLS ▽=0 ▽=0	GENERAL TOLERANCES (UNLESS SPECIFIED)		DIMENSION STYLE <b>MM ONLY</b>	SCALE <b>3:1</b>	DESIGN UNITS <b>METRIC</b>	THIRD ANGLE PROJECTION	
		4 PLACES ± --- ± ---	3 PLACES ± --- ± ---	DRAWN BY JLONG	DATE 05-31-2005	TITLE <b>STACKED SFP 2X6 MEDIUM HEIGHT ASS'Y, PRESS-FIT TAIL WITHOUT LIGHT PIPES</b>		
		2 PLACES ± 0.13 ± ---	1 PLACE ± 0.25 ± ---	CHECKED BY RNELSON	DATE 05-31-2005	MOLEX INCORPORATED		
		ANGULAR ± 5 °		APPROVED BY RNELSON	DATE 05-31-2004	MATERIAL NO. <b>SEE TABLE</b>	DOCUMENT NO. <b>SD-75477-201</b>	SHEET NO. <b>2 OF 4</b>
DRAFT WHERE APPLICABLE MUST REMAIN WITHIN DIMENSIONS		SIZE <b>C</b>		THIS DRAWING CONTAINS INFORMATION THAT IS PROPRIETARY TO MOLEX INCORPORATED AND SHOULD NOT BE USED WITHOUT WRITTEN PERMISSION				



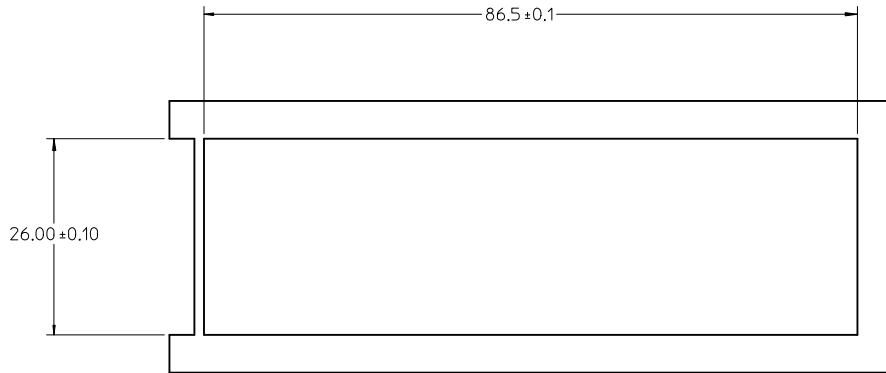
CONNECTOR PINOUT DETAIL  
COMPONENT SIDE OF BOARD



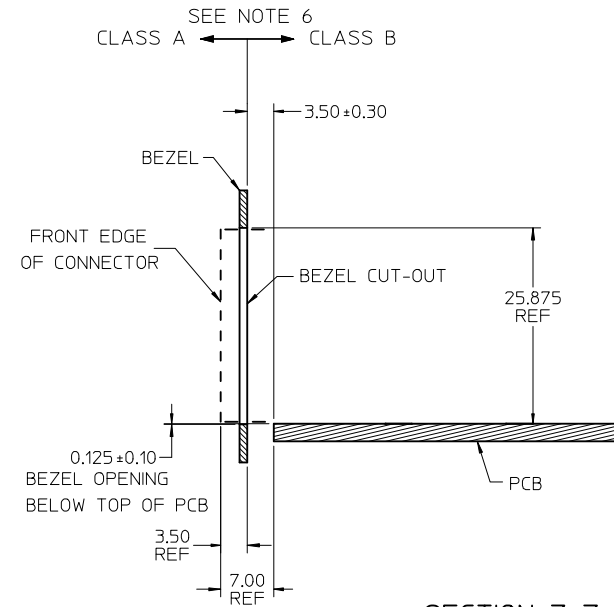
DETAIL A  
SCALE 6:1

RECOMMENDED PCB LAYOUT - COMPONENT SIDE  
RECOMMENDED PCB THICKNESS - 2.36 MM (.093 INCH)  
THE ENTIRE AREA OF THE CONNECTOR FOOTPRINT  
TO BE CONSIDERED THE KEEP OUT AREA FOR COMPONENTS  
THIS AREA IS INDICATED BY THE DASHED LINE

<b>SEE SHEET 1</b> EC NO: UCP2010-0369 DRWN:MSIBARRA 2009/07/10 CHKD: 2009/08/26 APPR:SMILLER 2009/08/27	QUALITY SYMBOLS ▽=0 ▽=0	GENERAL TOLERANCES (UNLESS SPECIFIED)		DIMENSION STYLE <b>MM ONLY</b>		SCALE 3:1	DESIGN UNITS METRIC	THIRD ANGLE PROJECTION	
		mm	INCH	DRAWN BY JLONG	DATE 05-31-2005	TITILE <b>STACKED SFP 2X6 MEDIUM HEIGHT ASS'Y, PRESS-FIT TAIL WITHOUT LIGHT PIPES</b>			
		4 PLACES ± ---	± ---	CHECKED BY RNELSON	DATE 05-31-2005				
		3 PLACES ± ---	± ---	APPROVED BY RNELSON	DATE 05-31-2004	MOLEX INCORPORATED DOCUMENT NO. SD-75477-201			
2 PLACES ± 0.13	± ---	DRAFT WHERE APPLICABLE MUST REMAIN WITHIN DIMENSIONS		SEE TABLE		SHEET NO. 3 OF 4		THIS DRAWING CONTAINS INFORMATION THAT IS PROPRIETARY TO MOLEX INCORPORATED AND SHOULD NOT BE USED WITHOUT WRITTEN PERMISSION	
1 PLACE ± 0.25	± ---	ANGULAR ± 5 °		SIZE C					



BEZEL CUT-OUT OPENING DETAIL  
BEZEL THICKNESS 0.8 - 2.6



SECTION Z-Z

<b>SEE SHEET 1</b> EC NO: UCP2010-0369 DRWN:MS IBARRA 2009/07/10 CHKD: 2009/08/26 APPR:SMILLER 2009/08/27	QUALITY SYMBOLS ▽=0 ▽=0	GENERAL TOLERANCES (UNLESS SPECIFIED) <table border="1"> <thead> <tr> <th></th> <th>mm</th> <th>INCH</th> </tr> </thead> <tbody> <tr> <td>4 PLACES</td> <td>± .00</td> <td>± .00</td> </tr> <tr> <td>3 PLACES</td> <td>± .01</td> <td>± .00</td> </tr> <tr> <td>2 PLACES</td> <td>± 0.13</td> <td>± .00</td> </tr> <tr> <td>1 PLACE</td> <td>± 0.25</td> <td>± .00</td> </tr> </tbody> </table>		mm	INCH	4 PLACES	± .00	± .00	3 PLACES	± .01	± .00	2 PLACES	± 0.13	± .00	1 PLACE	± 0.25	± .00	DIMENSION STYLE <b>MM ONLY</b>	SCALE <b>2:1</b>	DESIGN UNITS <b>METRIC</b>	THIRD ANGLE PROJECTION
		mm	INCH																		
	4 PLACES	± .00	± .00																		
	3 PLACES	± .01	± .00																		
2 PLACES	± 0.13	± .00																			
1 PLACE	± 0.25	± .00																			
DRAFT WHERE APPLICABLE MUST REMAIN WITHIN DIMENSIONS	MATERIAL NO. <b>SEE TABLE</b>	DRAWN BY JLONG	DATE 05-31-2005	TITLE <b>STACKED SFP 2X6 MEDIUM HEIGHT ASS'Y, PRESS-FIT TAIL WITHOUT LIGHT PIPES</b>																	
	ANGULAR ± 5 °	CHECKED BY RNELSON	DATE 05-31-2005	MOLEX INCORPORATED																	
		APPROVED BY RNELSON	DATE 05-31-2004	DOCUMENT NO. <b>SD-75477-201</b>	SHEET NO. <b>4 OF 4</b>																