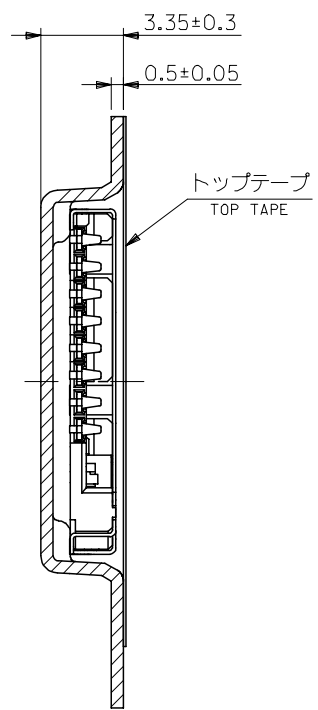
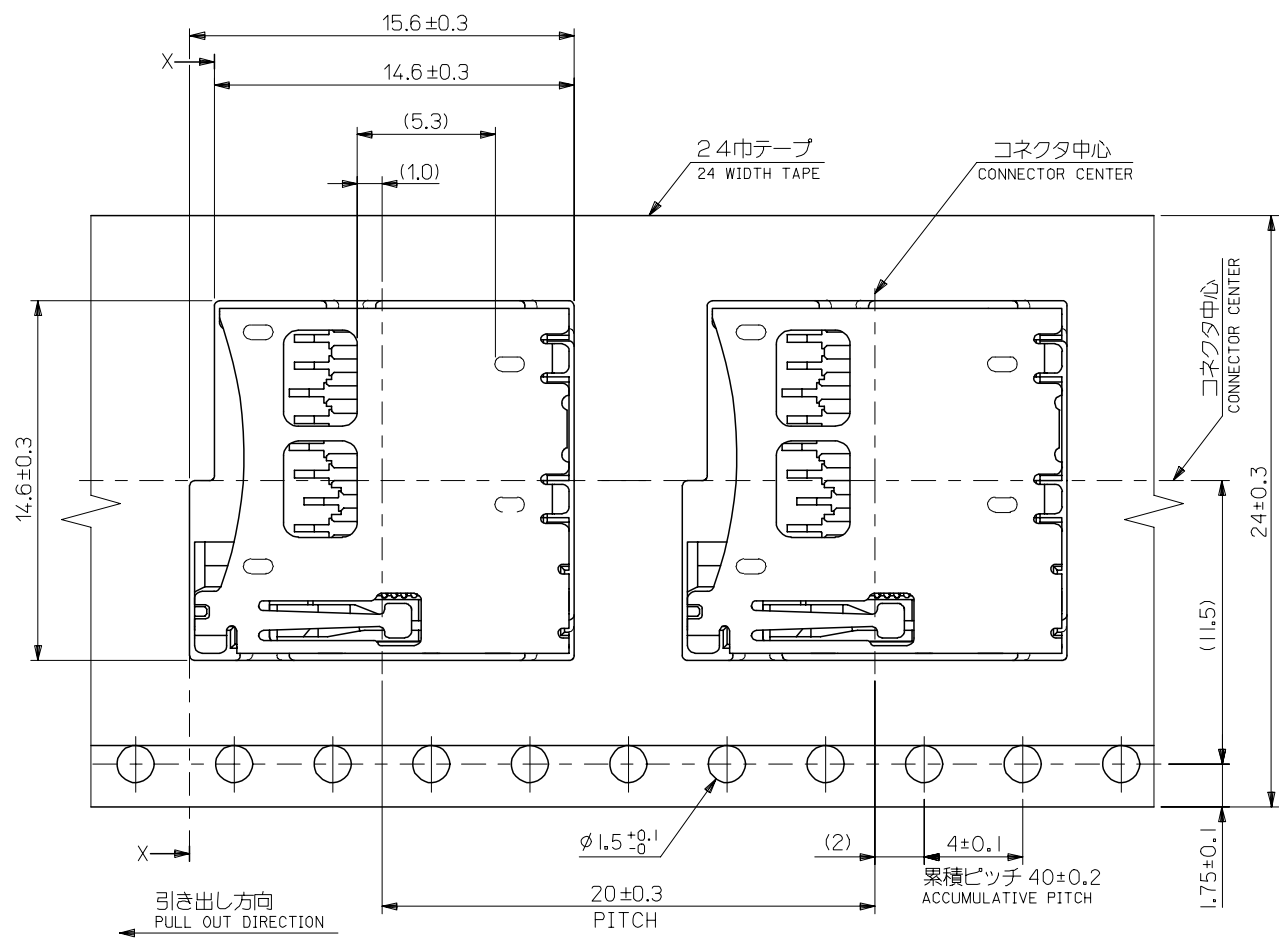


10 9 8 7 6 5 4 3 2 1

F  
E  
D  
C  
B  
A



SECTION X-X



F  
E  
D  
C  
B  
A

REVISED EC NO: J2005-3083 DRAWN: AOYAGI 2005/04/13 CHKD: TANAKA 2005/04/14 APPR: NUKITA 2005/04/22	GENERAL TOLERANCES (UNLESS SPECIFIED)		DIMENSION STYLE MM ONLY		SCALE ---	DESIGN UNITS METRIC	THIRD ANGLE PROJECTION		
	10 UNDER	±0.2	DRAWN BY S. MARUYA		DATE 2004/06/30		TITLE TFR CARD CONN. EMBOSSED TAPE PACKAGE		
	10 OVER 30 UNDER	±0.25	CHECKED BY M. SASAO		DATE 2004/06/30		MOLEX INCORPORATED		
	30 OVER	±0.3	APPROVED BY M. SASAO		DATE 2004/06/30		MATERIAL NO. 500873-0801		
ANGULAR ±3 °		DRAFT WHERE APPLICABLE MUST REMAIN WITHIN DIMENSIONS		DOCUMENT NO. SD-500873-002		SHEET NO. 2 OF 2		THIS DRAWING CONTAINS INFORMATION THAT IS PROPRIETARY TO MOLEX INCORPORATED AND SHOULD NOT BE USED WITHOUT WRITTEN PERMISSION	

9 8 7 6 5 4 3 2 1 EN-02JA(021)