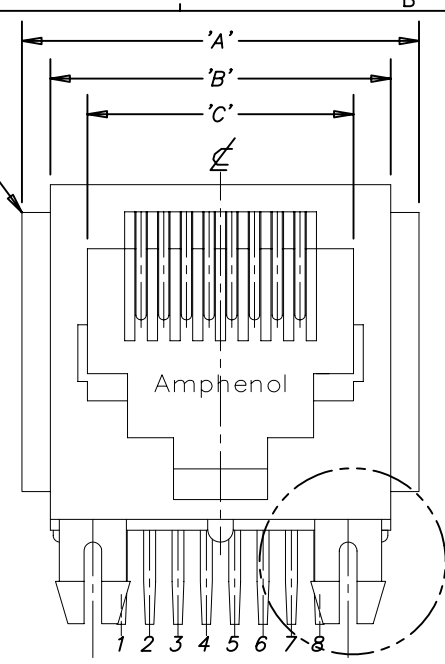


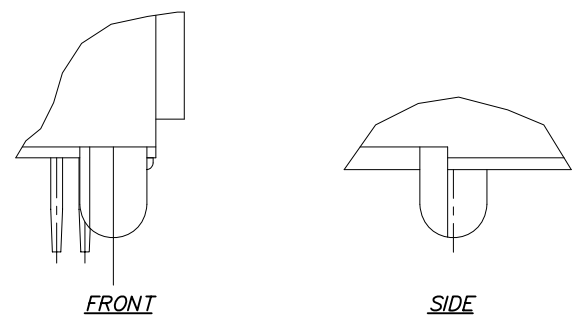
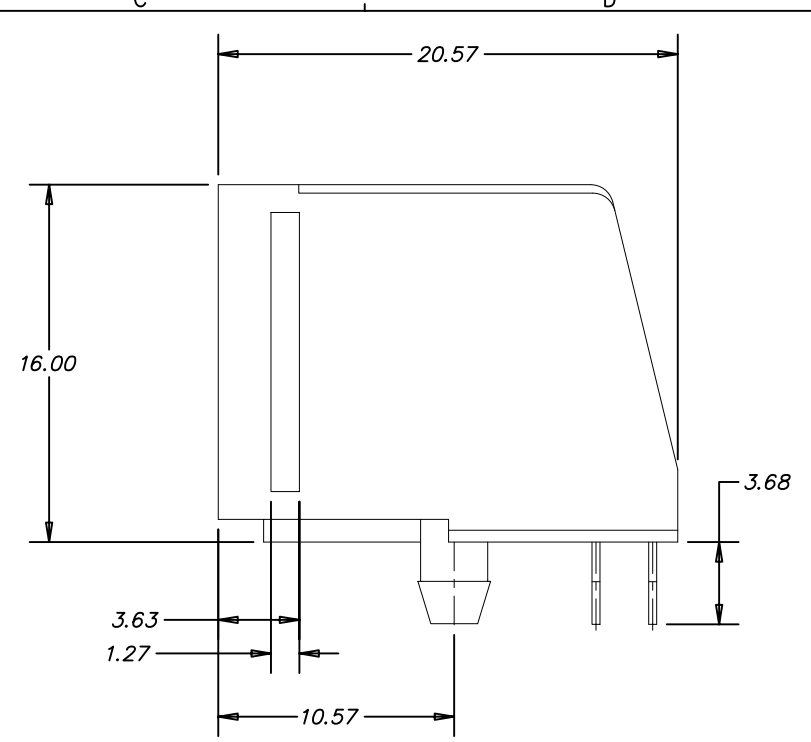
REVISIONS				
SYM	ZONE	ECN, ERN NO.	DATE	APPRD.
A		PROPOSAL	JUL14/06	L.CHAN



SHARP FOR 6 & 8 POS'N. RADIUS FOR 4 POS'N.



SEE DETAIL 'B' FOR 4 POS'N BOARDLOCK



DETAIL 'B'  
4 POS'N CONNECTOR BOARDLOCK

**MATERIAL:**

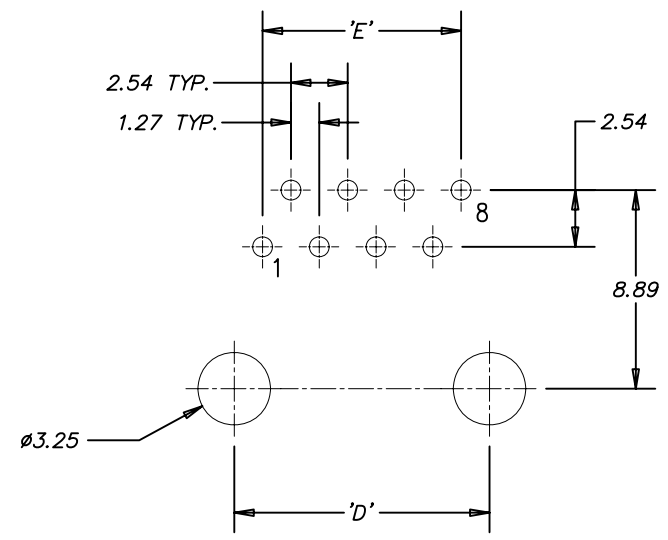
HOUSING: ENGINEER THERMOPLASTIC  
FLAMMABILITY RATING UL94V-0  
COLOUR: BLACK

CONTACTS: PHOSPHOR BRONZE

PLATING: MATING AREA: SELECTIVELY PLATED GOLD-PER PART NUMBER OPTIONS  
50 MICROINCH [1.27 MICRONS] MIN. NICKEL OVERALL  
100 MICROINCH [2.54 MICRONS] MIN. MATTE-TIN OR GOLD FLASH OVER TAIL.

RECOMMENDED SOLDERING TEMPERATURE:  
WAVE SOLDERING AT 220°C MAXIMUM FOR 5 SEC MAXIMUM.

PART NUMBER	NO. OF POSITIONS	NO. OF CONTACTS	DIMENSIONS					QUANTITY PER TRAY	QUANTITY PER CARTON
			'A'	'B'	'C'	'D'	'E'		
RJE02-142-0X20	4	2	13.72	11.18	7.85	7.62	1.27	120	2160
RJE02-144-0X20	4	4	13.72	11.18	7.85	7.62	3.81	120	2160
RJE02-162-0X20	6	2	15.75	13.21	9.88	10.16	1.27	120	2160
RJE02-164-0X20	6	4	15.75	13.21	9.88	10.16	3.81	120	2160
RJE02-166-0X20	6	6	15.75	13.21	9.88	10.16	6.35	120	2160
RJE02-188-0X20	8	8	17.78	15.24	11.91	11.43	8.89	100	1800



RECOMMENDED P.C.B. LAYOUT  
(COMPONENT SIDE OF BOARD)

LOCATE HOLES  
⊕ ⌀.005[0.13]  
POSITION DIMENSIONS ARE BASIC

AMPHENOL PART NUMBER: R J E 0 2 - 1 X X - 0 X 2 0

- SERIES: 1 PORT
- NO. OF POSITIONS: 4 = 4 POSITIONS, 6 = 6 POSITIONS, 8 = 8 POSITIONS
- NO. OF CONTACTS: 2 = 2 CONTACTS (POSITION 4 & 5), 4 = 4 CONTACTS (POSITION 3,4,5,6), 6 = 6 CONTACTS (POSITION 2,3,4,5,6,7), 8 = 8 CONTACTS (POSITION 1~8)
- FLANGES: STANDARD COLOUR: BLACK
- GOLD PLATING: 1 = 6 μINCH, 2 = 15 μINCH, 3 = 30 μINCH, 4 = 50 μINCH
- NO SHIELD

DRAWN PAULW	DATE JUL14/06	Amphenol Canada Corp.		
DESIGNED				
CHECKED CHIGOW	DATE JUL14/06	TITLE RJE02 SERIES ASSEMBLY, SIDE ENTRY, WITHOUT SHIELD (WITH FLANGE, WITHOUT KEY) - RoHS COMPLIANT		
I. E. APPRD.		DWG C	DRAWING NO. P-RJE02-1XX-0X20	REV. A
Q. A. APPRD.				
DWG. APPRD.		SCALE 4/1 WT. ----- SURF. ----- SHEET 1 OF 1		
ENG. REL. NO.				
REF.				
DIMENSIONS ARE IN mm	CODE ID. NO. 03554			

THIS DOCUMENT CONTAINS PROPRIETARY INFORMATION AND SUCH INFORMATION MAY NOT BE DISCLOSED TO OTHERS FOR ANY PURPOSE OR USED FOR MANUFACTURING PURPOSES WITHOUT WRITTEN PERMISSION FROM AMPHENOL CANADA CORP.