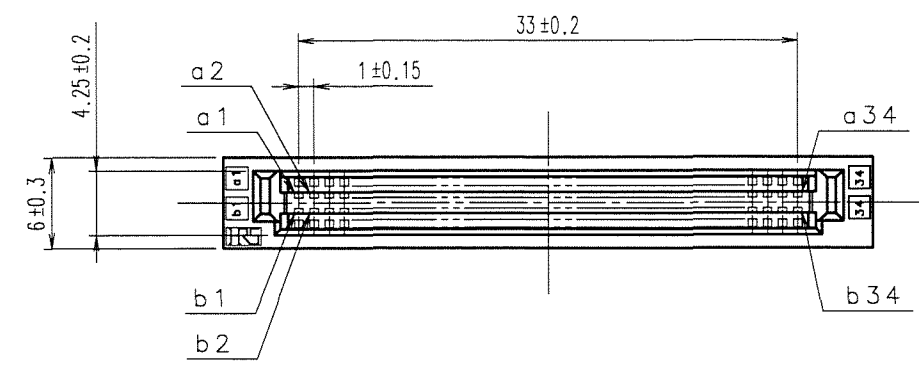
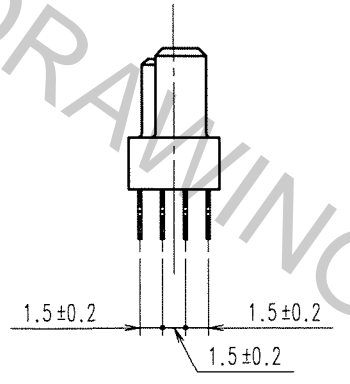
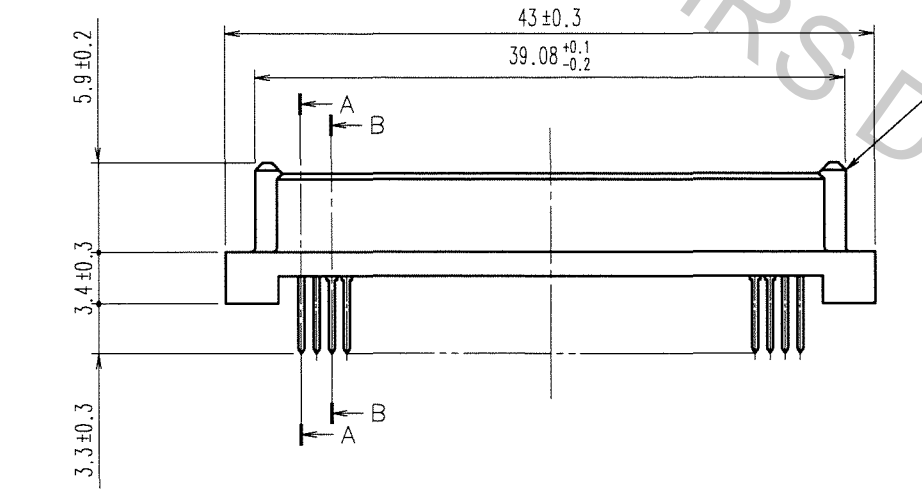
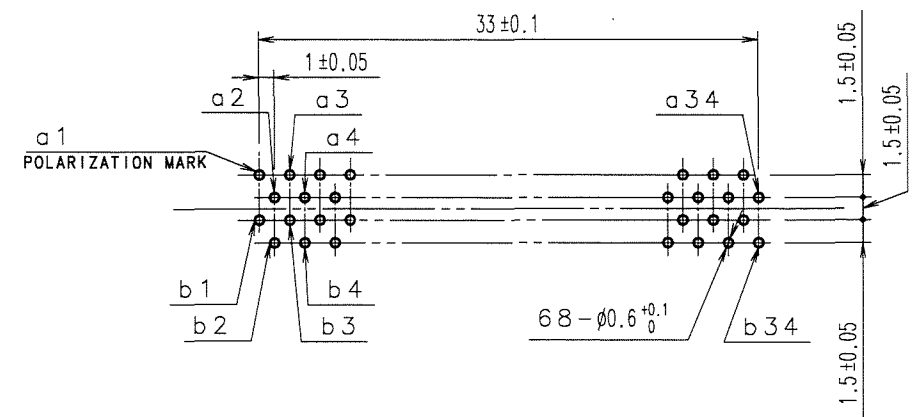


Apr.1.2017 Copyright 2017 HIROSE ELECTRIC CO., LTD. All Rights Reserved.

| COUNT | DESCRIPTION OF REVISIONS | BY | CHKD | DATE | COUNT | DESCRIPTION OF REVISIONS | BY | CHKD | DATE |
|-------|--------------------------|----|------|------|-------|--------------------------|----|------|------|
| △ | | | | | △ | | | | |
| △ | | | | | △ | | | | |
| △ | | | | | △ | | | | |



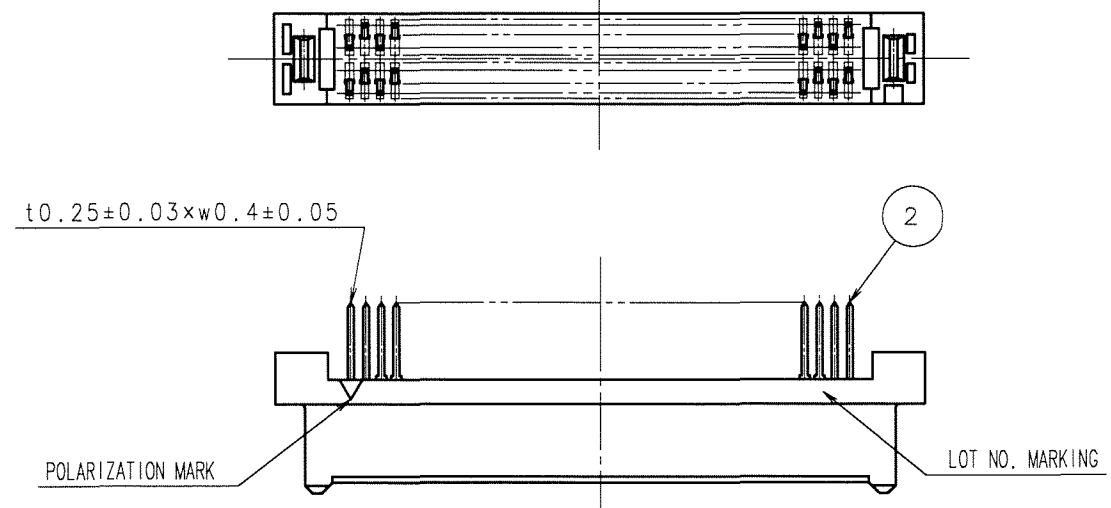
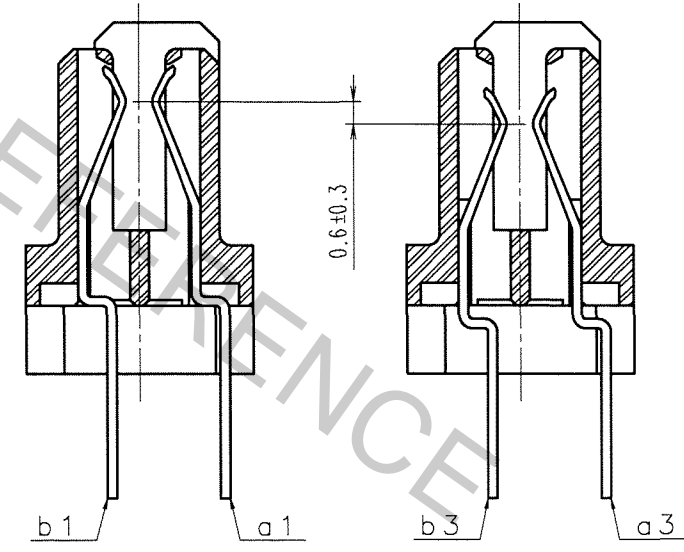
RECOMMENDED PC BOARD HOLE PATTERN(MOUNTING SIDE)
 APPLICABLE BOARD THICKNESS, 1.6



CONTACT SEQUENCE

| SEQUENCE | PIN No. |
|----------|--------------------------------------|
| 1 | a1, a2, a33, a34 b1, b2, b33, b34 |
| 2 | a3~a32, b3~b32 |

A-A (5:1) B-B (5:1)



| | | | | | |
|----------------------|-------------------------------|-----------------|---|---|--|
| 1 | POLYAMIDE | BEIGE UL94V-0 | 2 | PHOSPHOR BRONZE | CONTACT AREA : GOLD 0.1μ m min. LEAD AREA : TIN-PLATING 1.2μ m min. UNDER PLATING : NICKEL 1μ m min. |
| NO. | MATERIAL | FINISH, REMARKS | NO. | MATERIAL | FINISH, REMARKS |
| CODE NO. (OLD) CL | | | DRAWN A.SUZUKAWA 06.10.17 | DESIGNED <i>Makamura</i> 06.10.17 | CHECKED <i>K. Ogawa</i> 06.10.17 |
| | | | APPROVED <i>H. Okawa</i> 06.10.17 | RELEASED | |
| SCALE 2 : 1 | DRAWING NO. EDC3-151417-21 | | PART NO. FX5-68S2A-DSA(71) | | |
| UNITS mm | HRS HIROSE ELECTRIC CO., LTD. | | CODE NO. CL575-0108-0-71 | | 1/1 |

| |
|-----|
| TO |
| PCK |
| |
| |