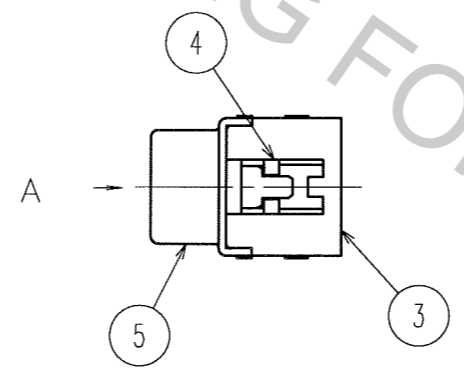
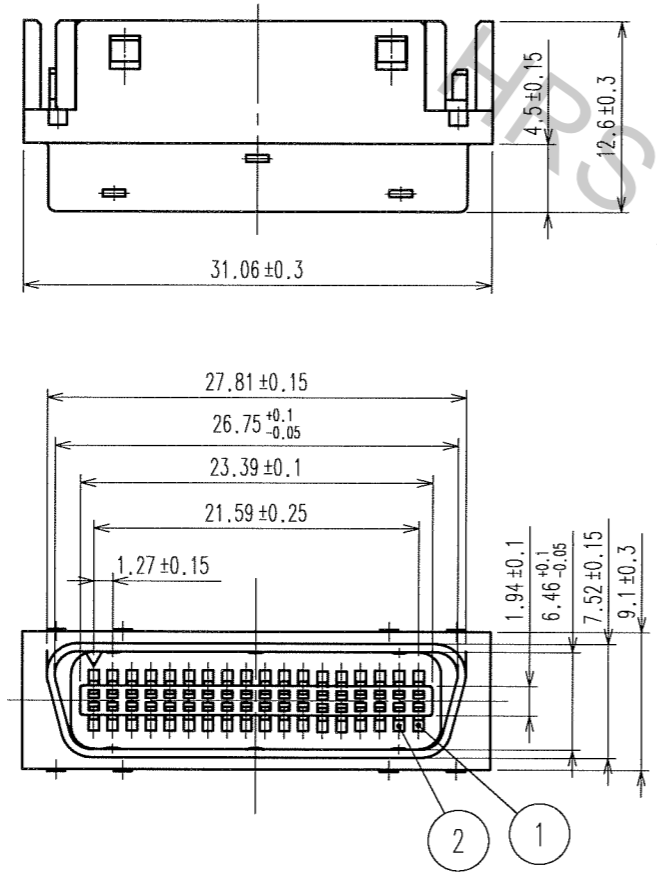
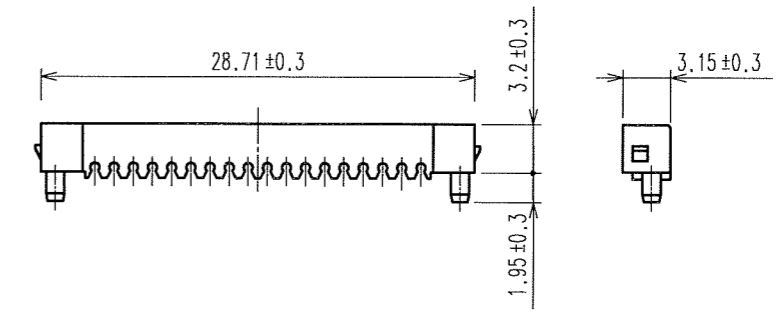


Apr.1.2017 Copyright 2017 HIROSE ELECTRIC CO., LTD. All Rights Reserved.

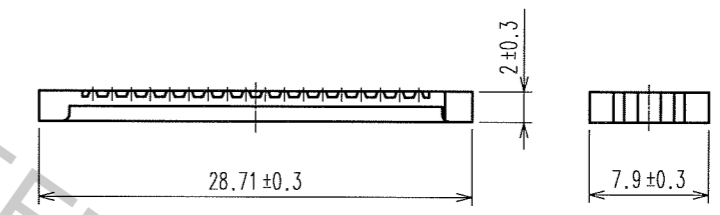
COUNT	DESCRIPTION OF REVISIONS	BY	CHKD	DATE	COUNT	DESCRIPTION OF REVISIONS	BY	CHKD	DATE
2	DIS-E-000197	Y.S	Y.E	05.08.29					



7 APPENDED PRODUCT



6 APPENDED PRODUCT



NOTE 1 FIXING FORCE OF REF. NO ☉ TO BE 100N MIN TO DIRECTION A.

4	PBT	(GLASS CONTAINED) UL94V-0			
3	PBT	(GLASS CONTAINED) UL94V-0	7	PBT	(GLASS CONTAINED) UL94V-0
2	BERYLLIUM COPPER ALLOY	CONTACT SECTION GOLD PLATED IDC SECTION GOLD FLASH PLATING	6	PBT	(GLASS CONTAINED) UL94V-0
1	BERYLLIUM COPPER ALLOY	CONTACT SECTION GOLD PLATED IDC SECTION GOLD FLASH PLATING	5	STEEL	NICKEL PLATED
NO.	MATERIAL	FINISH, REMARKS	NO.	MATERIAL	FINISH, REMARKS

CODE NO. (OLD)		DRAWN	DESIGNED	CHECKED	APPROVED	RELEASED
		Y.SATO	T.TANIGUCHI	H.MIWA	H.MIWA	
		04.12.10	04.12.10	04.12.10	04.12.10	

 SCALE 2 : 1 UNITS mm	DRAWING NO. EDC3-042474 HRS HIROSE ELECTRIC CO., LTD.	PART NO. DX30AM-36P CODE NO. CL230-5027-2	1/1
-----------------------------------	--	--	-----

TO
Q1

USA