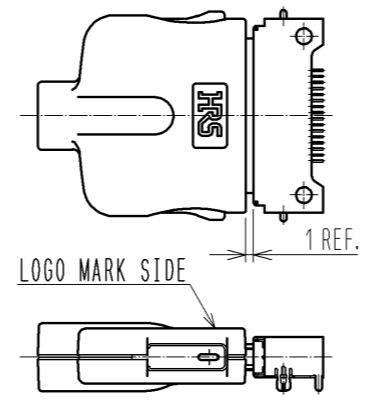
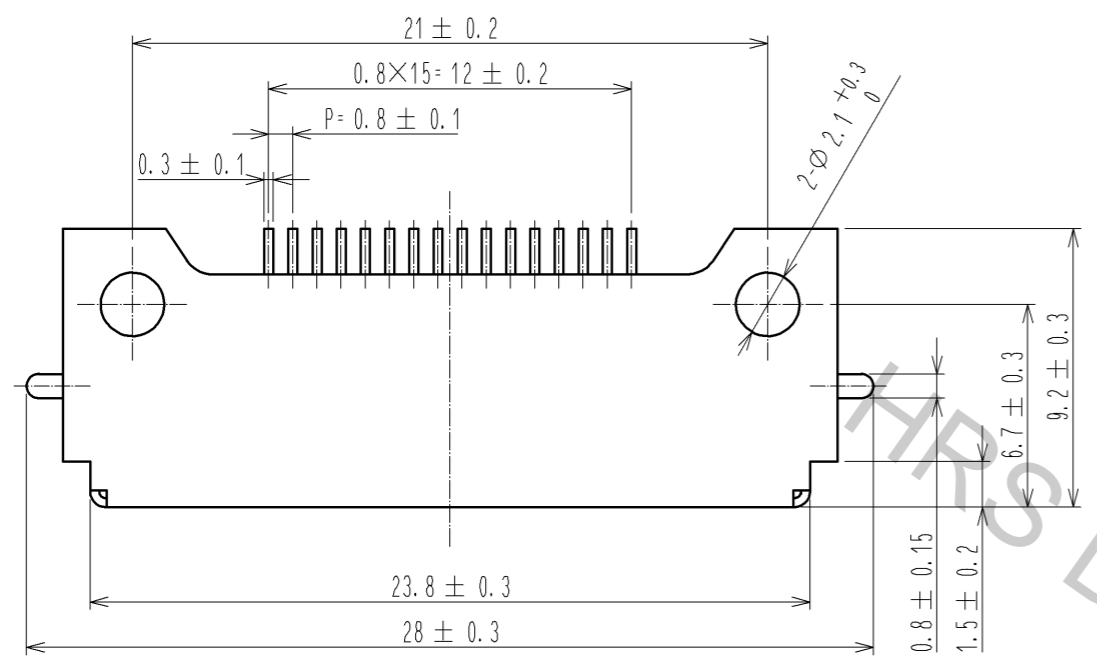
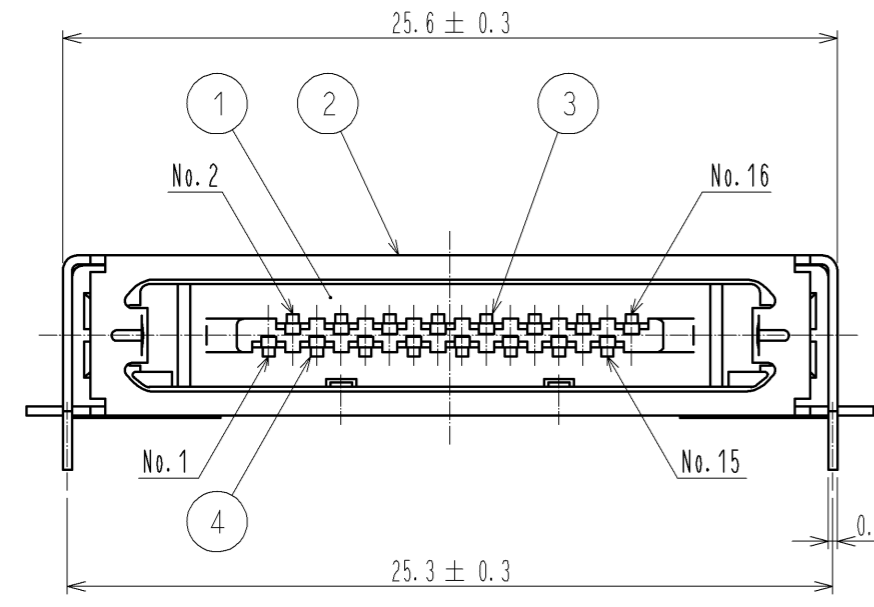
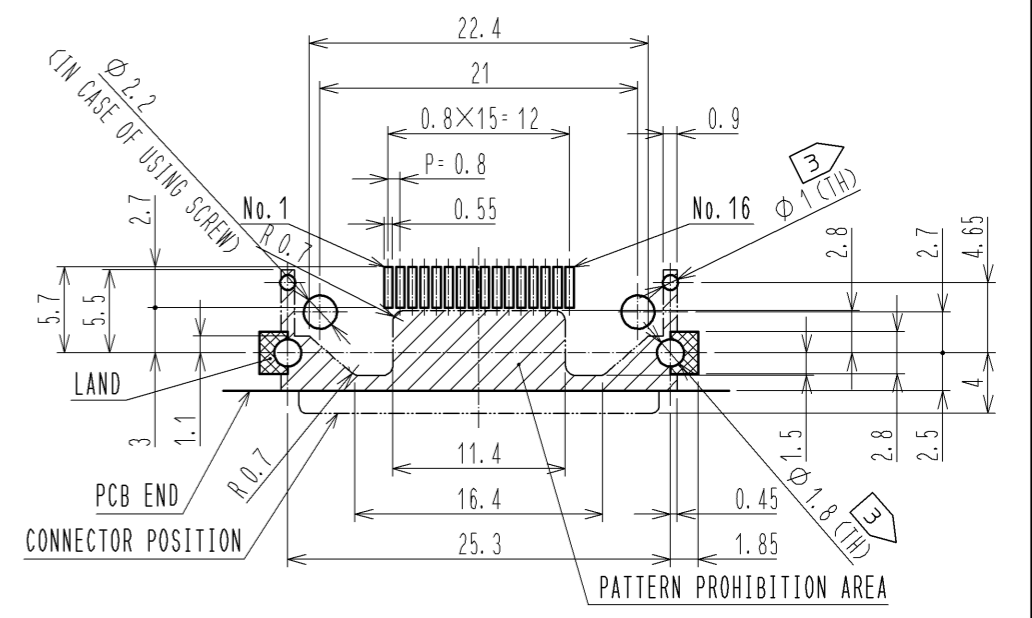
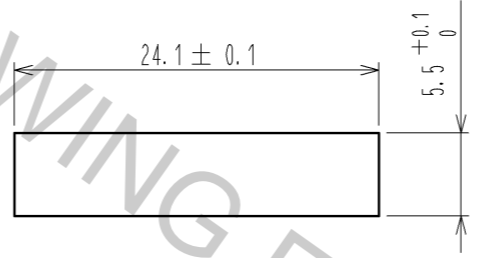


1 FIG-1 WITH MATED PLUG(1:1)

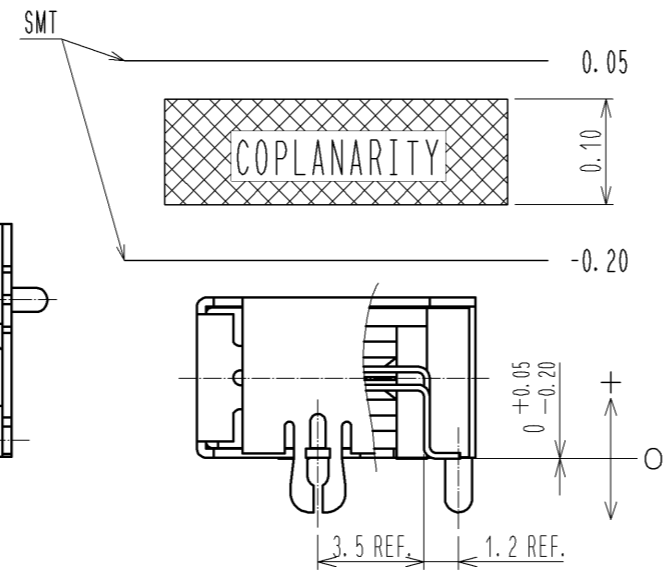
RECOMMENDED PC BOARD PATTERN
APPLICABLE PC BOARD t=0.8~1.6



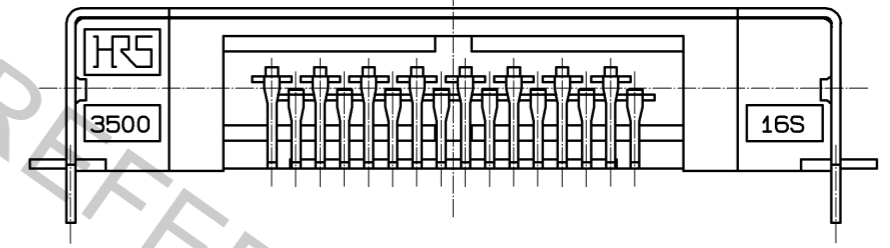
PANEL CUTOUT(2:1)
(PANEL THICKNESS t=1.5 mm MAX)



2 FIG-2 SMT & COPLANARITY LEAD DIMENSIONS



- NOTES
- 1 LOCK MARK ON PLUG IN MATED CONDISION IS AS SHOWN FIG-1.
 - 2 SMT LEAD DIMENSION FOR CONTACT (REF No. ③, ④) SHALL BE AS SHOWN IN THE FIG-2
 - 3 IN CASE OF VACUMMOUNTING, ∅1.8 SHALL BE ∅2 MIN. ∅1 SHALL BE ∅1.2 MIN.



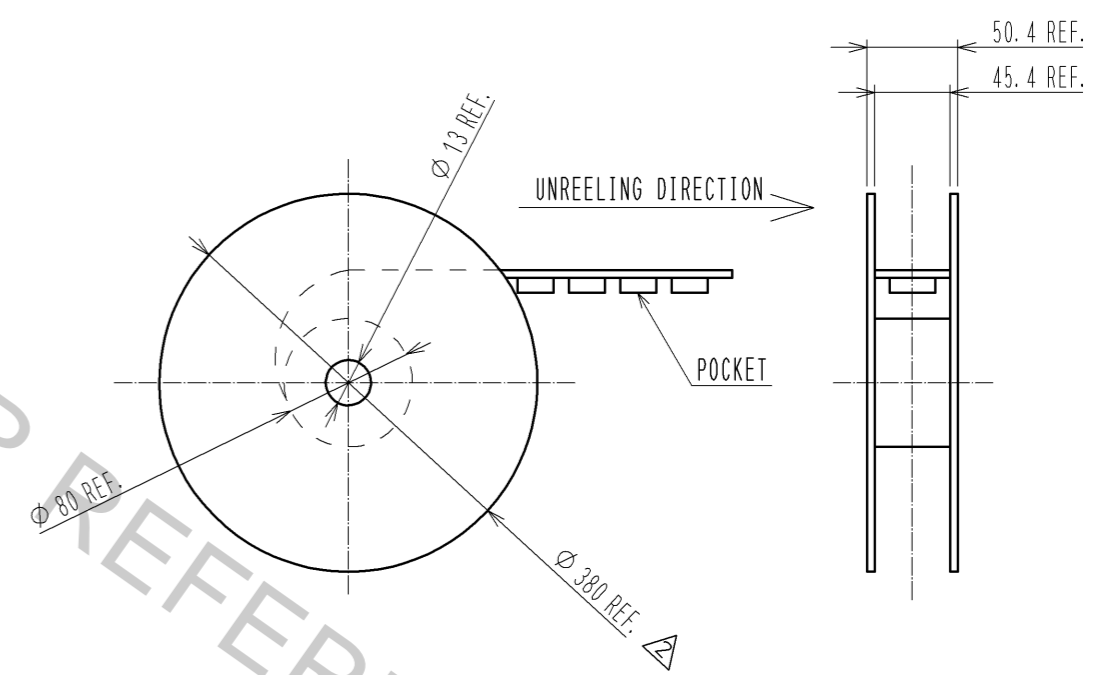
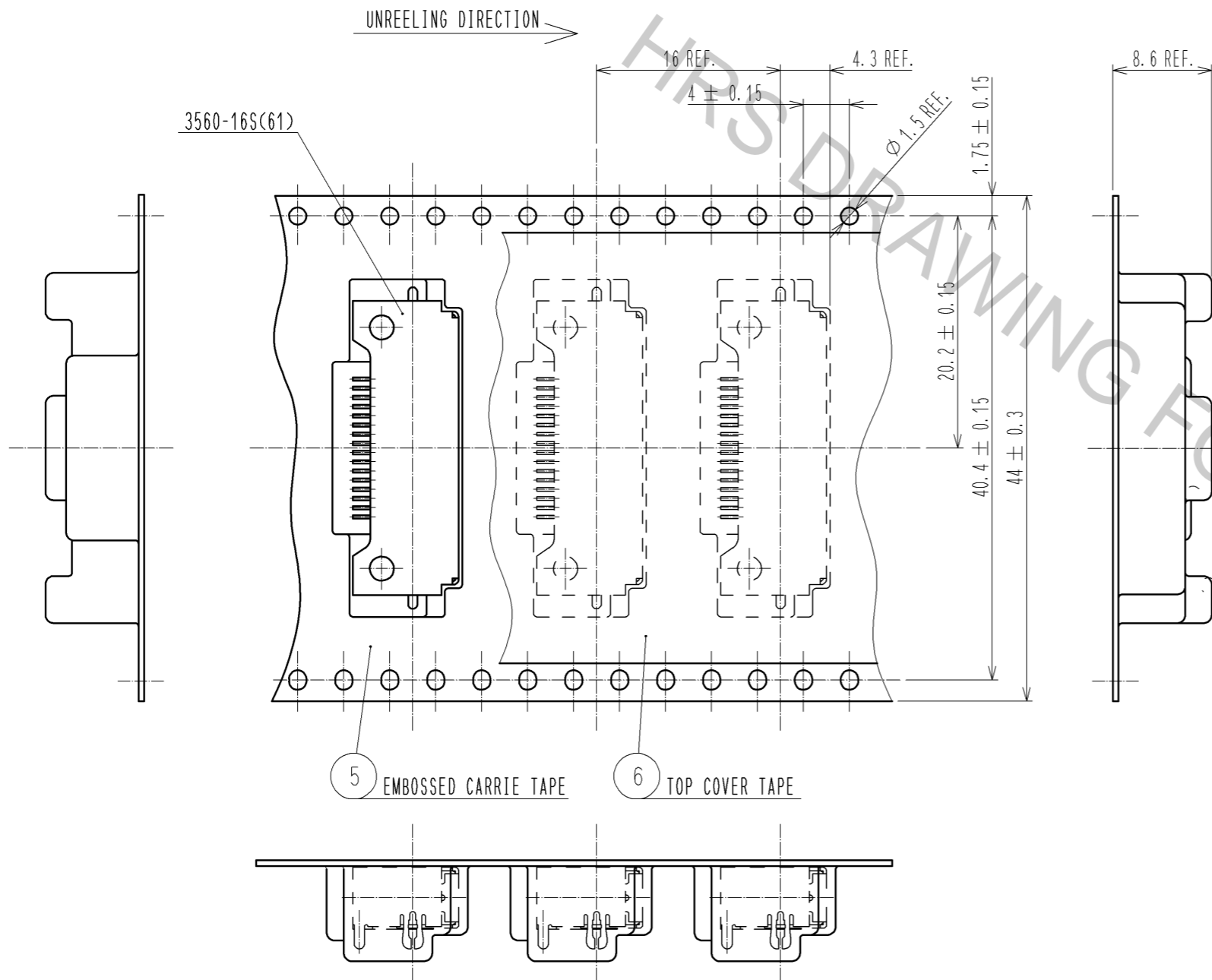
NO.	MATERIAL	FINISH	REMARKS	NO.	MATERIAL	FINISH	REMARKS
3	COPPER ALLOY	CONTACT(SURFACE) : GOLD PLATING 0.2μm MIN CONTACT(INTERMEDIATE) : PALLADIUM NICKEL PLATING 0.7μm MIN		6	POLYSTYRENE		
2	STAINLESS STEEL	LEAD OVER : TIN REFLOW PLATING 1μm MIN LEAD UNDER : NICKEL PLATING 0.2μm MIN		5	POLYSTYRENE		
1	POLYAMIDE	BLACK, UL94V-0		4	COPPER ALLOY	CONTACT(SURFACE) : GOLD PLATING 0.2μm MIN CONTACT(INTERMEDIATE) : PALLADIUM NICKEL PLATING 0.7μm MIN LEAD OVER : TIN COPPER PLATING 3μm MIN LEAD UNDER : NICKEL PLATING 2μm MIN	

UNITS	SCALE	COUNT	DESCRIPTION OF REVISIONS	DESIGNED	CHECKED	DATE
mm	4:1	1	DIS-E-004465	P. EKSOURIYA	NM. NISHIMATSU	12.12.20

APPROVED	CHECKED	DESIGNED	DRAWN	DRAWING NO.	PART NO.	CODE NO.
HO. MIWA	YH. ENAMI	TU. TANIGUCHI	YK. SATO	EDC3-120417-04	3560-16S(61)	CL235-0001-3-61

4 FIG-3 FIGURE OF PACKAGED CONNECTOR CONDITION (2:1)

5 FIG-4 FIGURE PF TAPE AND REEL CONDITION (SCALE:FREE)



NOTES 4 CONNECTOR STORAGE STATUS SHALL BE AS SHOWN IN FIG-3.
 5 TAPE AND REEL CONDITION SHALL BE AS SHOWN IN FIG-4
 AND NUMBER OF CONNECTOR STORAGE PER REEL:500 PCS.

HRS	DRAWING NO.	EDC3-120417-04	2/2
	PART NO.	3560-16S(61)	
	CODE NO.	CL235-0001-3-61	