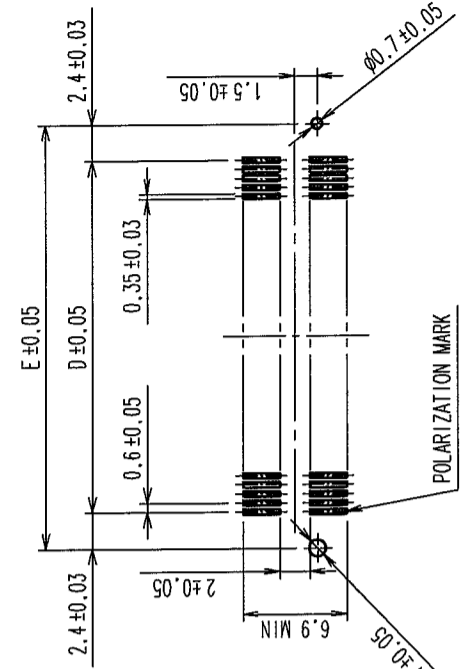


COUNT	DESCRIPTION OF REVISIONS	BY	CHKD	DATE	COUNT	DESCRIPTION OF REVISIONS	BY	CHKD	DATE
3	RE-F-09671	K.N	H.Y	10.04.08					

RECOMMENDED LAND PATTERN DIMENSION OF P.C.B. (MOUNTING SIDE)

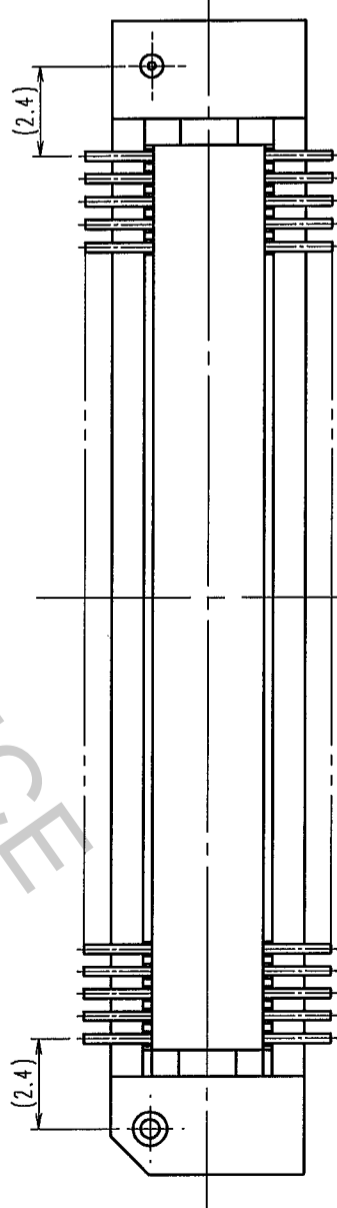
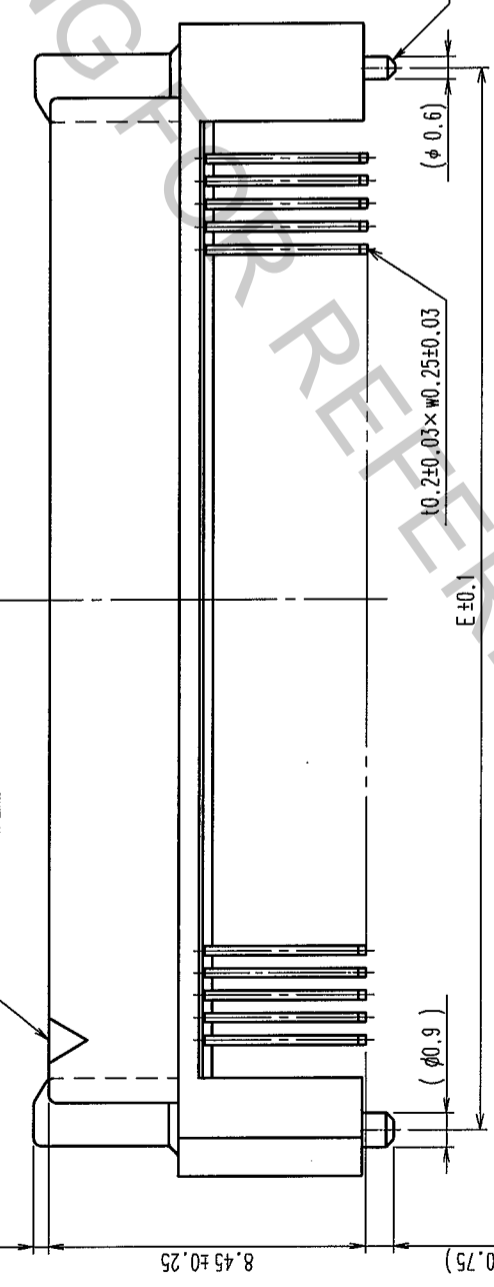
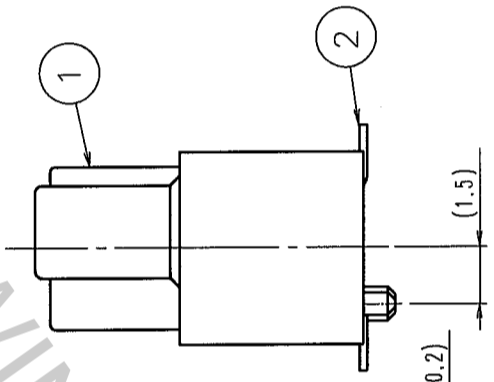


DIMENSION TABLE OF CONNECTOR AND P.C.B. LAND PATTERN.

PART No.	CODE No.	6	7	A	B	C	D	E
FX8C-60P-SV4(93)	CL578-0581-8-93	60	×	24.60	23.00	20.70	17.40	22.20
FX8C-80P-SV4(93)	CL578-0583-3-93	80	×	30.60	29.00	26.70	23.40	28.20
FX8C-100P-SV4(93)	CL578-0585-9-93	100	×	36.60	35.00	32.70	29.40	34.20
FX8C-120P-SV4(93)	CL578-0586-1-93	120	-	42.60	41.00	38.70	35.40	40.20
FX8C-140P-SV4(93)	CL578-0587-4-93	140	×	48.60	47.00	44.70	41.40	46.20

- NOTE 1. LEAD CO-PLANARITY SHALL BE 0.1mm MAX.
 2. EMBOSSED CARRIER TAPE PACKAGING SHALL BE APPLIED TO THIS PRODUCT.
 SEE NEXT PAGE FOR DETAILS.
 3. THIS PRODUCT HAS TAPE FOR VACUUM PICKUP.
 SEE NEXT PAGE FOR DETAIL OF STICKING POSITION, ETC.
 4. FOR MODIFICATION, ETC. PREVENTIVE HOLE FOR SINK MARK MAY BE ADDED ACCORDING TO CIRCUMSTANCES.
 5. THE DIMENSIONS IN PARENTHESES ARE FOR REFERENCE.

6 NUMBER OF CONTACTS.
 7 EXISTENCE
 × : PRODUCED, - : NO PRODUCED



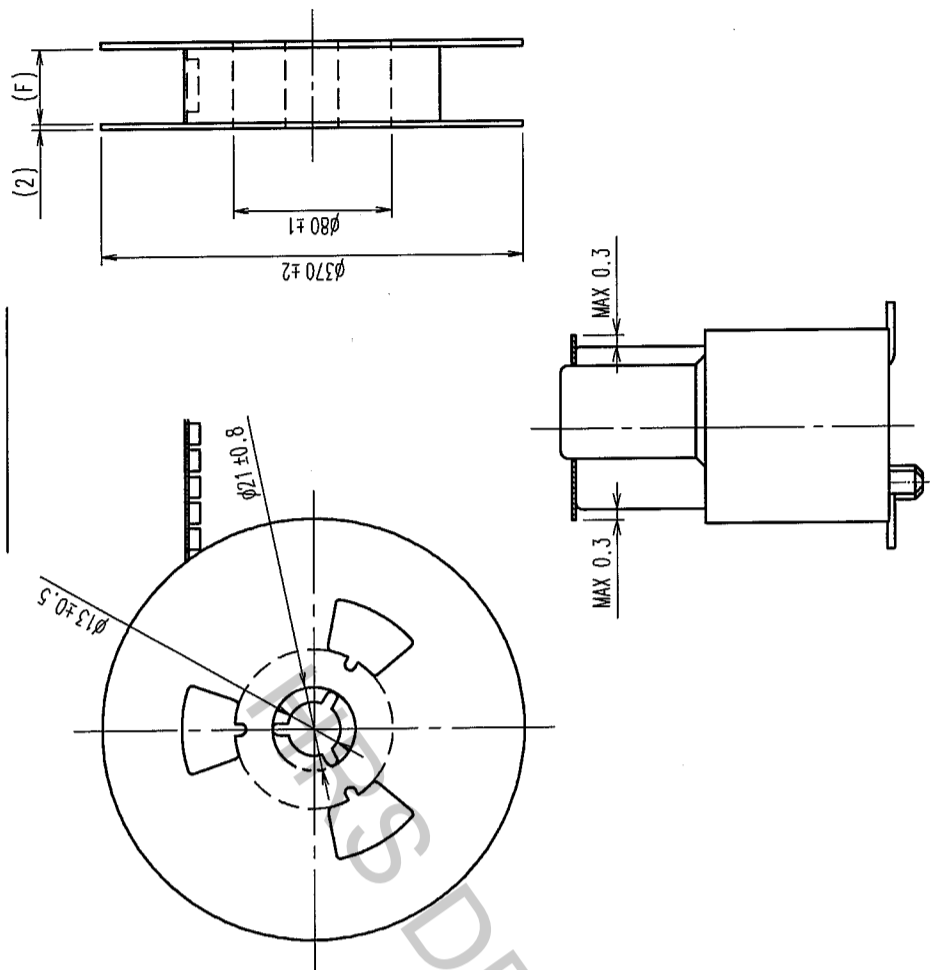
NO.	MATERIAL	FINISH, REMARKS	NO.	MATERIAL	DESIGNED	CHECKED	APPROVED	RELEASED	
1	PPS	LIGHT BROWN (UL94V-0)	2	PHOSPHOR BRONZE	S. SUZUKI	H. OKAWA	Y. YOSHIMURA		
CODE NO. (OLD)		CL		DRAWN		DESIGNED		CHECKED	
				03.02.04		03.02.12		03.02.14	
SCALE		FREE		PART NO.		FX8C-**-P-SV4(93)			
UNITS		MM		CODE NO.		CL578			

TO	
PCK	

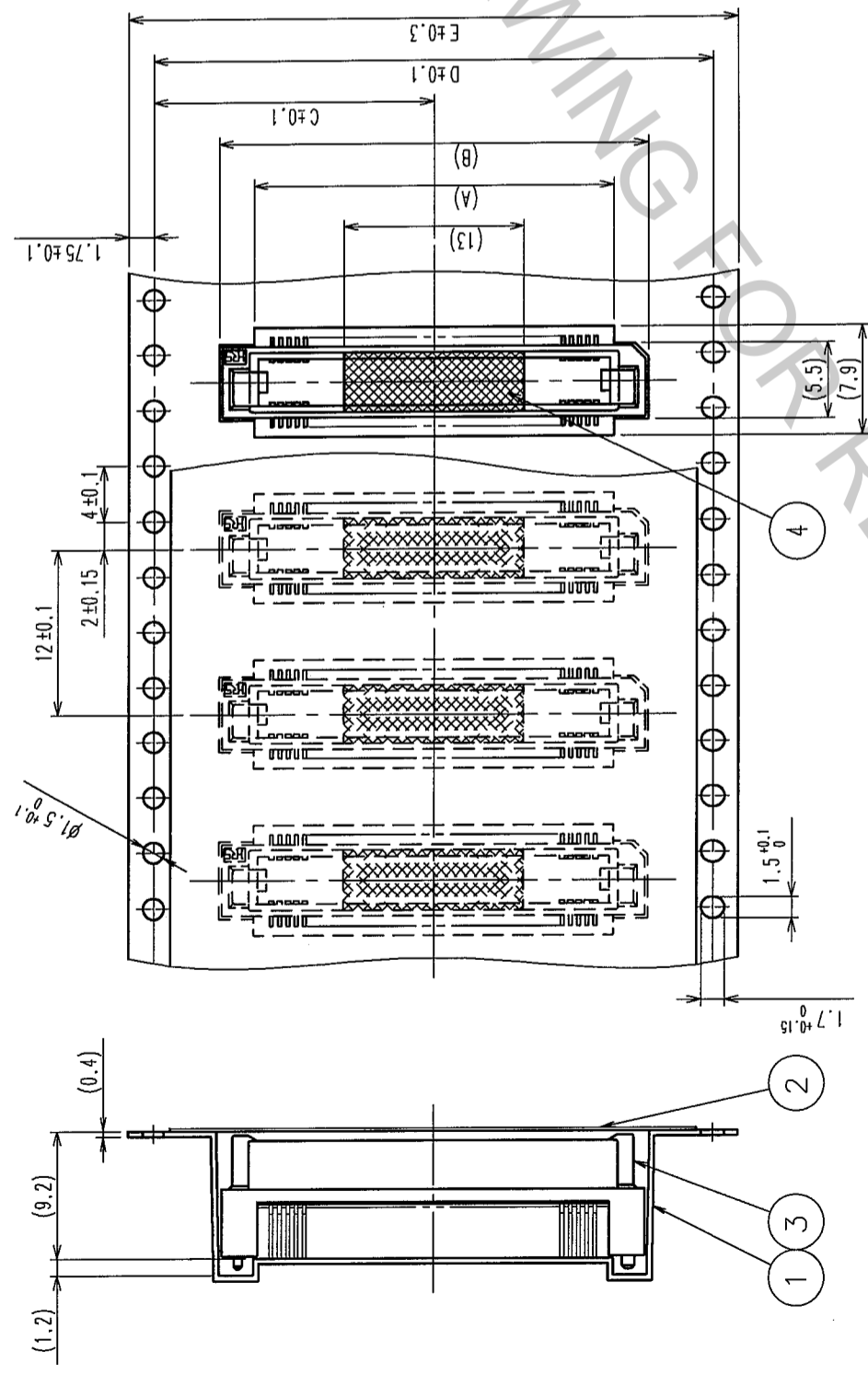
COUNT	DESCRIPTION OF REVISIONS	BY	CHKD	DATE	COUNT	DESCRIPTION OF REVISIONS	BY	CHKD	DATE
△					△				
△					△				
△					△				

UNREELING DIRECTION →

REEL DIMENSION

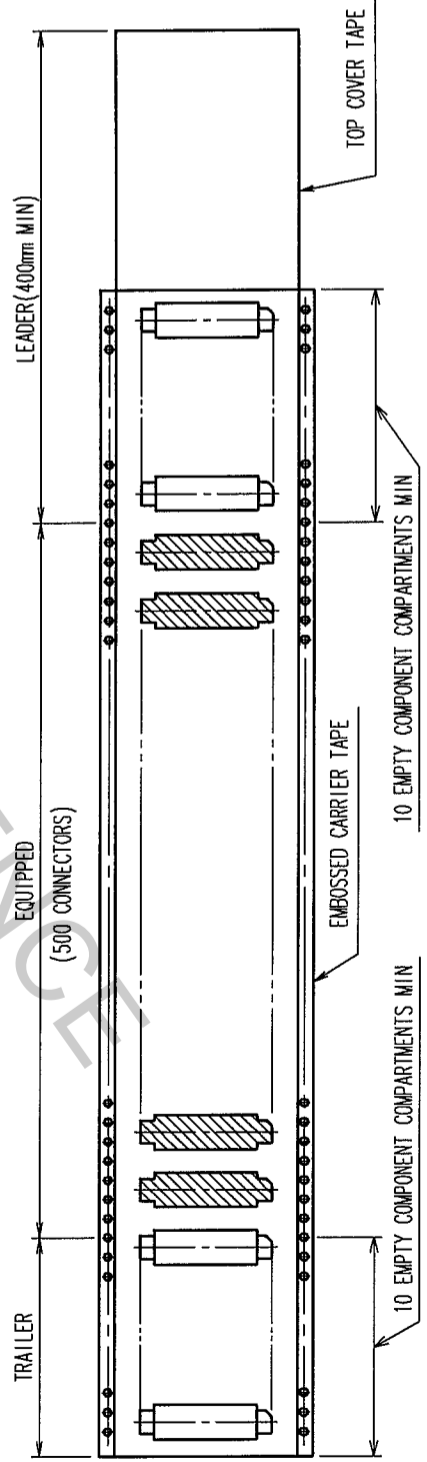
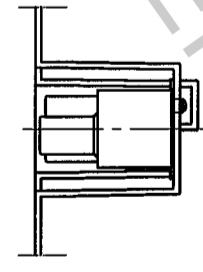


DETAIL OF TAPE FOR VACUUM PICKUP (5:1)



△ DIMENSION TABLE OF EMBOSSED CARRIER TAPE AND REEL.

PART No.	CODE No.	2	3	A	B	C	D	E	F
FX8C-60P-SV4(93)	CL578-0581-8-93	60	×	20	25	20.2	40.4	44	44.4
FX8C-80P-SV4(93)	CL578-0583-3-93	80	×	26	31	20.2	40.4	44	44.4
FX8C-100P-SV4(93)	CL578-0585-9-93	100	×	32	37	26.2	52.4	56	56.4
FX8C-120P-SV4(93)	CL578-0586-1-93	120	—	38	43	26.2	52.4	56	56.4
FX8C-140P-SV4(93)	CL578-0587-4-93	140	×	44	49	34.2	68.4	72	72.4



NOTE
 1. 1 REEL : 500 CONNECTORS
 2. NUMBER OF CONTACTS
 3. EXISTENCE
 X : PRODUCED, - : NO PRODUCED

NO.	MATERIAL	FINISH, REMARKS	NO.	MATERIAL	FINISH, REMARKS	DESIGNED	CHECKED	APPROVED	RELEASED
2	POLYESTER	(TOP COVER TAPE)	4	POLYIMIDE	(TAPE FOR VACUUM PICKUP)				
1	PS	(EMBOSSED CARRIER TAPE)	3		(CONNECTOR)				
CODE NO. (OLD)		DRAWN		DESIGNED		CHECKED		APPROVED	
CL		S. SUZUKI		K. NAKAMURA		H. OKAWA		Y. YOSHIMURA	
		03.02.04		03.02.12		03.02.14		03.02.15	
DRAWING NO.		PART NO.		FINISH, REMARKS		FINISH, REMARKS		FINISH, REMARKS	
EDC3-151089-23		FX8C-**P-SV4(93)							
SCALE		CODE NO.		FINISH, REMARKS		FINISH, REMARKS		FINISH, REMARKS	
FREE		HIROSE ELECTRIC CO., LTD		CL578					
UNITS		ITM							

TO PCK