

# C4532X7R3A472M160KA

TDK Item Description : C4532X7R3A472MT\*\*\*\*

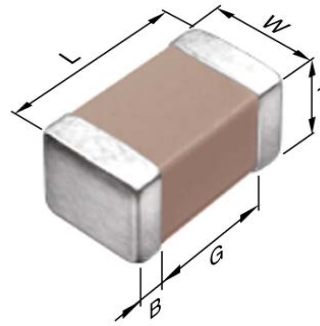


## Application & Main Feature

Commercial Grade ( High Voltage (1000V and over) )

## Series

C4532 [EIA CC1812]



## Dimensions

L 4.50mm +/-0.4mm  
 W 3.20mm +/-0.4mm  
 T 1.60mm +/-0.2mm  
 B 0.20mm Min.  
 G

## Temperature Characteristic

X7R (-55 to 125 degC +/-15%)

## Rated Voltage

3A (1000Vdc)

## Capacitance

4.7nF

## Capacitance Tolerance

M (+/-20%)

## Dissipation Factor

3% Max.

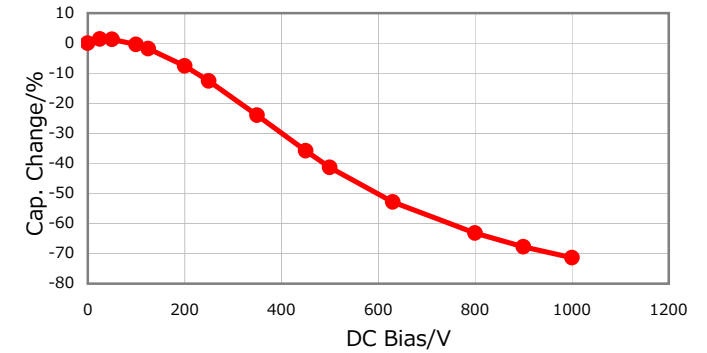
## Insulation Resistance

10Gohm Min.

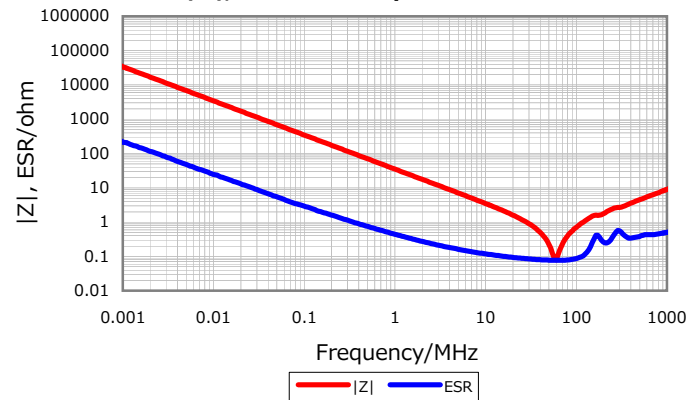
## AEC-Q200

Not Applicable

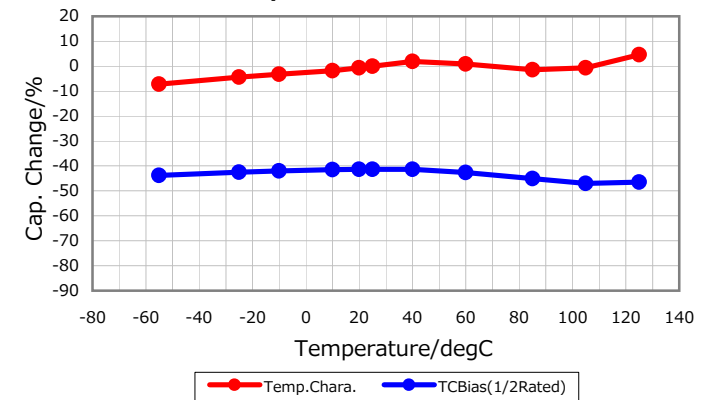
## DC Bias Characteristic



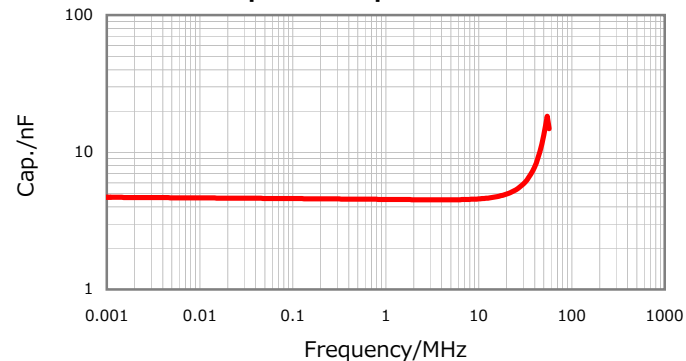
## |Z|, ESR vs. Freq. Characteristics



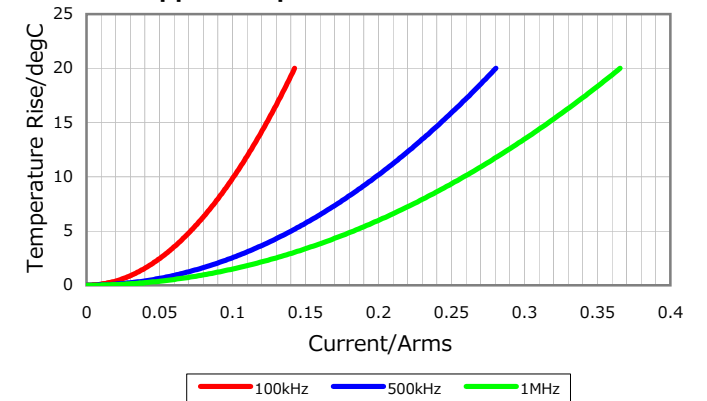
## Temperature Characteristics



## Cap. vs. Freq. Characteristic



## Ripple Temperature Rise Characteristics



Characterization Sheet ( Multilayer Ceramic Chip Capacitors )



All specifications are subject to change without notice.

January 4, 2016