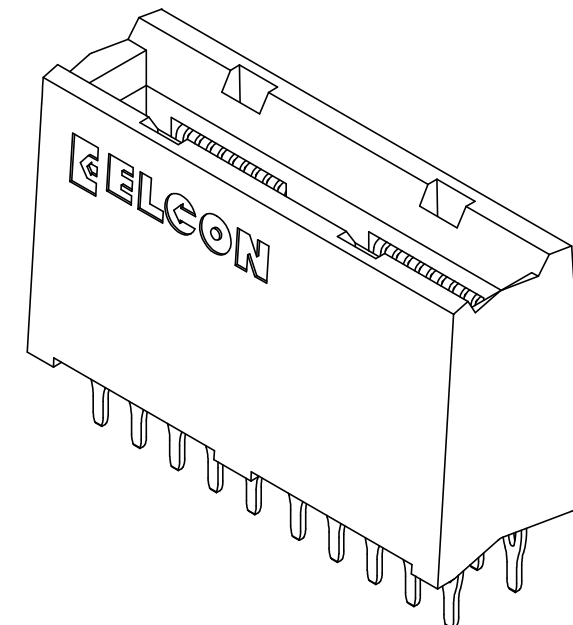


This drawing involves proprietary design rights of Tyco Electronics Corporation, and all design, manufacture, reproduction, use and sale rights regarding the same are expressly reserved. It is submitted for a specific purpose and the recipient by accepting this drawing, assumes custody and control and agrees to take reasonable precautions: (a) that this drawing will not be copied and reproduced, in whole or in part, or its contents revealed in any manner, or to any person except to meet the purpose for which it was delivered and (b) that any special features peculiar to this design will not be incorporated in other projects without the expressed written permission of Tyco Electronics Corporation.

REVISIONS			
EC	REV	DESCRIPTION	DATE
0S1Q-0337-04	A	INITIAL DRAWING	10/07/04
0S1Q-0436-04	B	ADDED DETAIL A FOR COMPLIANT PRESS FIT AND DETAIL B FOR OPTIONAL STYLE COMPLIANT TAIL ADDED NOTE 7 ON SHEETS 1 & 3	12/13/04

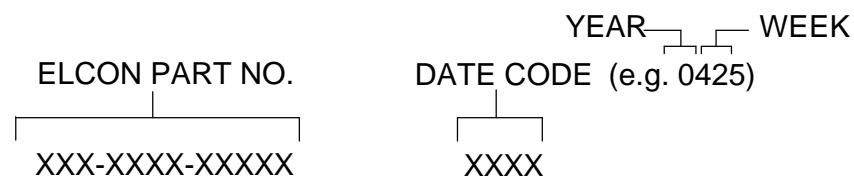
NOTES: UNLESS OTHERWISE SPECIFIED

- PART NUMBER CHANGES AND OR DESIGN CHANGES AFFECTING ITEM INTERCHANGEABILITY REQUIRE PRIOR ELCON APPROVAL AND AUTHORIZATION BY REVISION TO THIS DRAWING
- MATERIALS:
 INSULATORS: THERMPLASTIC, GLASS REINFORCED, COLOR: BLK
 UL 94V-0 FLAMMABILITY RATED
 SIGNAL CONTACTS: COPPER ALLOY
 POWER CONTACTS: COPPER ALLOY
- FINISHES:
 CONTACT PLATING: SELECTIVE GOLD PER MIL-G-45204, 0.000030" NOMINAL OVER NICKEL PER QQ-N-290
 TERMINALS: TIN PLATED, MATTE FINISH, .000040" TO .000120" THICKNESS (PRE-PRODUCTION TERMINATION MAY BE TIN/LEAD PLATED)

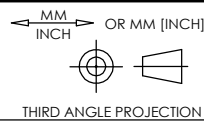




- CONNECTOR ACCEPT 0.093 ± .005" [2.36 ± 0.13] THICK PCB.
- RECOMMENDED PRINTED CIRCUIT HOLE
 FINISHED HOLE: $\phi 1.02 \pm .08$ [.040 ± .003]
 DRILLED HOLE: $\phi 1.15 \pm .013$ [.0453 ± .0005]
 COPPER PLATE: .025 [.0010] MINIMUM (PER SURFACE)
 TIN PLATE: .008 [.0003] MINIMUM (PER SURFACE)
- MACHINED PART 284-0492-00900 WILL BE REPLACED BY MOLDED PART 284-0492-11000 WHEN TOOLING BECOMES AVAILABLE.
- TO AVOID CONTACT DAMAGE, REMOVE SHARP PCB EDGE.

- ITEMS PROVIDED TO THIS SPECIFICATION TO BE PERMANENTLY IDENTIFIED PER THE FOLLOWING IDENTIFIER:

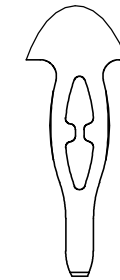
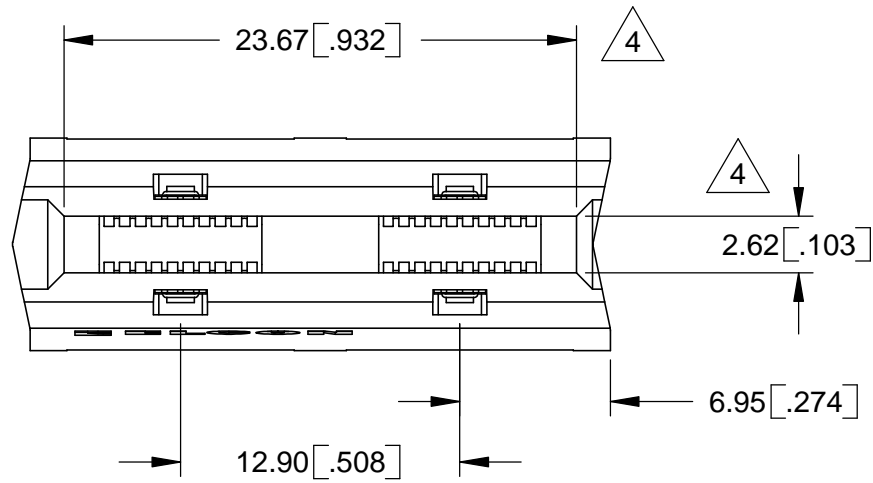


- REFERENCE ELCON PART NO. 284-0492-11000
284-0492-00900

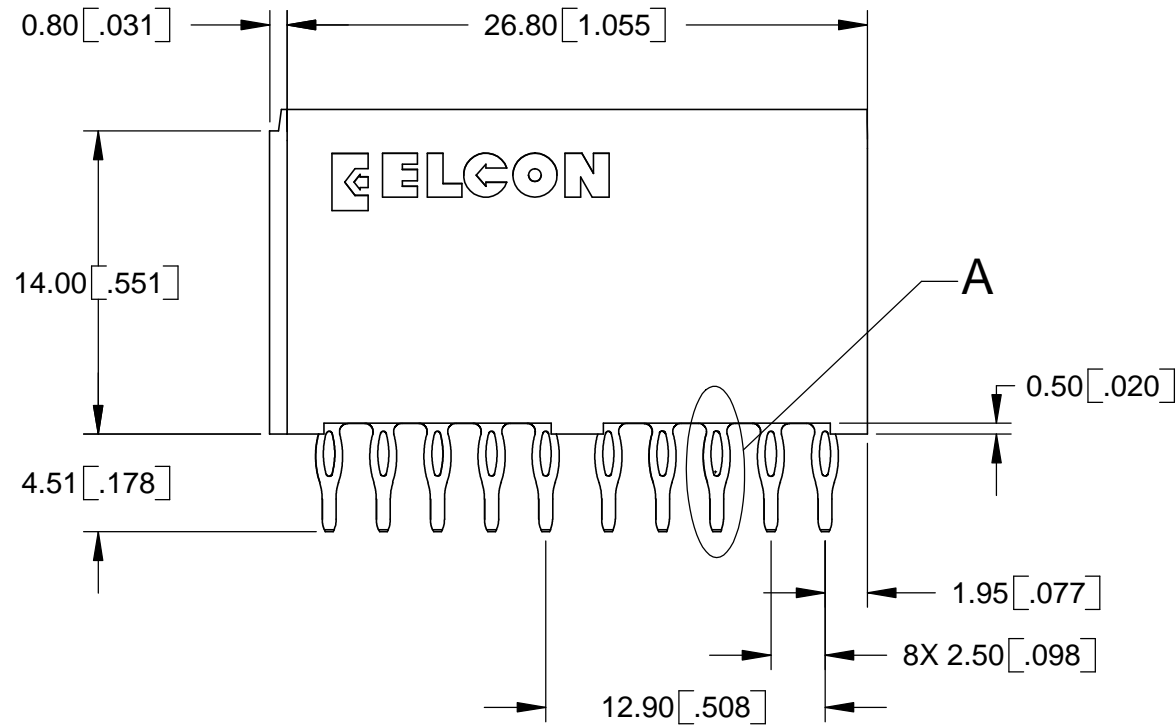
 THIRD ANGLE PROJECTION UNLESS OTHERWISE SPECIFIED DIMENSIONS ARE IN MILLIMETERS [INCH]	DRAWN R. Thein	DATE 09/15/04	 Tyco Electronics Corporation Menlo Park, CA 94025		 TITLE SOCKET CONNECTOR, CROWNEDGE 2 SEGMENTS, COMPLIANT TAIL, .093" BLADE PN: 284-0492-11000 (MOLDED) PN: 284-0492-00900 (MACHINED)
	CHECKED		APPROVED D. CHAU	12/13/04	
TOLERANCES ANGLES ± 2.0° DECIMALS .XX ± 0.25 [.010] .X ± 0.5 [.02]	APPROVED M. ALIM	12/15/04	SIZE B	DWG NUMBER C = 1766354	REV. B
FILE NAME SC1766354B.SLDDRW			DWG SCALE: 3 = 1		SH 1 OF 3

This drawing involves proprietary design rights of Tyco Electronics Corporation, and all design, manufacture, reproduction, use and sale rights regarding the same are expressly reserved. It is submitted for a specific purpose and the recipient by accepting this drawing, assumes custody and control and agrees to take reasonable precautions: (a) that this drawing will not be copied and reproduced, in whole or in part, or its contents revealed in any manner, or to any person except to meet the purpose for which it was delivered and (b) that any special features peculiar to this design will not be incorporated in other projects without the expressed written permission of Tyco Electronics Corporation.

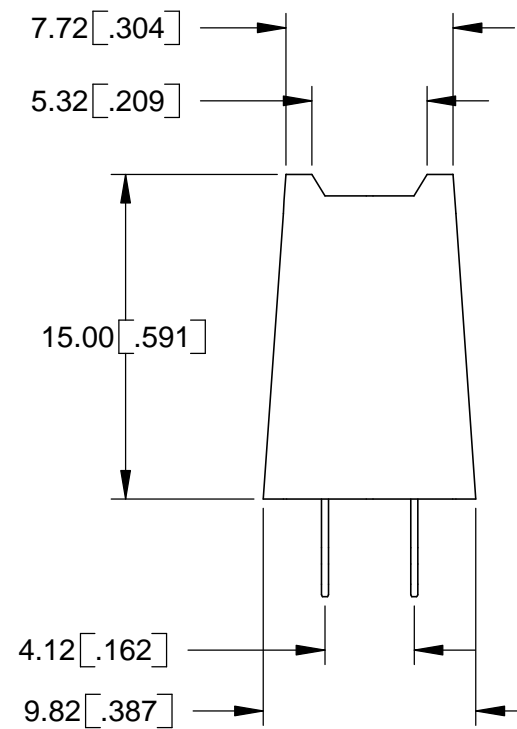
REVISIONS			
EC	REV	DESCRIPTION	DATE
		SEE SHEET 1	



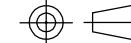
DETAIL B
OPTIONAL STYLE
COMPLIANT PRESS FIT
SCALE 6 : 1



DETAIL A
COMPLIANT PRESS FIT
SCALE 6:1



← MM → OR MM [INCH]
INCH



THIRD ANGLE PROJECTION
UNLESS OTHERWISE SPECIFIED DIMENSIONS ARE IN MILLIMETERS [INCH]

TOLERANCES
ANGLES ± 2.0°
DECIMALS
.XX ± 0.25 [.010]
.X ± 0.5 [.02]

DRAWN R. Thein	DATE 09/15/04
CHECKED	
APPROVED	
APPROVED D. CHAU	12/13/04
DCA APPROVED M. ALIM	12/15/04
FILE NAME	SC1766354B.SLDDRW

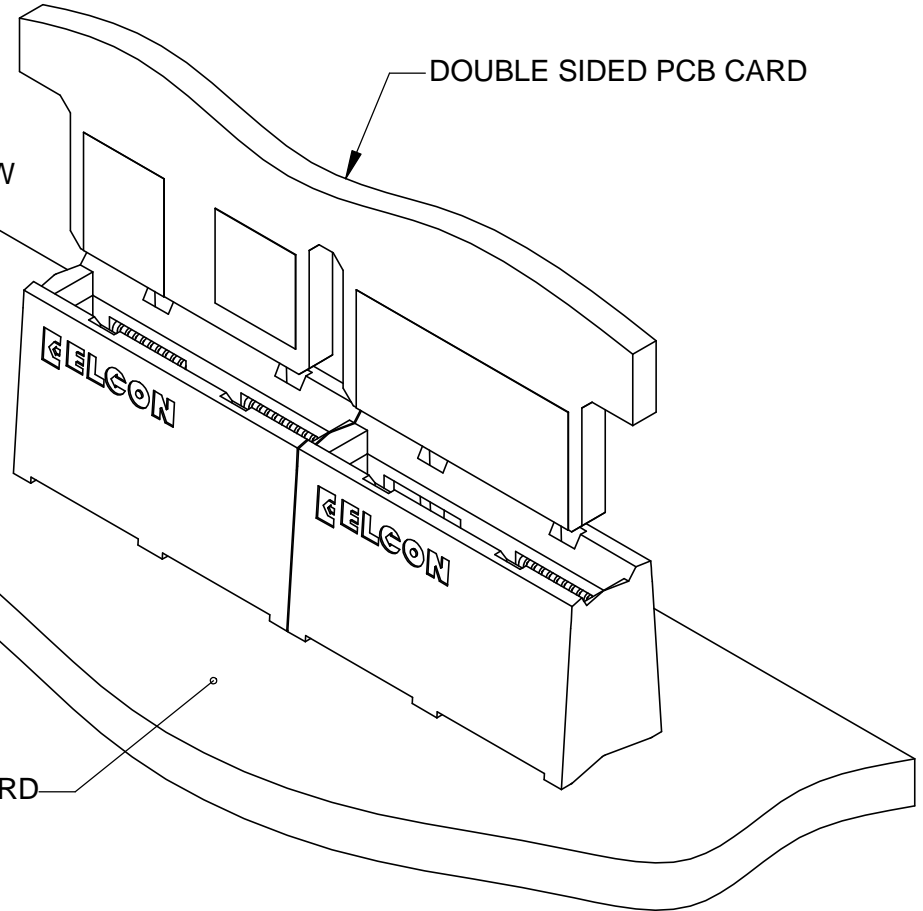
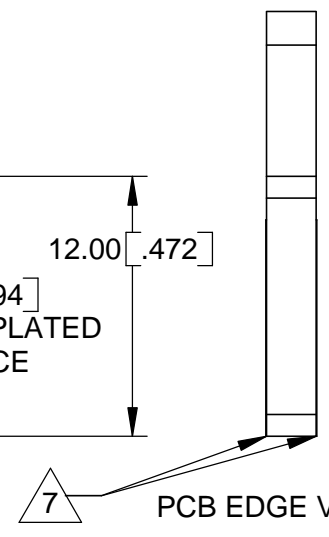
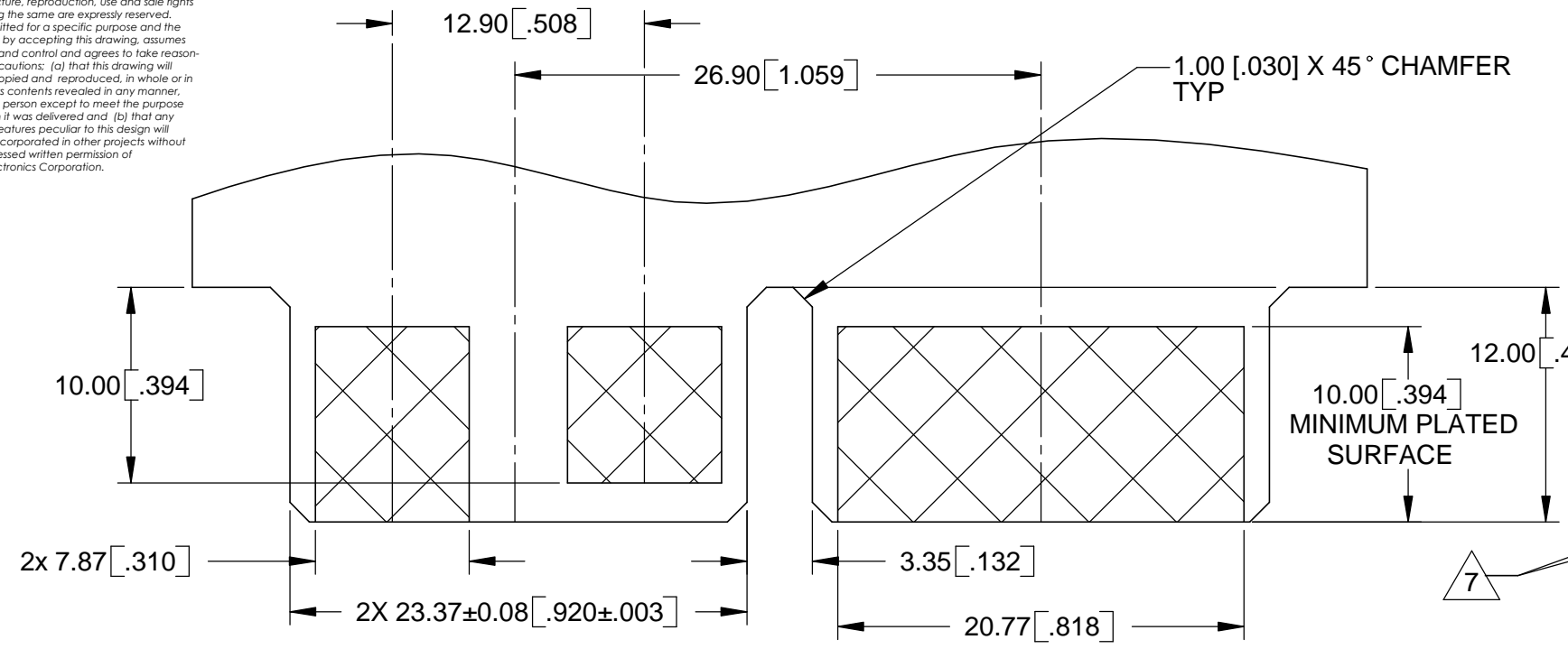
Tyco Electronics Corporation Menlo Park, CA 94025			
TITLE SOCKET CONNECTOR, CROWNEDGE 2 SEGMENTS, COMPLIANT TAIL, .093" BLADE PN: 284-0492-11000 (MOLDED) PN: 284-0492-00900 (MACHINED)			
SIZE B	DWG NUMBER C = 1766354	REV. B	
DWG SCALE: 3 = 1		SH 2 OF 3	

This drawing involves proprietary design rights of Tyco Electronics Corporation, and all design, manufacture, reproduction, use and sale rights regarding the same are expressly reserved. It is submitted for a specific purpose and the recipient by accepting this drawing, assumes custody and control and agrees to take reasonable precautions: (a) that this drawing will not be copied and reproduced, in whole or in part, or its contents revealed in any manner, or to any person except to meet the purpose for which it was delivered and (b) that any special features peculiar to this design will not be incorporated in other projects without the expressed written permission of Tyco Electronics Corporation.

REVISIONS			
EC	REV	DESCRIPTION	DATE
		SEE SHEET 1	

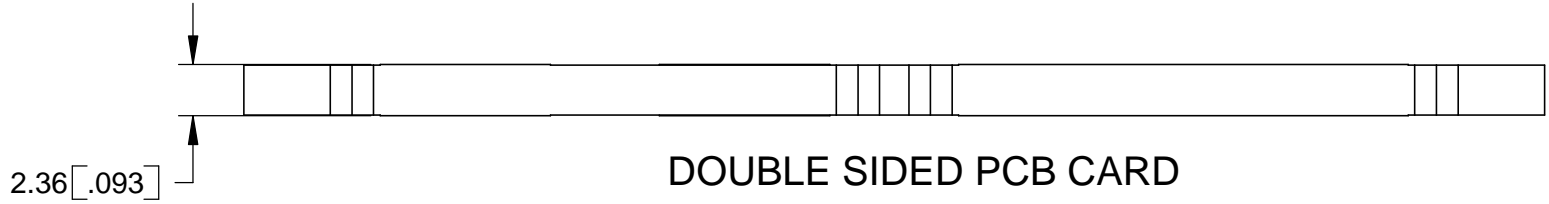
B

B

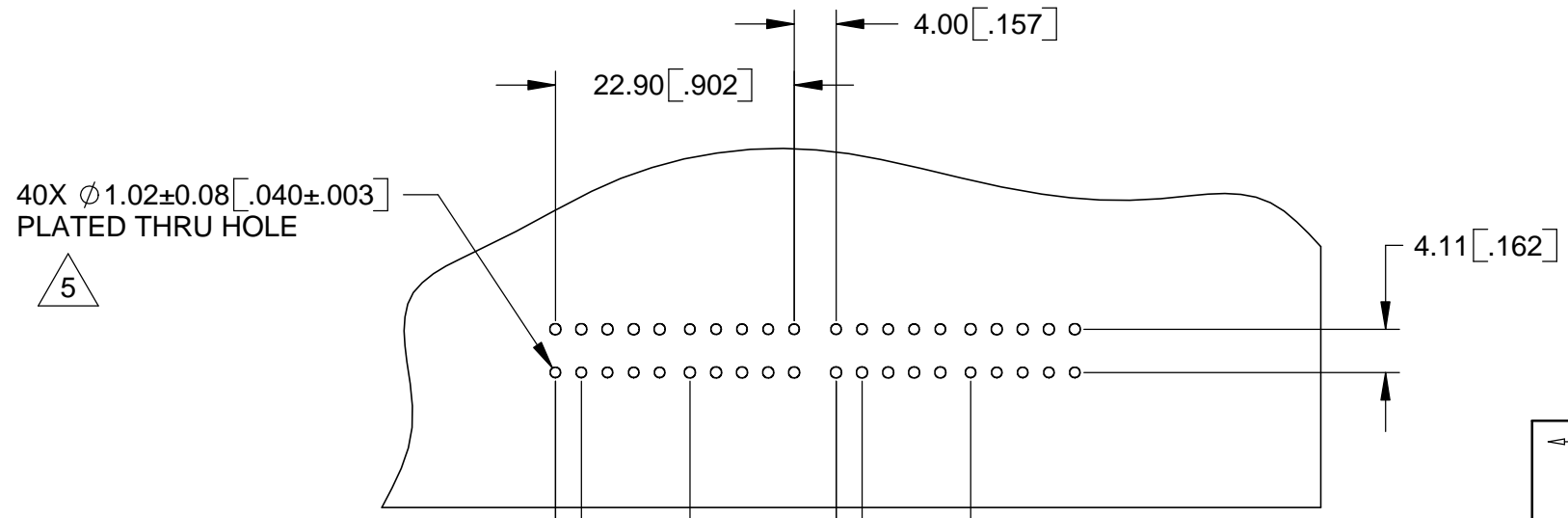


A

A



DOUBLE SIDED PCB CARD



5 RECOMMENDED PCB LAYOUT

 THIRD ANGLE PROJECTION UNLESS OTHERWISE SPECIFIED DIMENSIONS ARE IN MILLIMETERS [INCH] TOLERANCES ANGLES ± 2.0° DECIMALS .XX ± 0.25 [.010] .X ± 0.5 [.02]	DRAWN R. Thein CHECKED APPROVED APPROVED D. CHAU DCA APPROVED M. ALIM FILE NAME SC1766354B.SLDDRW	DATE 06/02/04 12/13/04 12/15/04	Tyco Electronics Corporation Menlo Park, CA 94025 ELCON TITLE USER INFORMATION RECOMMENDED PCB LAYOUT AND MATING BOARD SIZE B DWG NUMBER C = 1766354 REV. B
	DWG SCALE: 3 = 1 SH 3 OF 3		

4

3

2

1