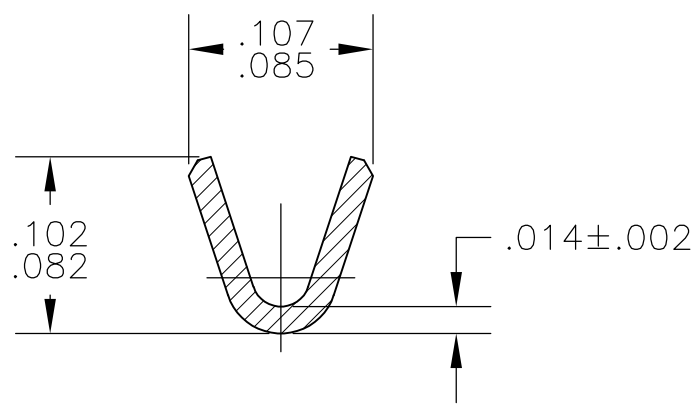
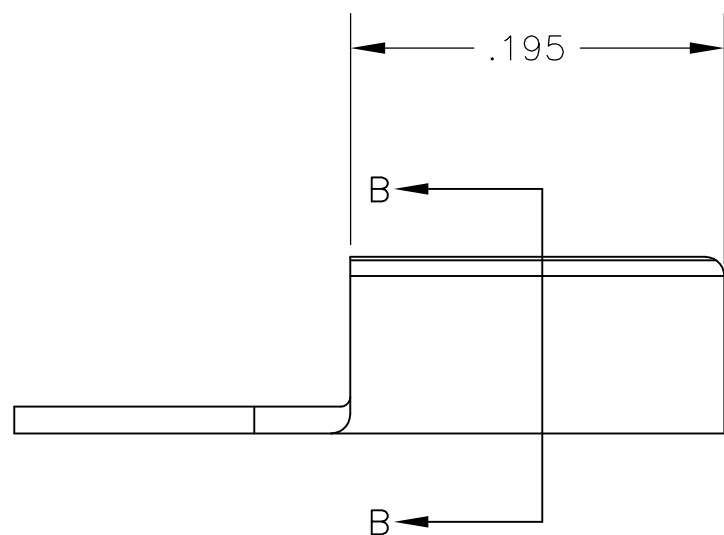
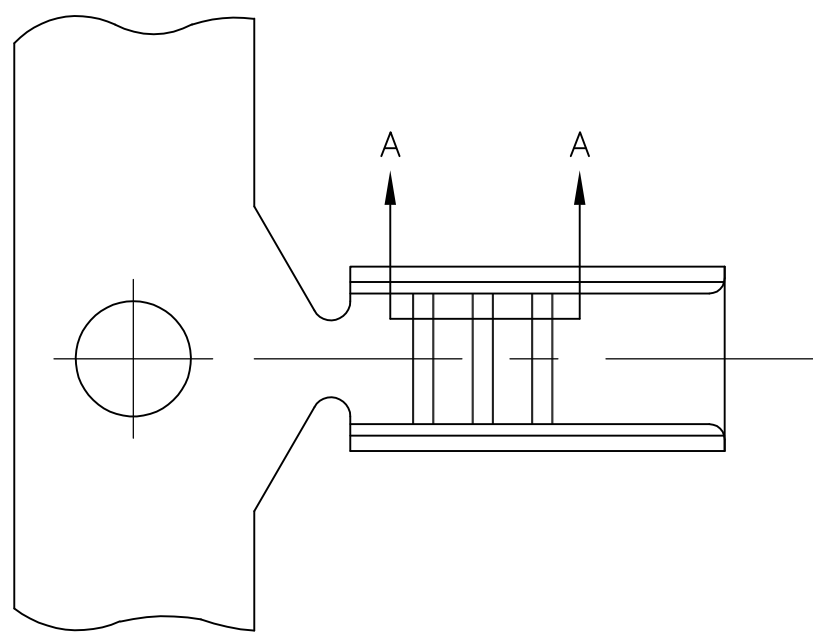
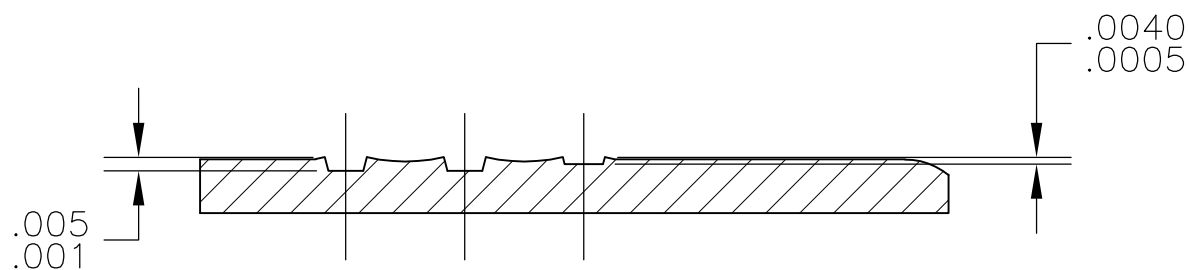


THIS DRAWING IS UNPUBLISHED. RELEASED FOR PUBLICATION  
 © COPYRIGHT BY TYCO ELECTRONICS CORPORATION. ALL RIGHTS RESERVED.

LOC	DIST	REVISIONS					
AF	50	P	LTR	DESCRIPTION	DATE	DWN	APVD
			E	REVISED PER ECR-10-004665	08MAR10	JR	GP



SECTION B-B



SECTION A-A  
SCALE 20:1

- 1 CONTINUOUS STRIP ON REELS
- 2 P/N 62341-3 SAME AS P/N 62341-1 EXCEPT REVERSE REELED

OBSOLETE	480-1500	CMA	TIN	2	62341-3
OBSOLETE	480-1500	CMA	NONE		62341-2
	480-1500	CMA	TIN		62341-1
		WIRE RANGE	FINISH		PART NO

THIS DRAWING IS A CONTROLLED DOCUMENT.		DWN	11OCT2006		Tyco Electronics Corporation Harrisburg, PA 17105-3608	
DIMENSIONS: INCHES		CHK	G.D.PORTA		NAME	
TOLERANCES UNLESS OTHERWISE SPECIFIED:		APVD	G.D.PORTA		MINIATURE AMPLIVAR SPLICE	
0 PLC ± -		PRODUCT SPEC	-		-	
1 PLC ± -		APPLICATION SPEC	-		-	
2 PLC ± -		WEIGHT	-		-	
3 PLC ± .015		SIZE	CAGE CODE	DRAWING NO	RESTRICTED TO	
4 PLC ± -						
ANGLES ± 1' 0"		A3 00779		C-62341		
MATERIAL	FINISH	CUSTOMER DRAWING		SCALE	SHEET	REV
BRASS	SEE TABLE			10:1	1 OF 1	E