

4

3

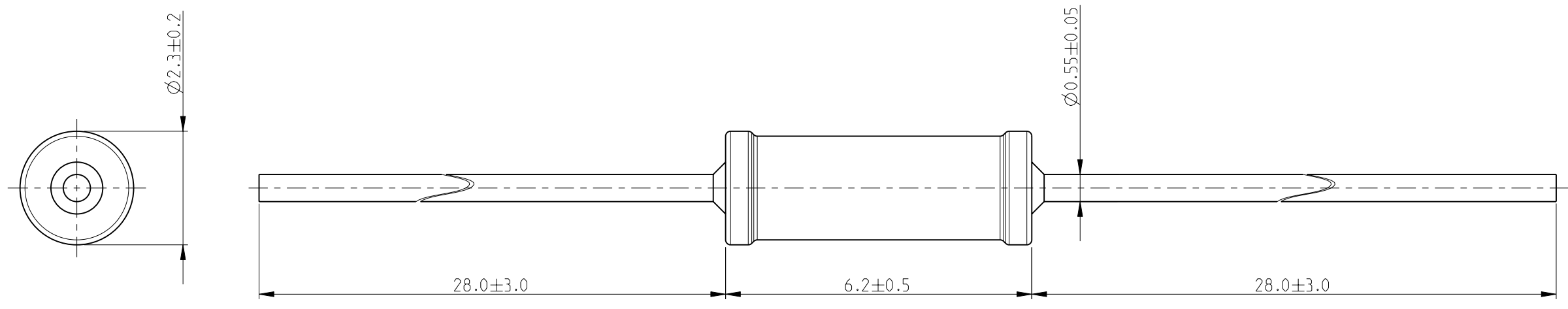
2

1

THIS DRAWING IS UNPUBLISHED. RELEASED FOR PUBLICATION 2010
 © COPYRIGHT 2010 BY TYCO ELECTRONICS CORPORATION. ALL RIGHTS RESERVED.

| LOC | DIST | REVISIONS | | | |
|-----|------|-------------|-------------|-----------|----------|
| P | LTR | DESCRIPTION | DATE | DWN | APVD |
| E | B | BA | NEW RELEASE | 19-FEB-10 | MRS St.P |

FOR FURTHER INFORMATION SEE DATA SHEET FOR SERIES LR, METAL FILM FIXED RESISTORS



RoHS Compliant

| | | | | |
|---|--|--|--|--------|
| <small>THIS DRAWING IS A CONTROLLED DOCUMENT FOR TYCO ELECTRONICS CORPORATION IT IS SUBJECT TO CHANGE AND THE CONTROLLING ENGINEERING ORGANIZATION SHOULD BE CONTACTED FOR THE LATEST REVISION.</small> | | DWN MAHARUDRA 19-FEB-10 CHK ALLAN.P 19-FEB-10 APVD STEPHEN.P 19-FEB-10 | Tyco Electronics Corporation Dorcan, Swindon, SN3 5HH | |
| DIMENSIONS: mm | TOLERANCES UNLESS OTHERWISE SPECIFIED: 0 PLC ± 0.2 1 PLC ± 0.1 2 PLC ± - 3 PLC ± - 4 PLC ± - ANGLES ± 5° | PRODUCT SPEC - APPLICATION SPEC - WEIGHT - | NAME METAL FILM FIXED RESISTORS SERIES LR1 | |
| MATERIAL - | FINISH - | SIZE A3 CAGE CODE 00779 DRAWING NO C-1622425 | RESTRICTED TO - | |
| CUSTOMER DRAWING | | SCALE 10:1 | SHEET 1 OF 1 | REV BA |