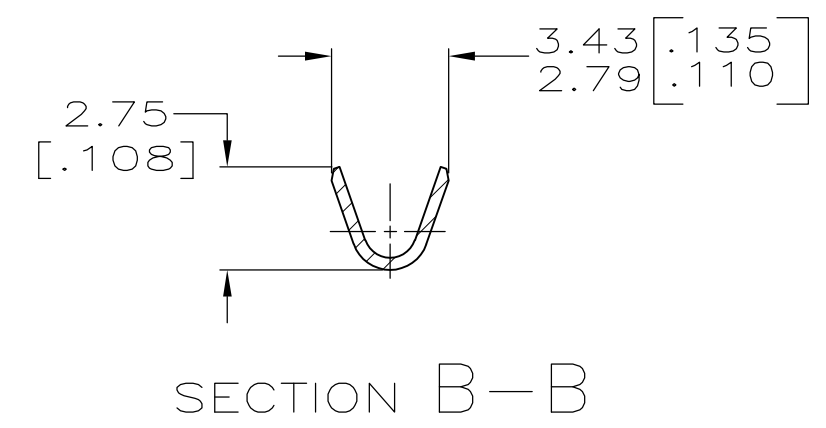
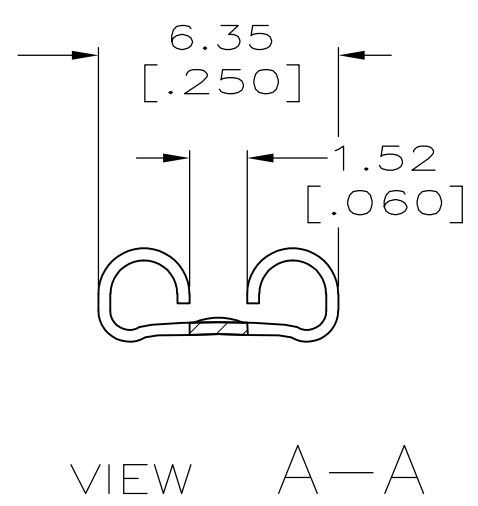
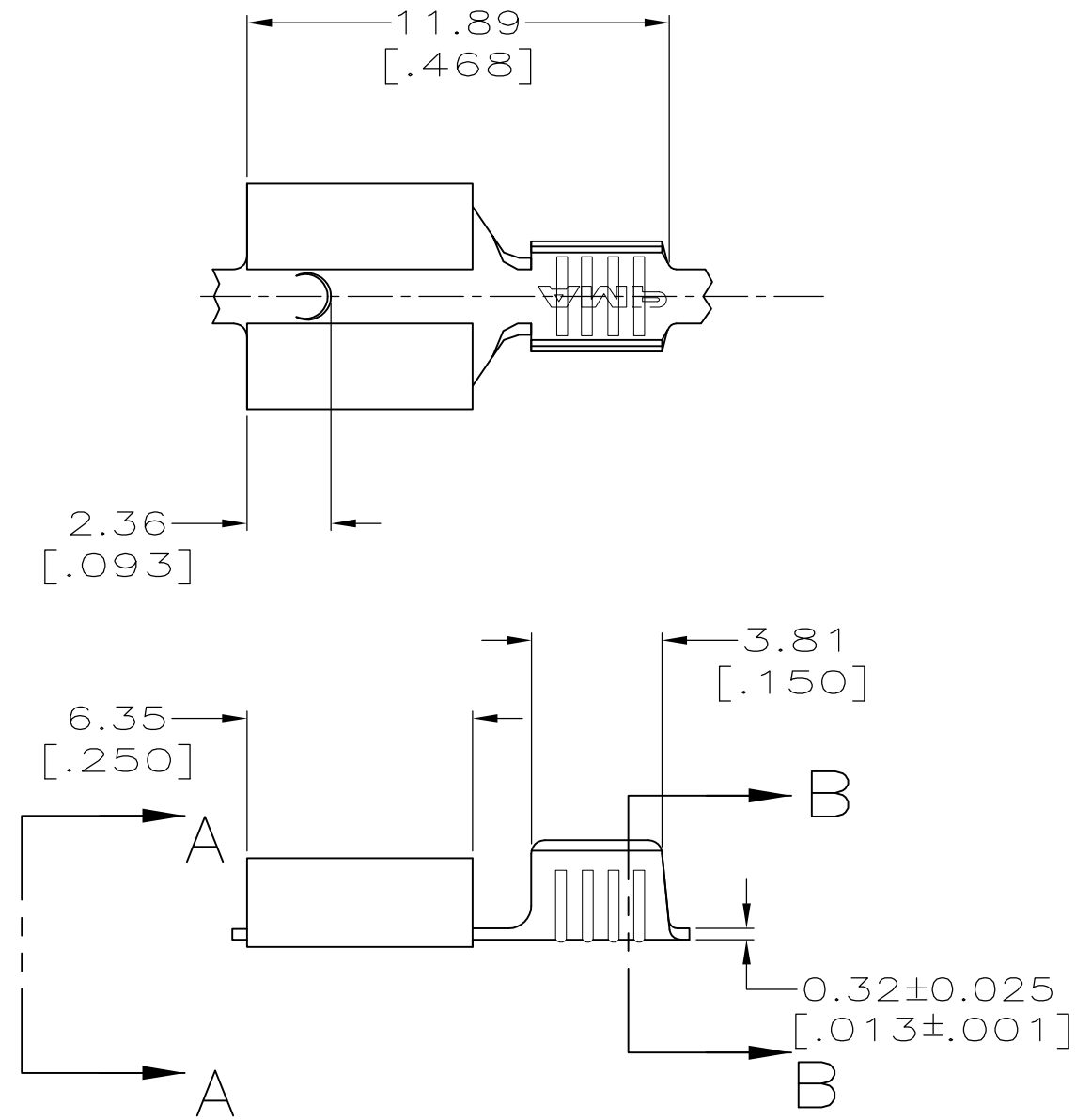



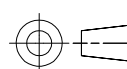
THIS DRAWING IS UNPUBLISHED. RELEASED FOR PUBLICATION  
 © COPYRIGHT - By - ALL RIGHTS RESERVED.

LOC	DIST	REVISIONS			
P	LTR	DESCRIPTION	DATE	DWN	APVD
AF	50	G	REVISED PER ECR-12-013445	18OCT12	KH PD



- 1 CONTINUOUS STRIP ON REELS
- 2 MATING TAB THK TO BE 0.81±0.025 [.032±.001].
- 3 WIRE SIZE IS [#22-#18] AWG.
- 4 FEED IS 13.46±0.13 [.530±.005].

OBSOLETE	TIN	60205-2
	-	60205-1
	FINISH	PART NO.

THIS DRAWING IS A CONTROLLED DOCUMENT.		DWN	JR RUTH	12/18/98	 <b>TE Connectivity</b>
DIMENSIONS: mm [INCHES]		CHK	MS FEHER	12/18/98	
		APVD	S HEADER	12/18/98	
TOLERANCES UNLESS OTHERWISE SPECIFIED: 0 PLC ± - 1 PLC ± - 2 PLC ± 0.38 [.015] 3 PLC ± - 4 PLC ± - ANGLES ± -		PRODUCT SPEC	-		
MATERIAL	BRASS	FINISH	SEE TABLE	APPLICATION SPEC	NAME
		WEIGHT	-		RECEPTACLE, FASTON, 5.21 [.205] SERIES, SPECIAL
		CUSTOMER DRAWING		SIZE	A3
				CAGE CODE	00779
				DRAWING NO	C-60205
				RESTRICTED TO	-
				SCALE	5:1
				SHEET	1 OF 1
				REV	G