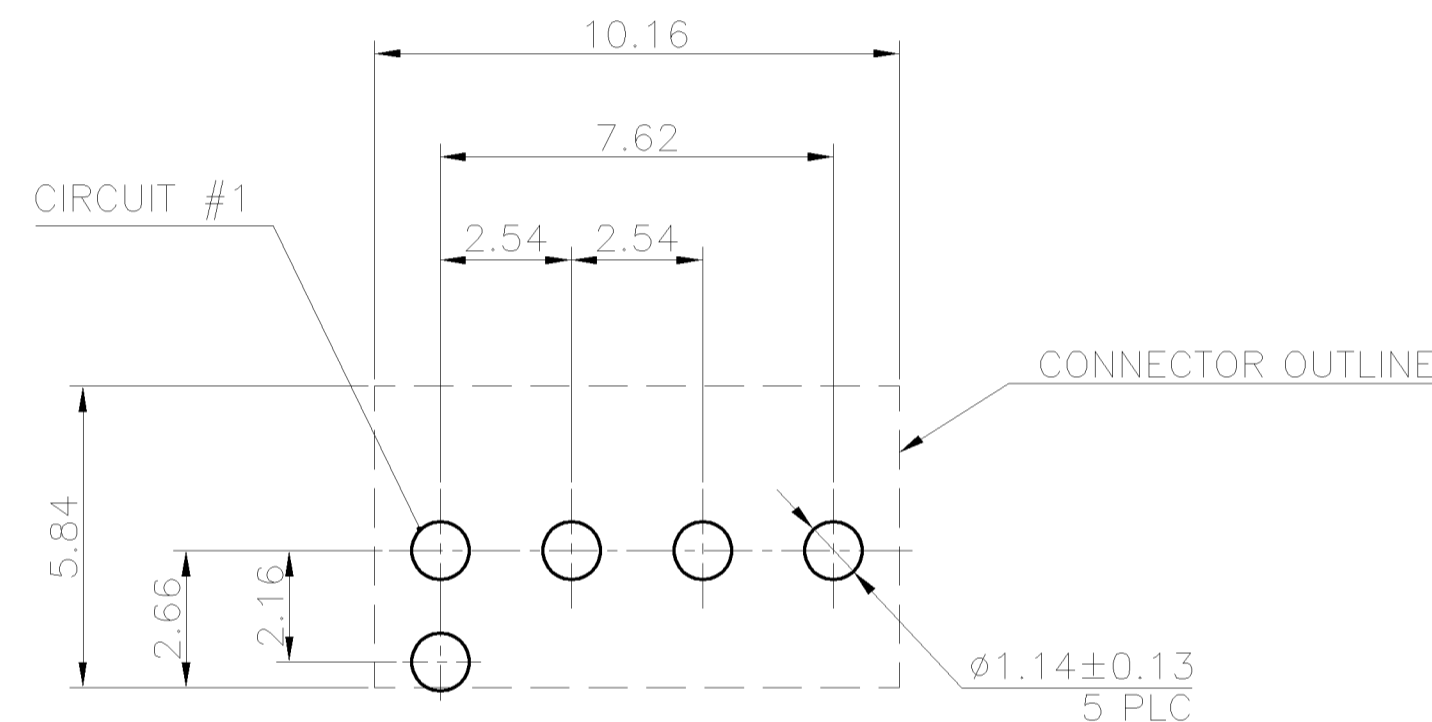
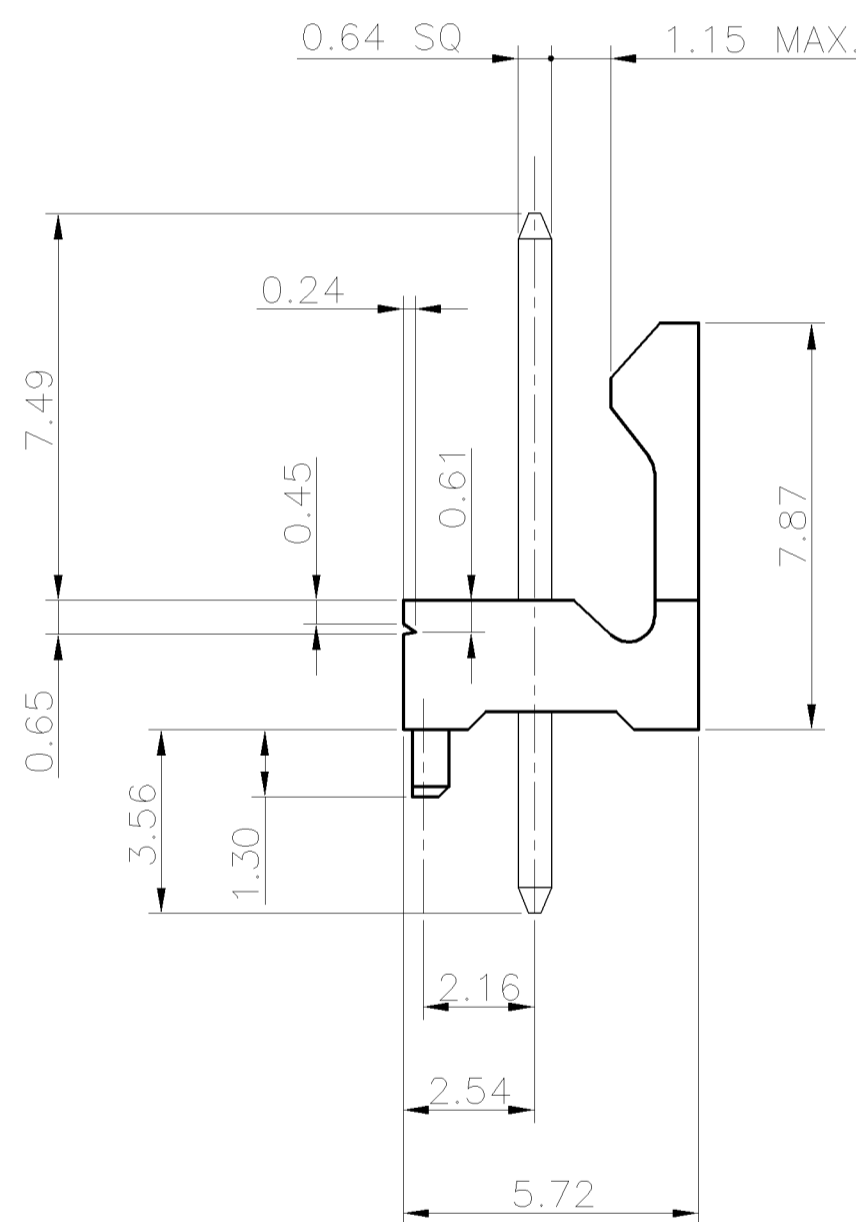
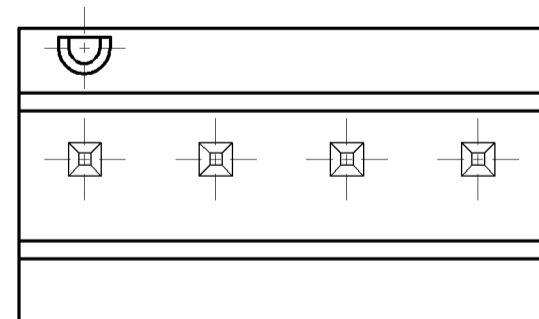
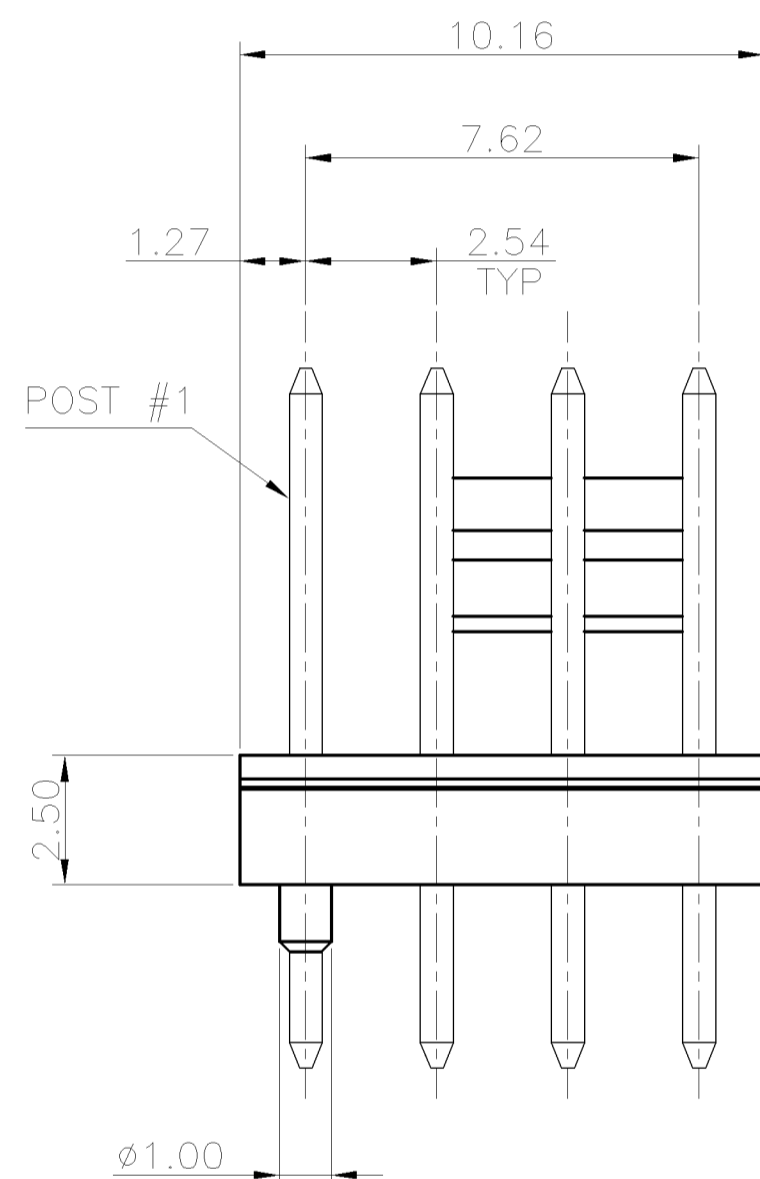
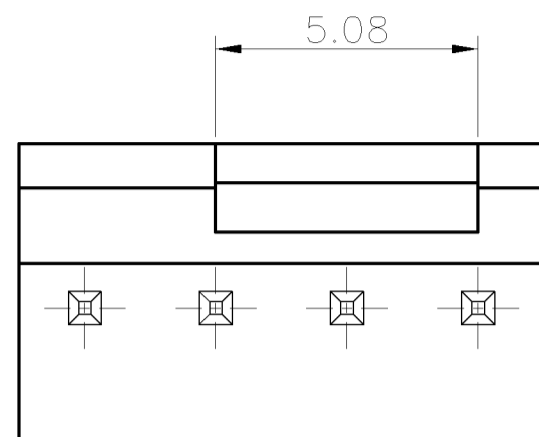


THIS DRAWING IS UNPUBLISHED. RELEASED FOR PUBLICATION
 © COPYRIGHT 2010 BY TYCO ELECTRONICS CORPORATION. ALL RIGHTS RESERVED.

LOC DW	DIST —	REVISIONS			
P	LTR	DESCRIPTION	DATE	DWN	APVD
	A	ECR-10-017174	18AUG10	AW	WK

NOTES:

- MATERIAL:
HOUSING: THERMOPLASTIC WITH 30% GF, UL94 V-0, COLOR: (SEE TABLE)
POSTS: BRASS.
- FINISH:
POSTS: 100μ" MIN. MATTE-TIN OVER 50μ" MIN. NICKEL ON ENTIRE POST.
- WAVE SOLDER CAPABLE TO 265°C PER TE TEST SPEC. 109-202, CONDITION B.
- NO TE LOGO AND DATE CODE ON THE PRODUCT.



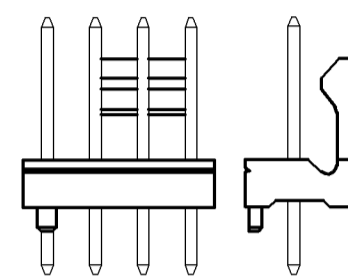
TOLERANCE: ±0.05, THICKNESS: 1.2
 RECOMMENDED PCB LAYOUT
 (TOP VIEW)

RED BRICK (032C)	1734926-4
BLUE (293C)	1734926-3
WHITE	1734926-2
BLACK	1734926-1
HOUSING COLOR (PANTONE)	PART NUMBER

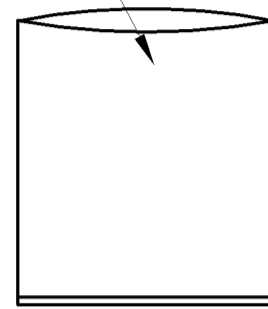
THIS DRAWING IS A CONTROLLED DOCUMENT.		DWN A. WU	08DEC2005	Tyco Electronics Corporation Taipei, Taiwan	
DIMENSIONS: MM		CHK S. HOU	08DEC2005	NAME	
TOLERANCES UNLESS OTHERWISE SPECIFIED:		APVD W.J. KE	08DEC2005	FRICITION LOCK PIN HEADER, 4 POSITION, 2.54 PITCH, 0.64 SQ	
0 PLC ± -		PRODUCT SPEC		SIZE	
1 PLC ± 0.3		108-57470		CAGE CODE	
2 PLC ± 0.25		APPLICATION SPEC		DRAWING NO	
3 PLC ± 0.2		—		RESTRICTED TO	
4 PLC ± -		WEIGHT 0.34 GRAMS		A300779	
ANGLES ± 3°		CUSTOMER DRAWING		G=1734926	
MATERIAL SEE NOTE		FINISH SEE NOTE		SCALE —	
				SHEET 1 OF 2	
				REV A	

THIS DRAWING IS UNPUBLISHED. RELEASED FOR PUBLICATION
 © COPYRIGHT 2010 BY TYCO ELECTRONICS CORPORATION. ALL RIGHTS RESERVED.

LOC	DIST	REVISIONS					
DW	—	P	LTR	DESCRIPTION	DATE	DWN	APVD
				SEE SHEET 1			

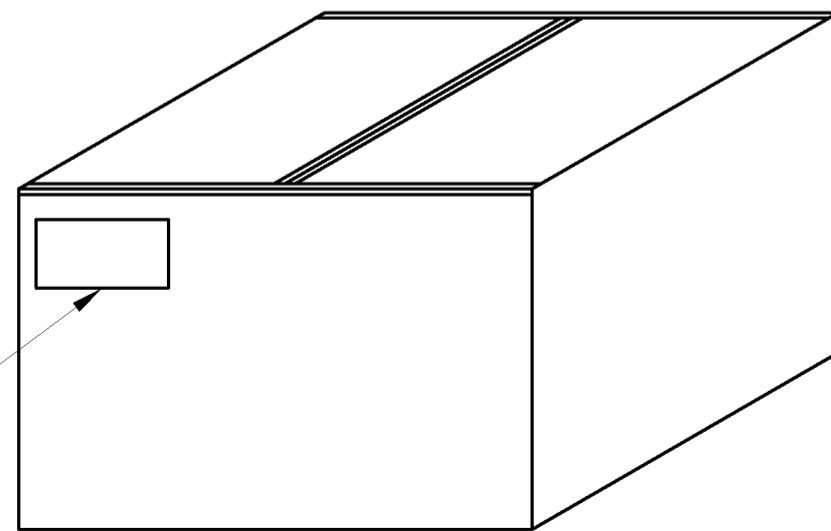
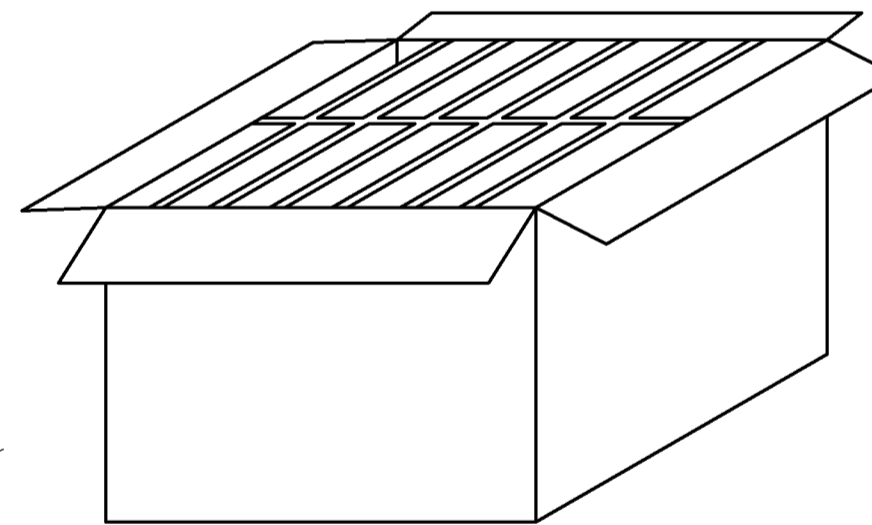
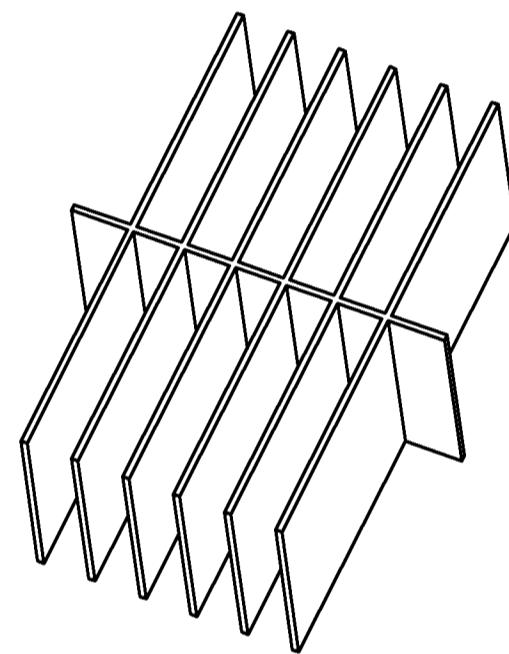
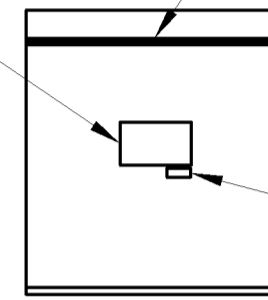


DESICCANT



LABEL

SEAL



NOTES:

- DIMENSION:
PE BAG: 270 X 185 X 0.1
BOX: 372 X 293 X 172
- QUANTITY:
1000 PCS/PE BAG
14 PE BAGS/BOX
14000 PCS/BOX
- WEIGHT:
NET WEIGHT: 5.6 KG
GROSS WEIGHT: 6.4 KG

THIS DRAWING IS A CONTROLLED DOCUMENT.		DWN A. WU	08DEC2005	Tyco Electronics Corporation Taipei, Taiwan	
DIMENSIONS: MM		CHK S. HOU	08DEC2005		
TOLERANCES UNLESS OTHERWISE SPECIFIED:		APVD W.J. KE	08DEC2005	NAME	
0 PLC ± - 1 PLC ± - 2 PLC ± - 3 PLC ± - 4 PLC ± - ANGLES ± -		PRODUCT SPEC		FRICITION LOCK PIN HEADER, 4 POSITION, 2.54 PITCH, 0.64 SQ	
MATERIAL		APPLICATION SPEC		SIZE	RESTRICTED TO
FINISH		WEIGHT		A3	—
		CUSTOMER DRAWING		CAGE CODE	DRAWING NO
				00779	1734926
				SCALE	SHEET
				—	2 OF 2
				REV	A