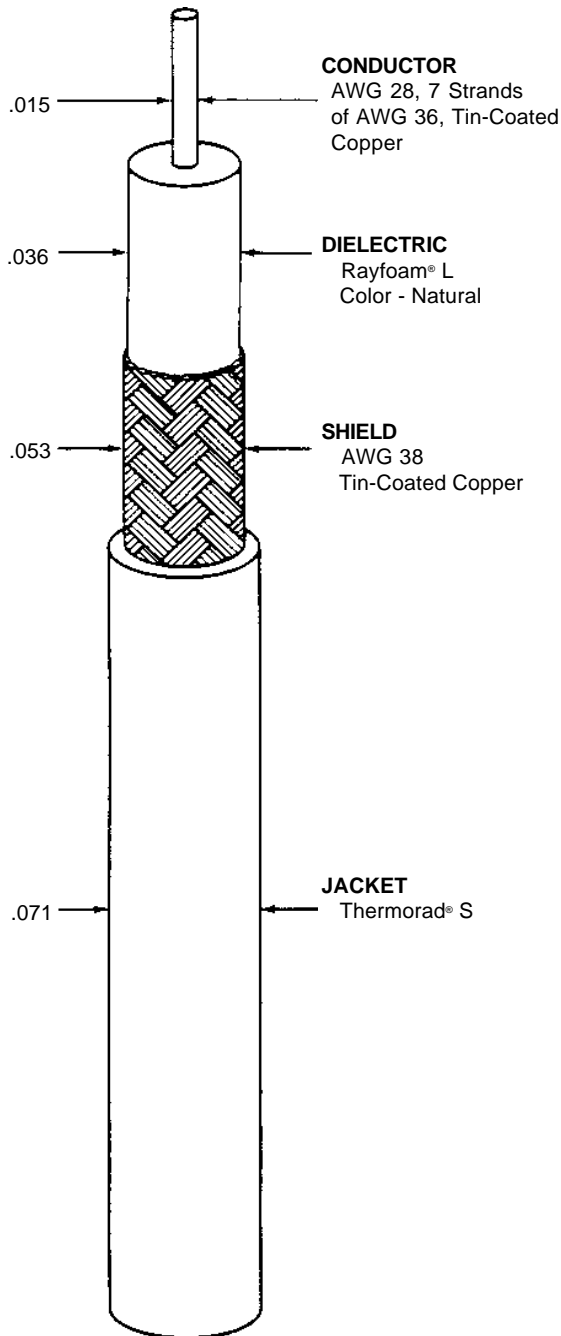


THIS SPECIFICATION SHEET FORMS A PART OF THE LATEST ISSUE OF RAYCHEM SPECIFICATION 1200.

**CONSTRUCTION DETAILS**

DIMENSIONS ARE NOMINAL VALUES IN INCHES UNLESS OTHERWISE DESIGNATED.



Outer jacket color will be black (designated by a "-0" appended to the part number, e.g., 5028A1311-0) unless otherwise specified.

Designate outer jacket color with a dash number in accordance with MIL-STD-681. Other codes and suffixes may be added to the part number, as necessary, to capture any additional requirements imposed by the purchase order.

**ELECTRICAL CHARACTERISTICS**

CHARACTERISTIC IMPEDANCE	50 ± 2 ohms, Method A
CAPACITANCE	28.3 pF/ft. (nominal)
VELOCITY OF PROPAGATION	74% (nominal)

**ADDITIONAL REQUIREMENTS**

ELECTRICAL

CONDUCTOR RESISTANCE	68.2 ohms/1000 ft. (nominal)
INSULATION RESISTANCE	10,000 megohms (minimum) for 1000 ft.
JACKET FLAWS	
SPARK TEST	1.0 kV (rms)
IMPULSE TEST	6.0 kV (peak)
VOLTAGE WITHSTAND (DIELECTRIC)	1000 volts (rms) (minimum)

ENVIRONMENTAL

FLAMMABILITY	Method C
HEAT SHOCK	225°C
LOW TEMPERATURE- COLD BEND	-55°C/2.00 inch mandrel

PHYSICAL

INSULATION (DIELECTRIC)	
ELONGATION	50% (minimum)
TENSILE STRENGTH	1000 lbf/in <sup>2</sup> (minimum)
JACKET	
ELONGATION	200% (minimum)
TENSILE STRENGTH	2000 lbf/in <sup>2</sup> (minimum)
JACKET THICKNESS	.007 inch (minimum) .009 inch (nominal)
SHIELD COVERAGE	90% (minimum)

WEIGHT	4.2 lbs/1000 ft. (nominal)
--------	----------------------------

Users should evaluate the suitability of this product for their application. Specifications are subject to change without notice.

Tyco Electronics also reserves the right to make changes in materials or processing, which do not affect compliance with any specification, without notification to Buyer.