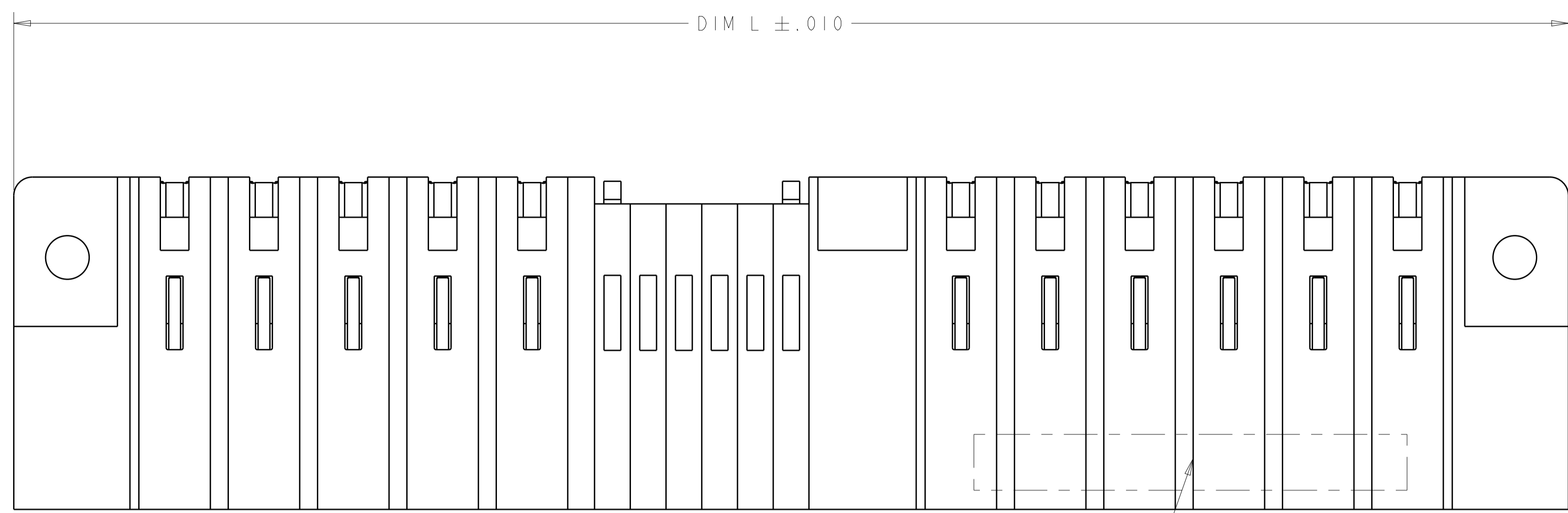
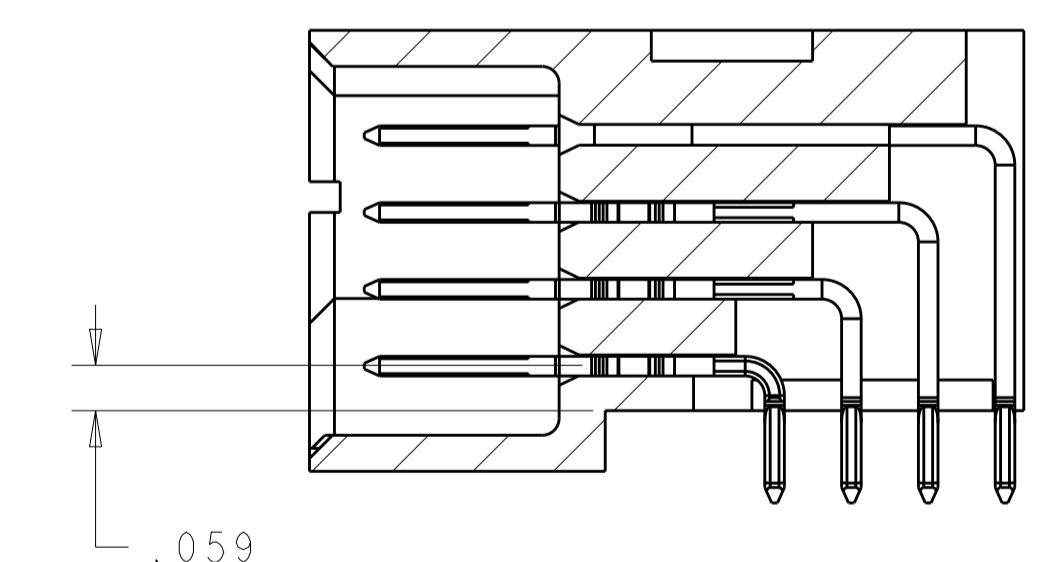
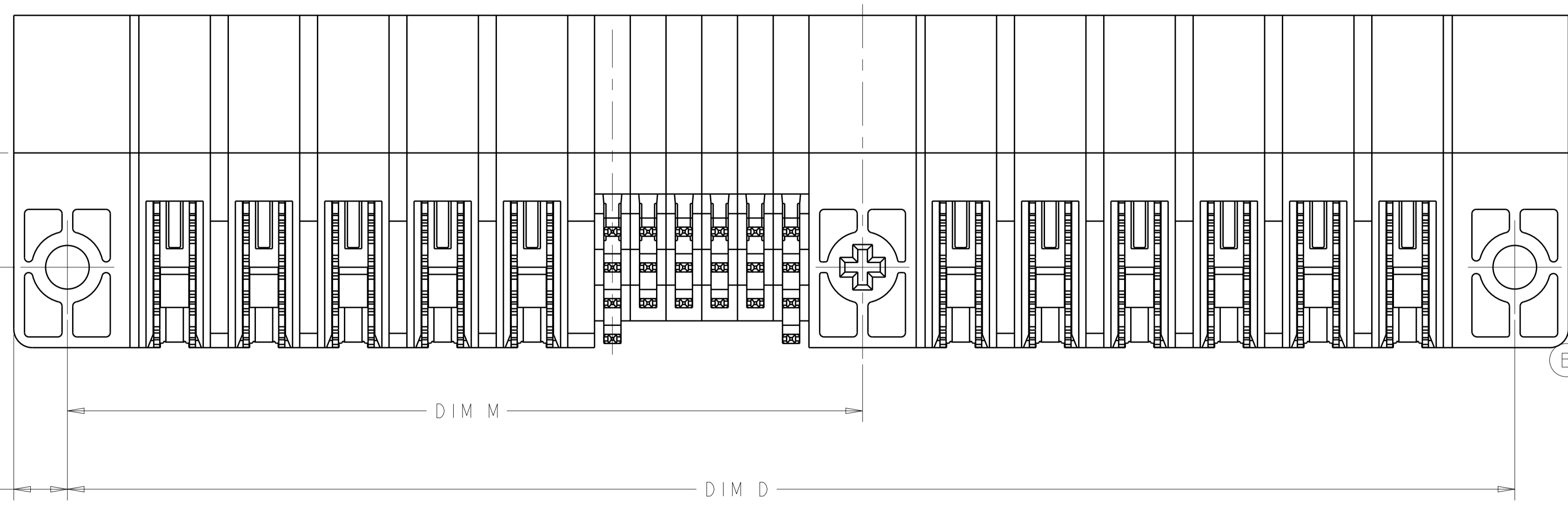
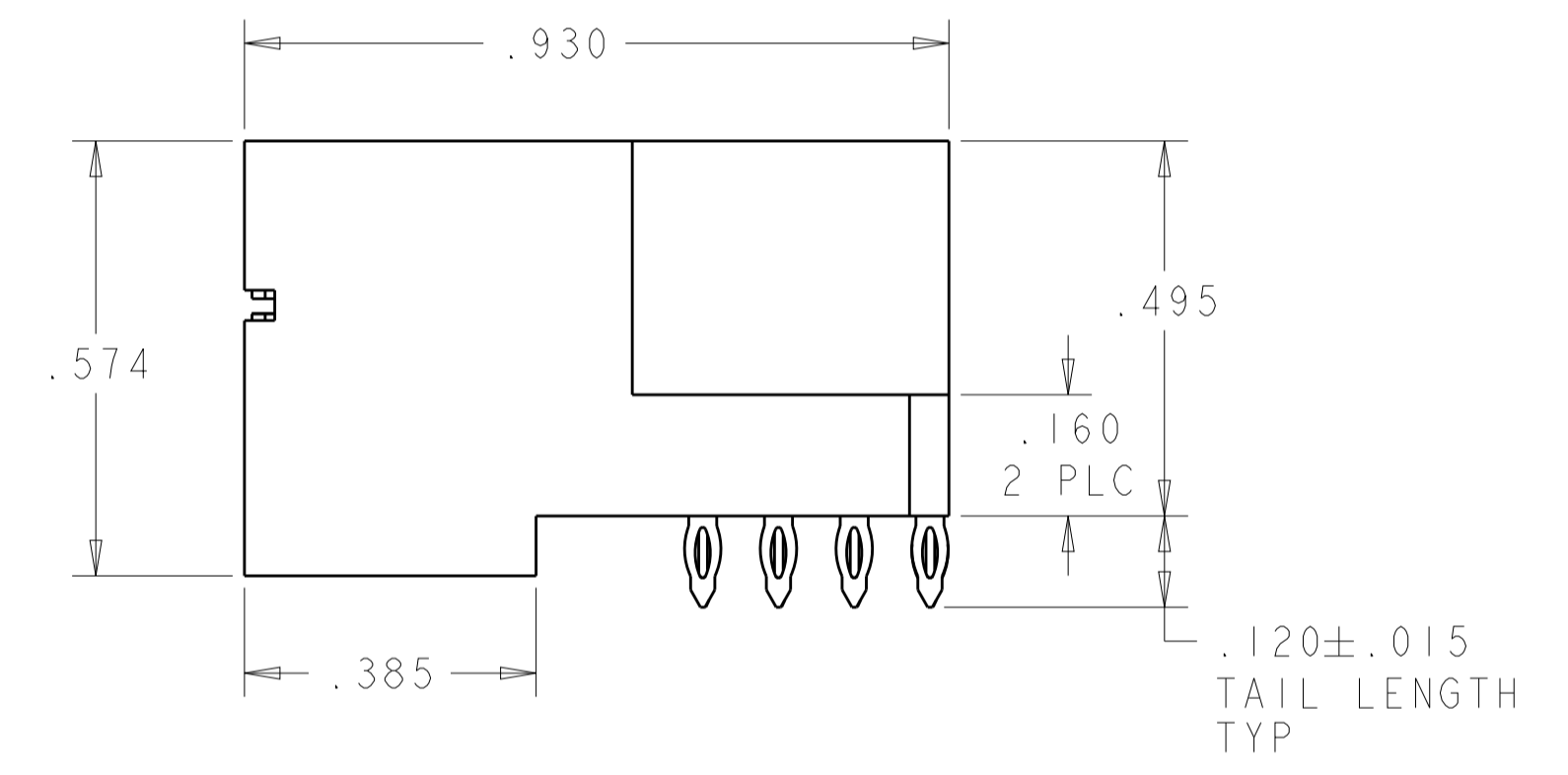
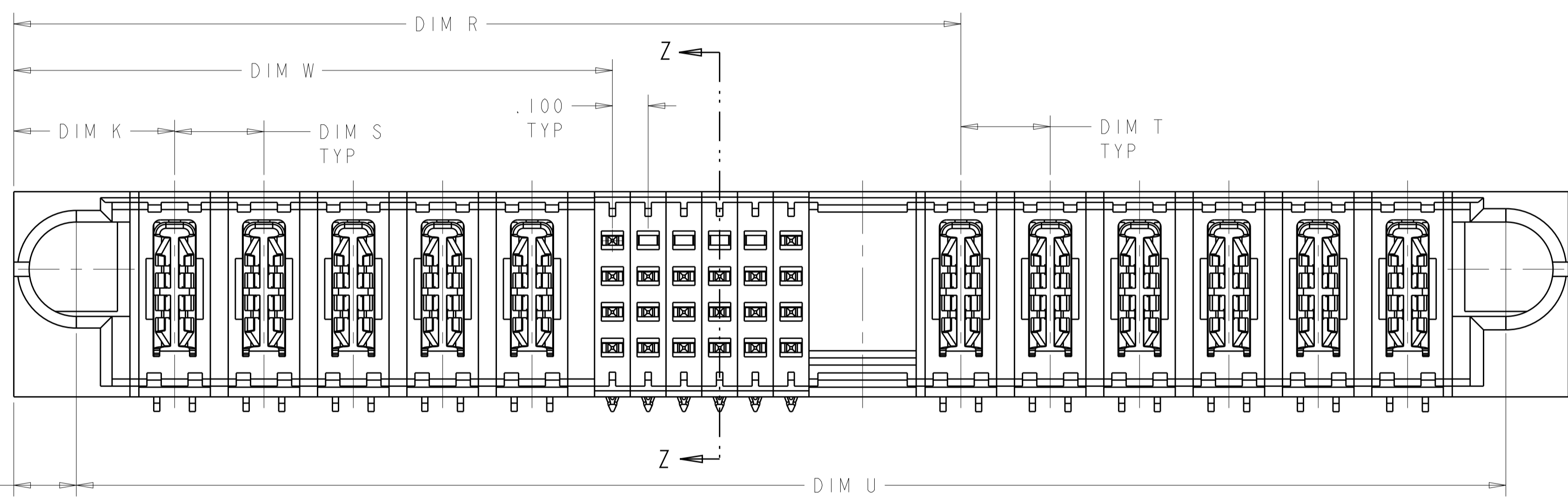


LOC		DIST		REVISIONS			
ES	00	P	LTN	DESCRIPTION	DATE	DWN	APVD
		B1		PER REV ECR-13-004638	20MAR2013	ML	SZ



- 1 PART NUMBER, AND DATE CODE MARKED IN AREA SHOWN. MARKING ON BOTH SIDES PERMITTED FOR PARTS UNDER 2.00 LONG.
- 2 MATERIAL:  
 HOUSING - GLASS FILLED HIGH TEMP THERMO PLASTIC, UL94 V-0  
 SIGNAL CONTACT - COPPER ALLOY  
 POWER CONTACT - HIGH CONDUCTIVITY COPPER ALLOY
- 3 CONTACT PLATING: NOBLE METAL PLATING ON CONTACT FUNCTIONAL AREA OF POWER AND SIGNAL CONTACTS
- 4 MECHANICAL CONNECTOR KEEP OUT ZONE.
- 5 DATUM AND BASIC DIMENSIONS ESTABLISHED BY CUSTOMER.
- 6 PCB - ALL HOLE DIAMETERS ARE FINISHED HOLE SIZES.
- 7 PCB - .0453±.0010 DRILLED HOLES PLATED WITH .0003 MIN Sn OVER .001 TO .003 Cu PLATING TO ACHIEVE A .040 HOLE.



SECTION Z-Z  
SCALE 4:1

1.700	.250	.250	1.350	.875	1.750	-	2.050	.450	2P + 16S + 2P	6450630-3
4.450	.350	.250	2.100	1.425	4.500	-	4.800	.475	3ACP + 24S + 10P	6450630-2
4.000	.250	.250	2.650	1.675	4.050	2.225	4.350	.450	5P + 24S + 1M + 6P	6450630-1
U	S	T	R	W	D	M	L	K	DESCRIPTION	PART NUMBER

DIMENSIONS: INCHES 		TOLERANCES UNLESS OTHERWISE SPECIFIED: 0 PLC ±.1 1 PLC ±.01 2 PLC ±.005 3 PLC ±.0020 ANGLES ±.5°		DWN D. ZHU 26APR2007 CHK S. ZHAO 4SEP2006 APVD S. YAO NAME PRODUCT SPEC 108-1973 APPLICATION SPEC 114-13038 WEIGHT CUSTOMER DRAWING		Tyco Electronics Corporation Shanghai, P.R.China, 200233 RIGHT ANGLE HEADER MULTI-BEAM XL W/GUIDES MOUNTING HOLES, PRESS FIT SIZE CAGE CODE DRAWING NO A100779C=6450630 SCALE 4:1 SHEET 1 OF 2 REV B1	
---------------------------	--	---	--	--	--	--	--

