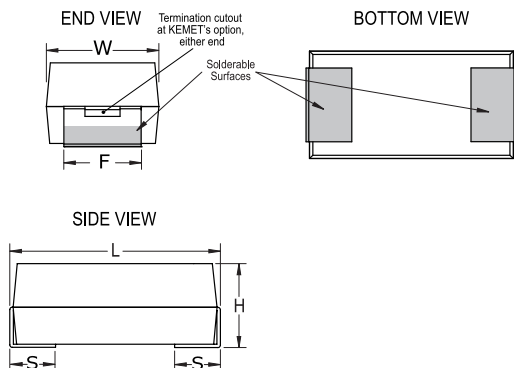


**KEMET Part Number: T493C106K025BH6410**  
(07016-121KBHC)



Tantalum, MnO2 Tantalum, COTS, T493\_DLA, 10 uF, 10%, 25 V, 6032, SMD, MnO2, Molded, DLA Drawing, B (0.1%/1000 Hrs), 500 mOhms, Height Max = 2.8mm



Dimensions	
Footprint	6032
L	6mm +/-0.3mm
W	3.2mm +/-0.3mm
H	2.5mm +/-0.3mm
S	1.3mm +/-0.3mm
F	2.2mm +/-0.1mm

Packaging Specifications	
Weight:	224.2 mg
Packaging:	T&R, 178mm
Packaging Quantity:	500

General Information	
Dielectric:	MnO2 Tantalum
Style:	SMD Chip
Series:	T493_DLA
Description:	SMD, MnO2, Molded, DLA Drawing
RoHS:	No
Termination:	Solder Coated

Specifications	
Capacitance:	10 uF
Capacitance Tolerance:	10%
Voltage DC:	25 VDC (85C), 16.75 V (125C)
Temperature Range:	-55/+125C
Dissipation Factor:	6% 120Hz 25C
Failure Rate:	B (0.1%/1000 Hrs)
Resistance:	0.5 Ohms (100kHz 25C)
Leakage:	2.5 uAmps (5min 25C)
Testing and Reliability:	10 Cycles Surge Current Testing At -55C And +85C Before Weibull

Statements of suitability for certain applications are based on our knowledge of typical operating conditions for such applications, but are not intended to constitute - and we specifically disclaim - any warranty concerning suitability for a specific customer application or use. This Information is intended for use only by customers who have the requisite experience and capability to determine the correct products for their application. Any technical advice inferred from this Information or otherwise provided by us with reference to the use of our products is given gratis, and we assume no obligation or liability for the advice given or results obtained.

