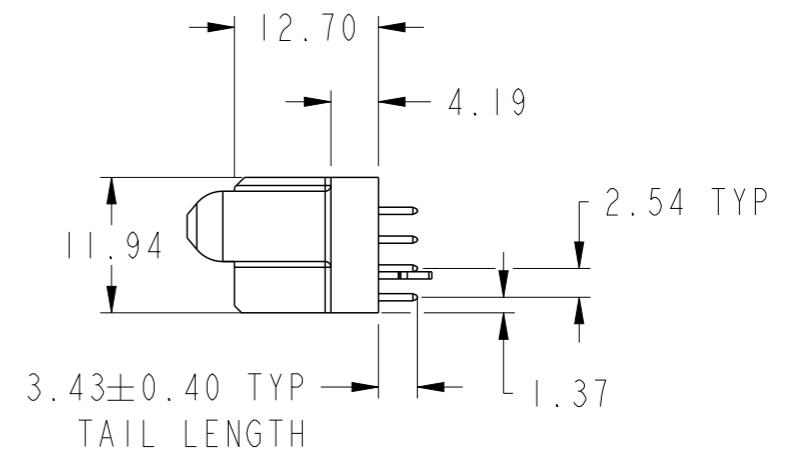
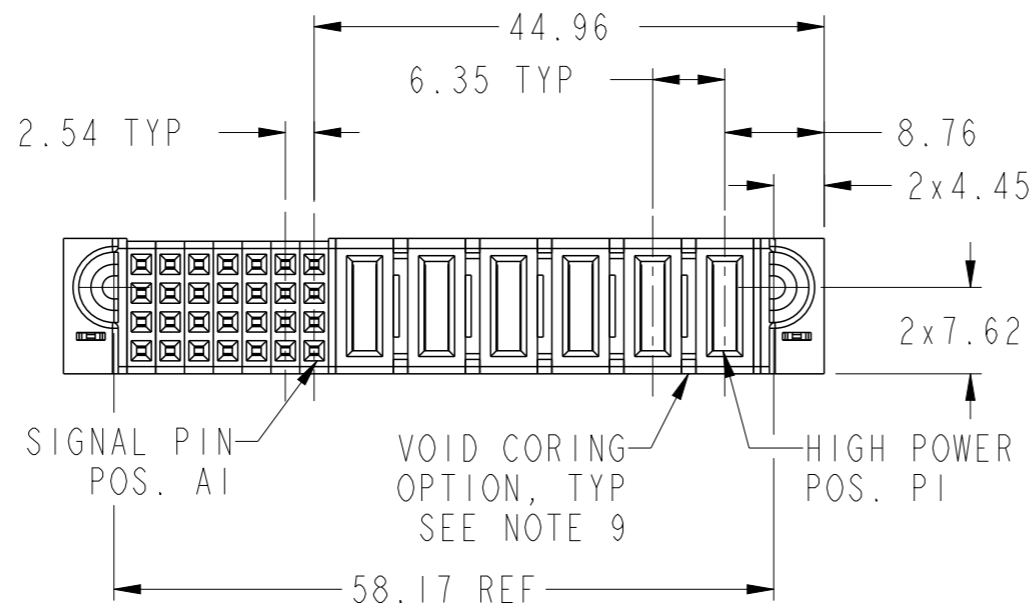
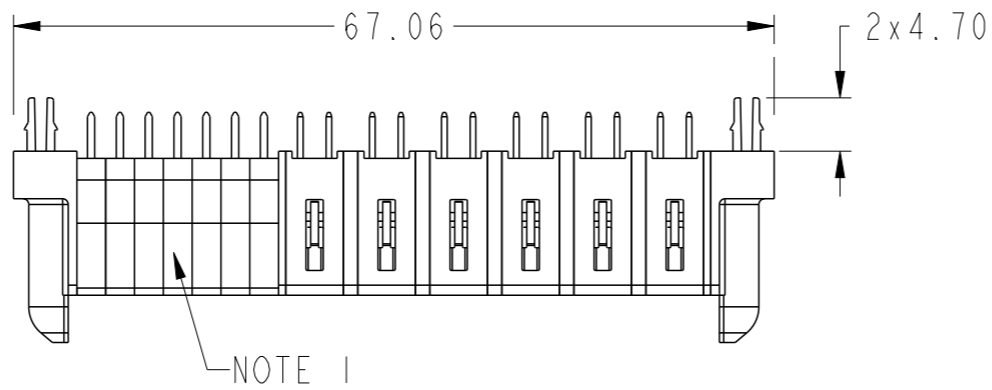
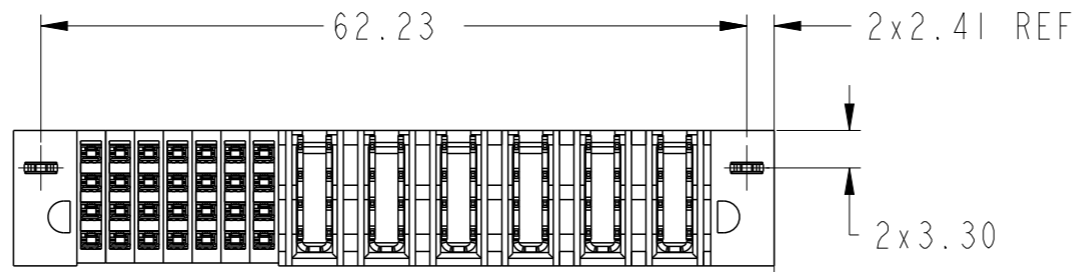


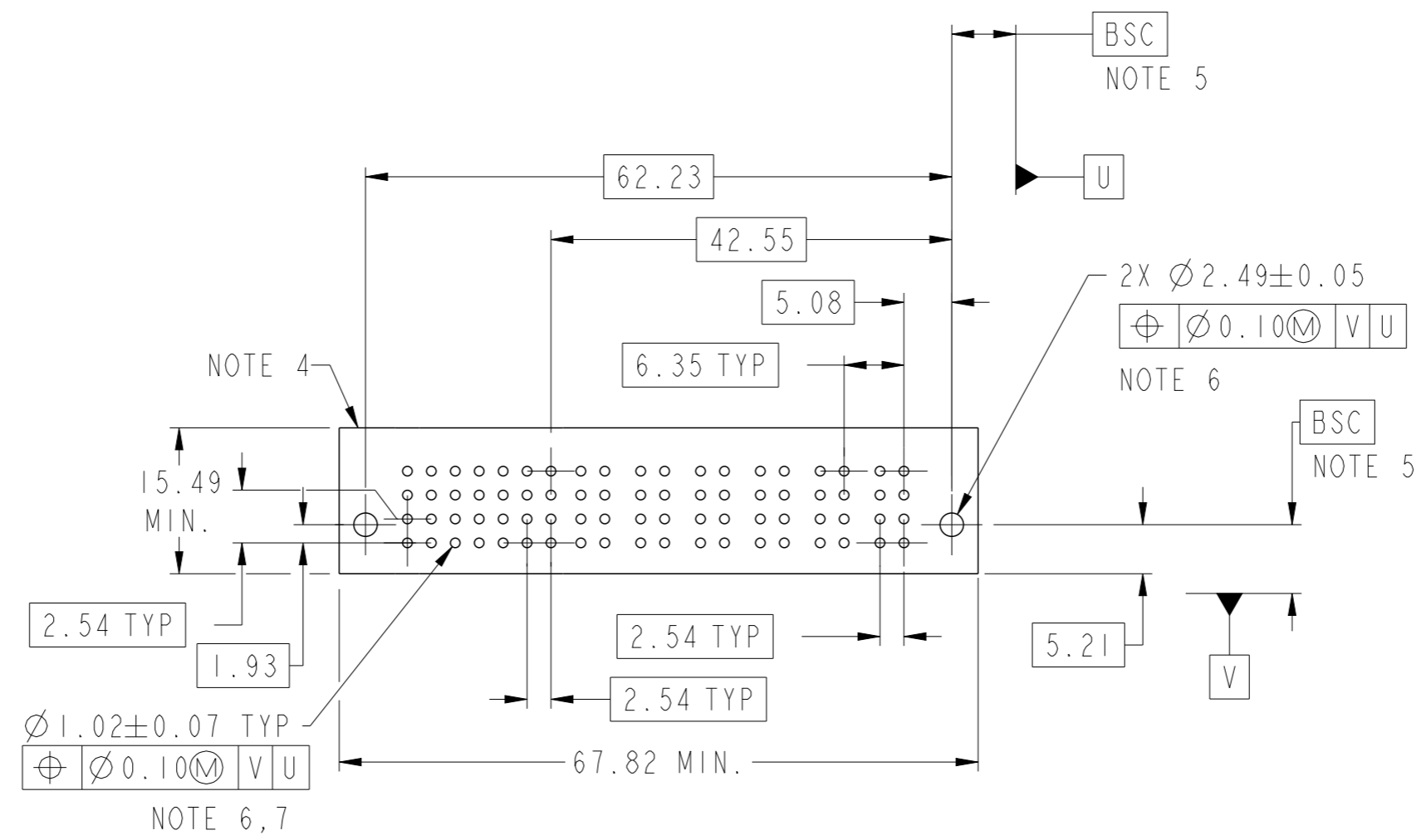
PRODUCT NUMBER SEE SHEET 2



spec ref		dr	Rainbow Zhan	2014/07/08	projection	MM	size	A3	scale	3:2
tolerance std ASME Y14.5		TOLERANCES UNLESS OTHERWISE SPECIFIED			eng	Rainbow Zhan	2014/08/04	ecn no		
		chr	Li-He	2014/07/31	product family		PowerBlade+	rel level		
		appr	Pei-Ming Zheng	2014/08/04				Released		
surface	✓	linear	0.X	±0.50	www.fci.com	6HP + 28S VT STB RECEPTACLE	cat. no.	Product - Customer Drw	sheet 1 of 3	rev
			0.XX	±0.25						
			0.XXX	±0.10						
ASME Y14.5		angular	0°	±2°						A

PRODUCT NO.	ROWS	SIGNAL							HIGH POWER							
		E1	7	6	5	4	3	2	1	P6	P5	P4	P3	P2	P1	E2
10106130-6007001LF	D C B A		E	E	E	E	E	E	E	H6	H6	H6	H3	H3	H3	

CODE	DESCRIPTION
E	STD SIGNAL CONTACT
H3	STD HIGH POWER CONTACT (3.43)
H6	MFBL HIGH POWER CONTACT (3.43)
HA	METAL HOLD DOWN



Copyright FCI.

dr	Rainbow Zhan	2014/07/08	projection	MM	size	A3	scale	3:2			
eng	Rainbow Zhan	2014/08/04		← →	ecn no	-	rel level	Released			
chr	Li-He	2014/07/31									
appr	Pei-Ming Zheng	2014/08/04	product family	PowerBlade+							
			title		6HP + 28S		dwg no		10106130-6007001	rev	A
www.fci.com			cat. no.		Product - Customer Drw		sheet 2 of 3				

A

B

C

D

A

B

C

D

NOTES:

- 1) "FCI", PART NUMBER AND DATE CODE TO BE MARKED ON THIS SURFACE.  
THE MARK CAN BE OMITTED IF THERE IS NOT ENOUGH SPACE ON THIS SURFACE.
- 2) MATERIALS:  
-HOUSING - GLASS FILLED WITH HIGH TEMP THERMOPLASTIC, UL94V-0.  
-SIGNAL CONTACT - COPPER ALLOY.  
-POWER CONTACT - HIGH CONDUCTIVITY COPPER ALLOY.
- 3) PLATING SPECIFICATION REFER TO FCI 10116351
- 4) DENOTES CONNECTOR KEEP OUT ZONE.
- 5) DATUM AND BASIC DIMENSIONS WERE ESTABLISHED BY CUSTOMER.
- 6) ALL HOLE DIAMETERS ARE FINISHED HOLE SIZES.
- 7) 1.15 ± 0.025MM DRILLED HOLE PLATED WITH 0.00762MM MIN Sn  
OVER 0.0254-0.0762MM Cu PLATING TO ACHIEVE A 1.02 ± 0.07MM HOLE.
- 8) PRODUCT SPECIFICATION REFER TO FCI GS-12-658.  
APPLICATION SPECIFICATION REFER TO FCI GS-20-141.  
PRODUCT PACKAGED IN TRAYS, REFER TO FCI GS-14-1502.
- 9) THE VOID CORING IN BETWEEN POWER MODULES, SIGNAL  
MODULES AND END MODULES ARE OPTIONAL AND THE SHAPE  
MAY BE DIFFERENT FOR OPTIMIZE THE MOLDING PROCESS. THE  
VOID CORING WILL NOT EFFECT TO PRODUCT FUNCTION.



Copyright FCI.

dr	Rainbow Zhan	2014/07/08	projection 	MM ←→	size	A3	scale	1:1	
eng	Rainbow Zhan	2014/08/04			ecn no	-			
chr	Li-He	2014/07/31			rel level	Released			
appr	Pei-Ming Zheng	2014/08/04	product family	PowerBlade+					
		6HP + 28S			dwg no	10106130-6007001		rev	A
www.fci.com		cat. no.	Product - Customer Drw		sheet 3 of 3				