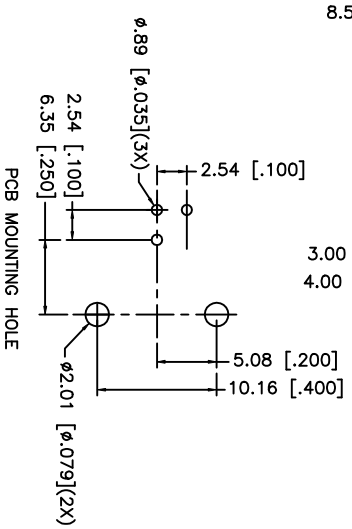
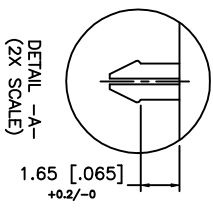
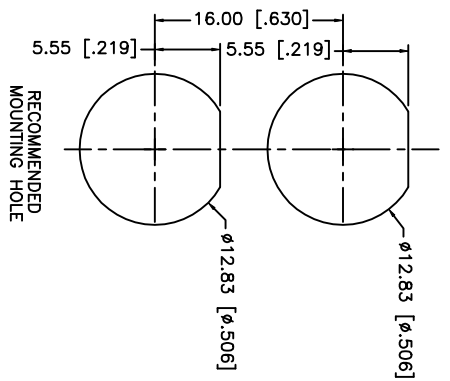
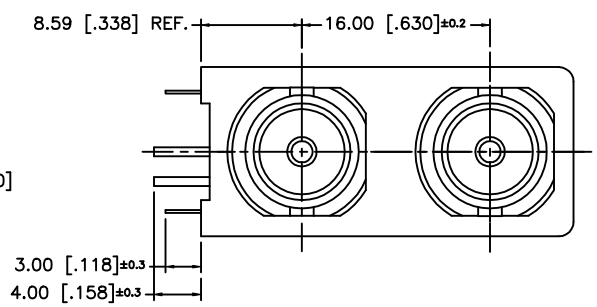
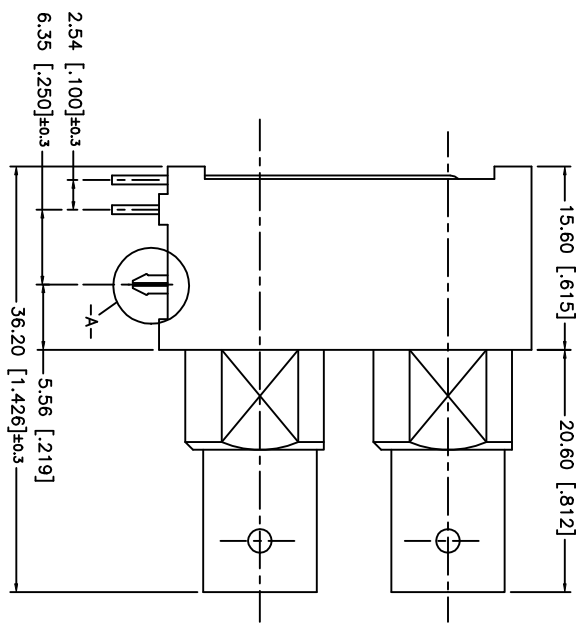
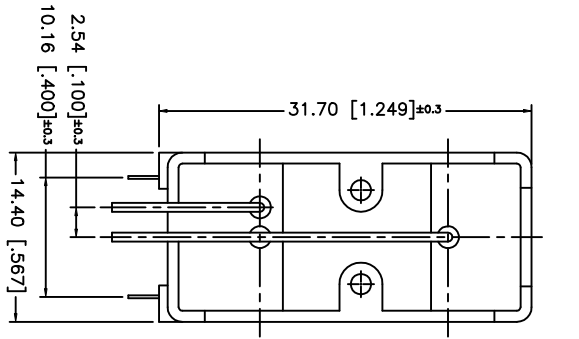


REV.	DATE	DESCRIPTION
NC	04/11/02	INITIAL RELEASE



8			
7			
6	MNTING POST	BRASS	BRT. TIN
5	POST	COPPER	BRT. TIN
4	CONTACT PIN	BER. COPPER	GOLD FLSH.
3	CONTACT PIN	BER. COPPER	GOLD FLSH.
2	INSULATOR	POLY PRO	NATURAL
1	BODY	ZINC DIE CAST	NICKEL
	DESCRIPTION	MATERIAL	FINISH

UNLESS OTHERWISE SPECIFIED DIMENSIONS ARE IN MILLIMETERS
 DIMENSIONS IN [] ARE IN INCHES FOR CUSTOMER REFERENCE ONLY
 UNLESS OTHERWISE SPECIFIED TOLERANCES FOR INCHES ARE:
 .XXX = ± 0.005"
 .XX = ± 0.010"
 X = ± 0.020"

APPROVALS		DATE
DRAWN	G.R.S.	04/11/02
CHECKED		
ISSUED		

Amphenol - Connex
 CONNECTOR CORPORATION

DUAL PORT BNC PCB MOUNT
 RECEPTACLE HOOK - DIE CAST 50ohm

SIZE	FSQM NO.	DWG. NO.	REV.
A	99001	112706.DWG	NC
SCALE	PART NO.	SHEET	
NA	112706	1 OF 1	