

## DETAILS

<b>Product Number</b>	F15684_FLORENCE-1R-GC-Z60
<b>Family</b>	Florence
<b>Type</b>	Lens
<b>Color</b>	clear
<b>Diameter</b>	19 x 282,6 mm
<b>Height</b>	7,66 mm
<b>Style</b>	rectang
<b>Optic Material</b>	PMMA
<b>Holder Material</b>	
<b>Fastening</b>	screw
<b>Status</b>	production ready
<b>ROHS Compliant</b>	Yes
<b>Date Updated</b>	22/03/2017

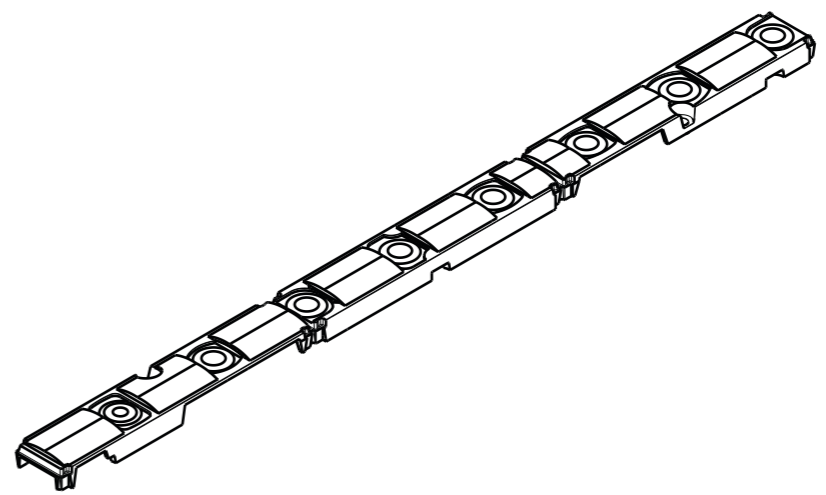
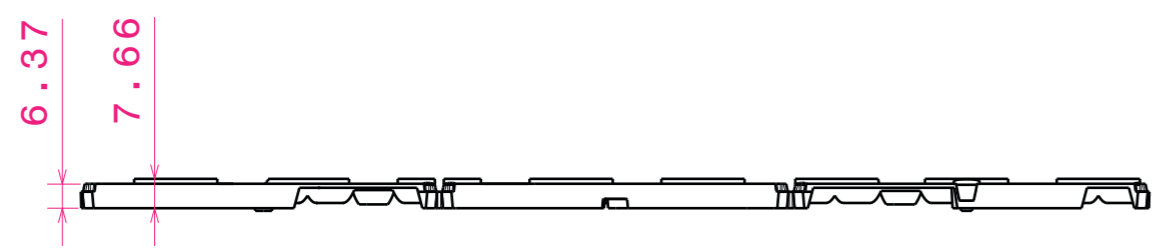


## OPTICAL PROPERTIES

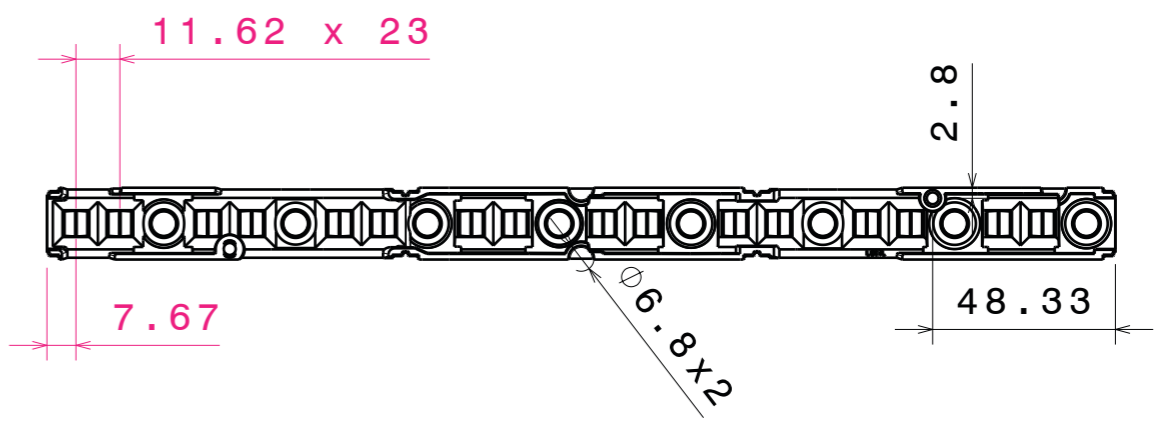
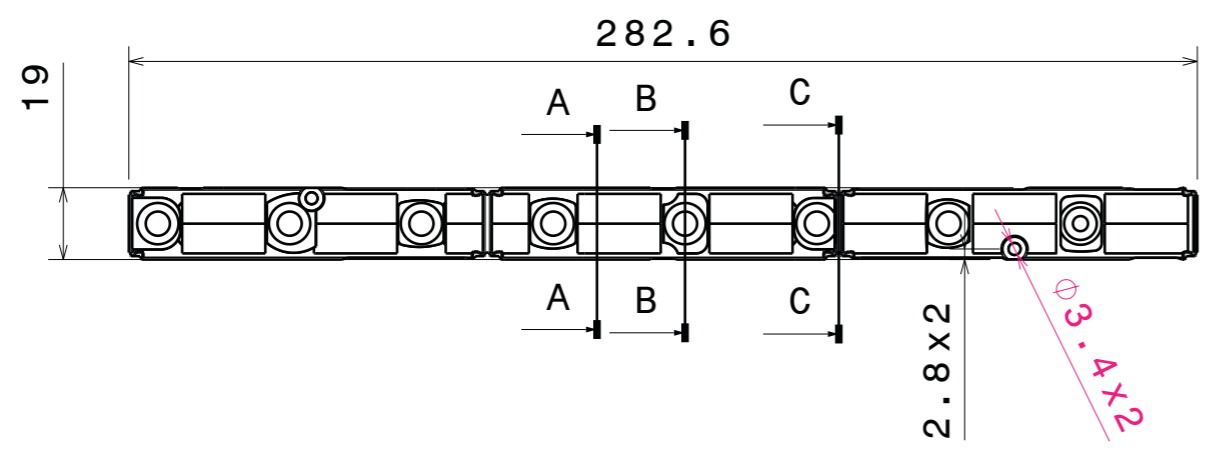
LED	Viewing Angle	Light Beam	Efficiency	cd/lm	Connector
Duris E 2835	sim: 64	WWW-class	sim: 94 %	sim: 0.710	-
LT-S282N	70 deg	WWW-class	94 %	0.720	-

H G F E D C B A

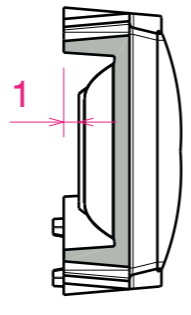
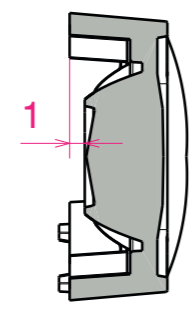
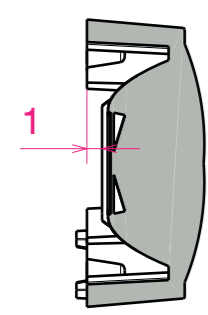
4



4



3



Section view A-A  
Scale: 2:1

Section view B-B  
Scale: 2:1

Section view C-C  
Scale: 2:1

NOTE: Maximum recommended tightening torque is 0.6Nm

INDEX	PART NO	DESCRIPTION	MATERIAL	COLOUR
1	F15684	FLORENCE-1R-GC-Z60	PMMA 8N	

Tolerances if not otherwise shown  
According to DIN ISO 2768-1  
Linear measures:  
Up to 30mm class F, otherwise class M.  
According to DIN ISO 2768-2  
Form and position: class K  
Control for SPC marked dimensions.

**LEDiL** LediL Oy  
Salorankatu 10  
FIN 24240 SALO  
Finland

THIRD ANGLE PROJECTION:

DRAWING TITLE  
**F15684\_FLORENCE-1R-GC-Z60**

This drawing is the property of LEDiL Oy. It may not be reproduced, copied or communicated without a written agreement with LEDiL Oy.

SIZE	PART NUMBER
<b>A3</b>	<b>F15684</b>

SCALE	1:1	WEIGHT	-	SHEET	1/2
-------	-----	--------	---	-------	-----

2

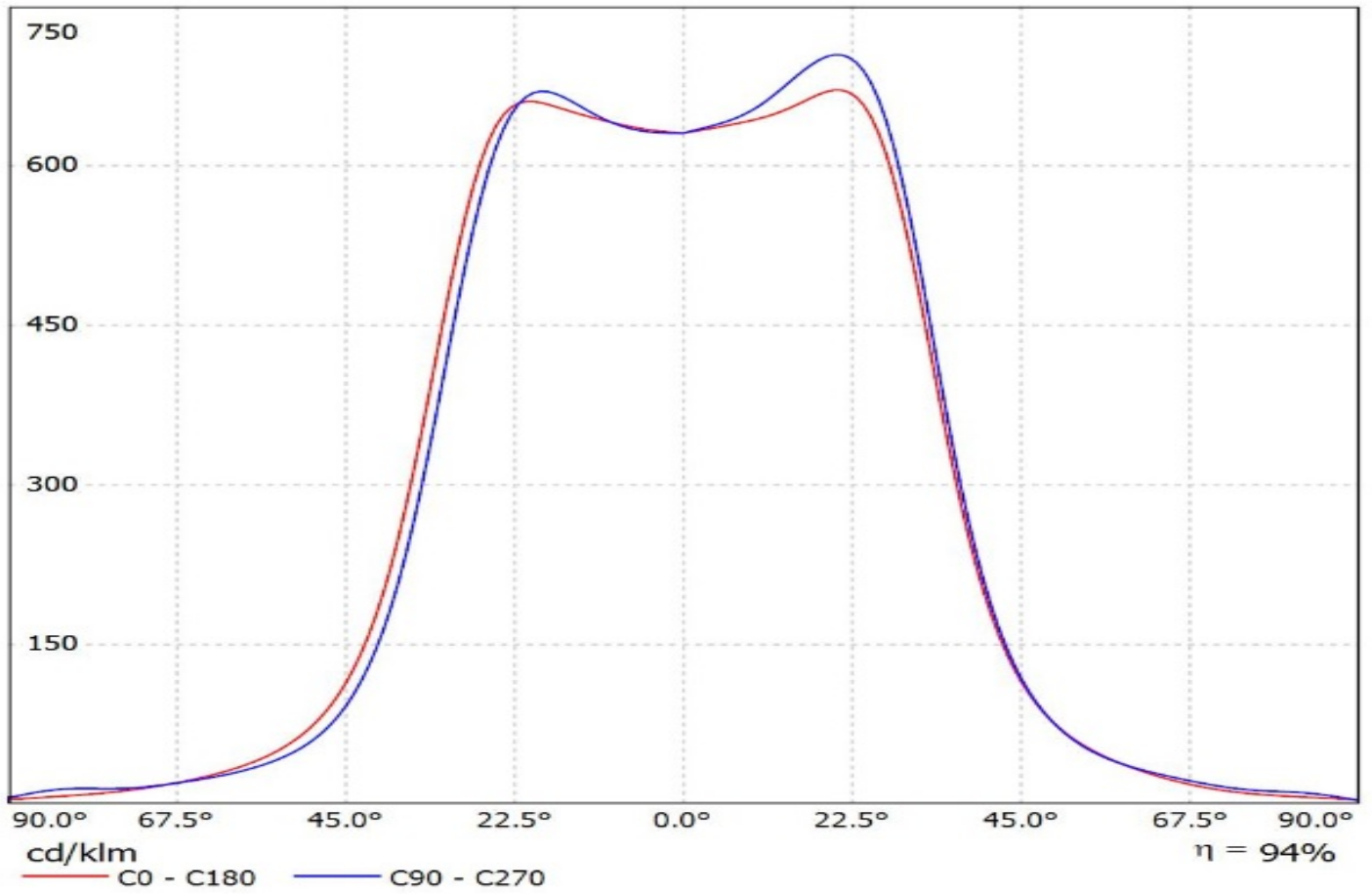
2

1

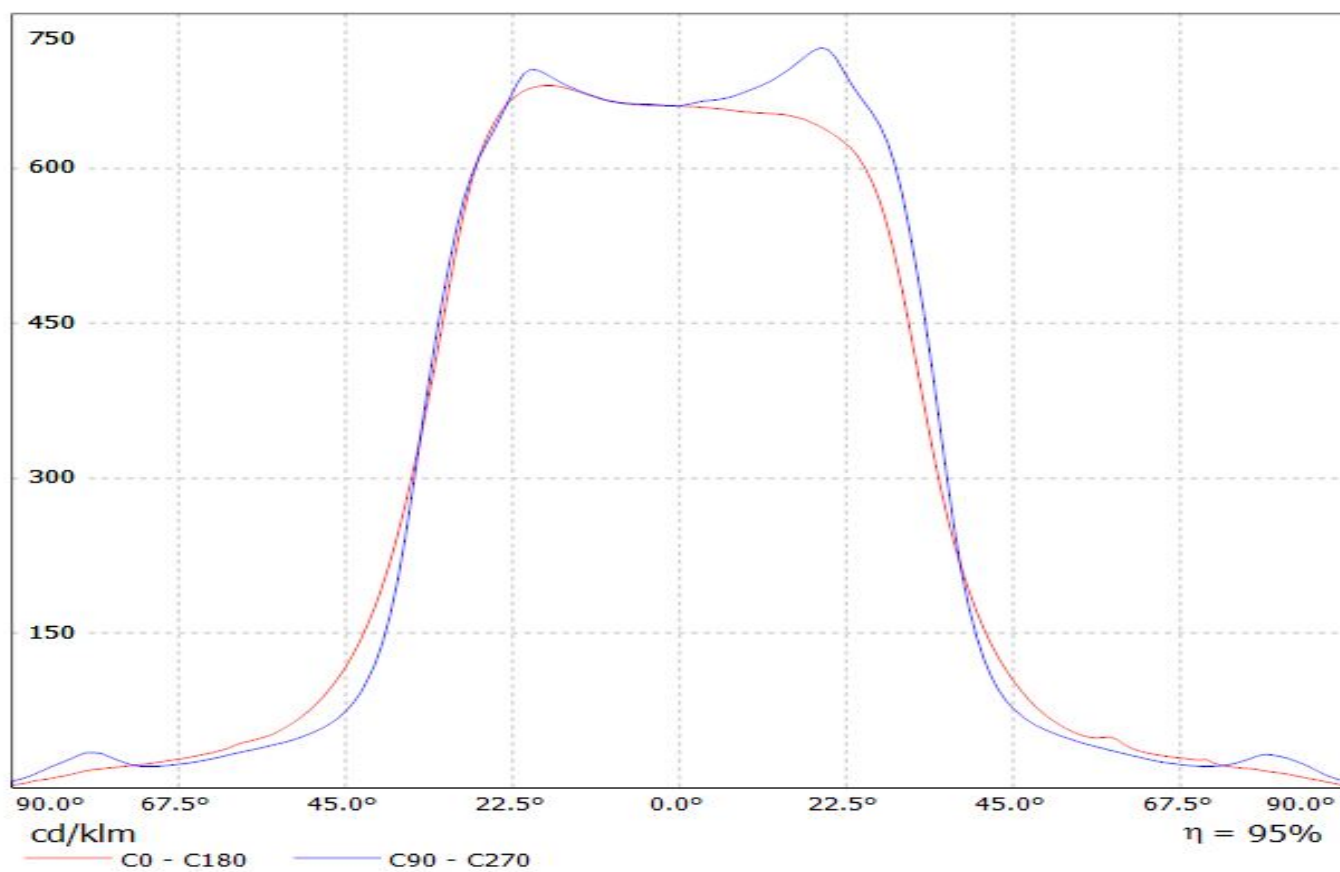
1

H G F E D C B A

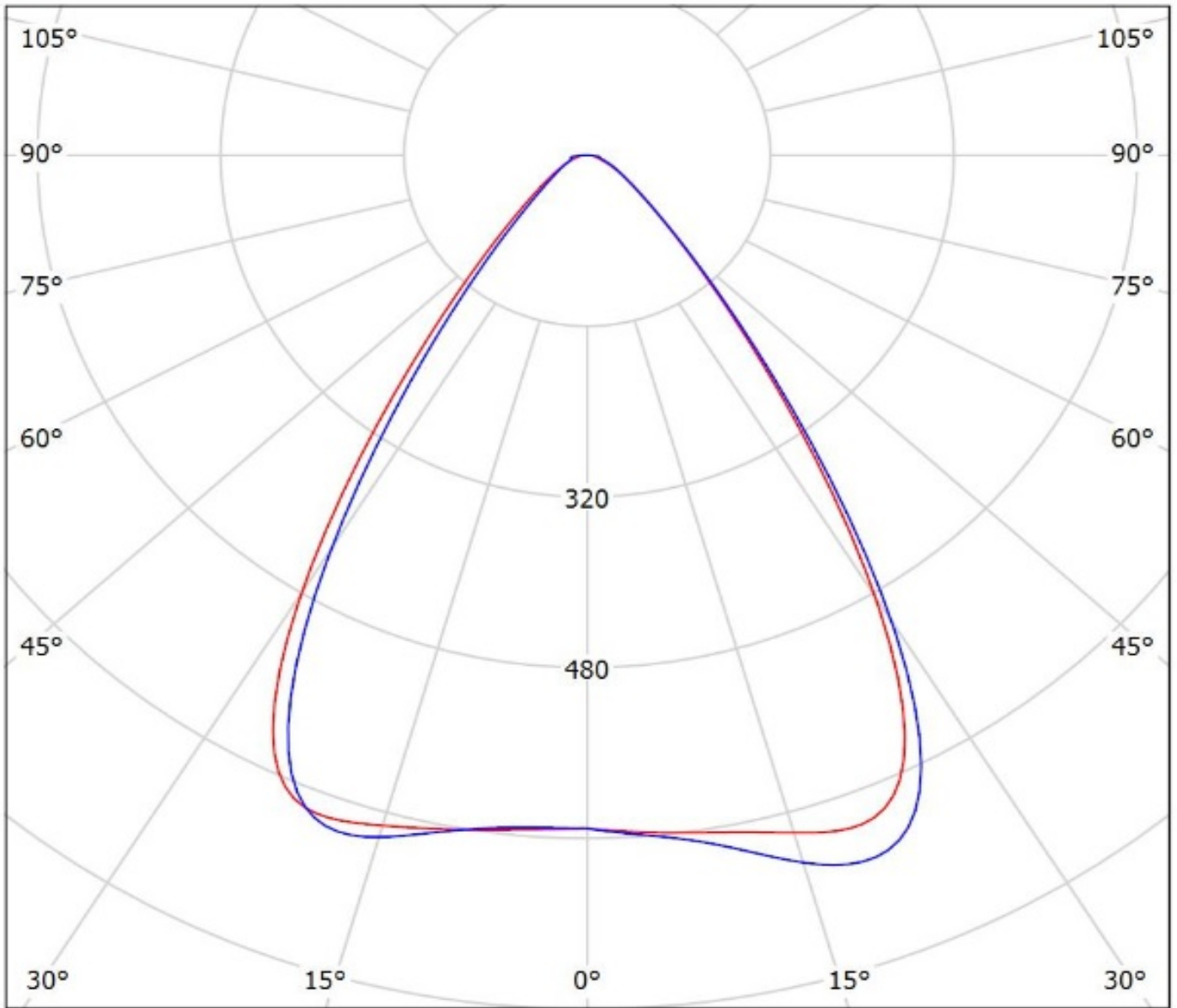
Luminaire: Ledil Oy F15684\_FLORENCE-1R-GC-Z60\_(Duris\_E\_2835)\_SIMULATED  
Lamps: 1 x Osram Duris E 2835 - GW JTLRS1.EM



Luminaire: LEDiL Oy F15684\_FLORENCE-1R-GC-Z60\_(LT-S282N)  
Lamps: 1 x Samsung\_LT-S282N\_1373.42lm@250mA\_P=9.13843W\_I=0.25A



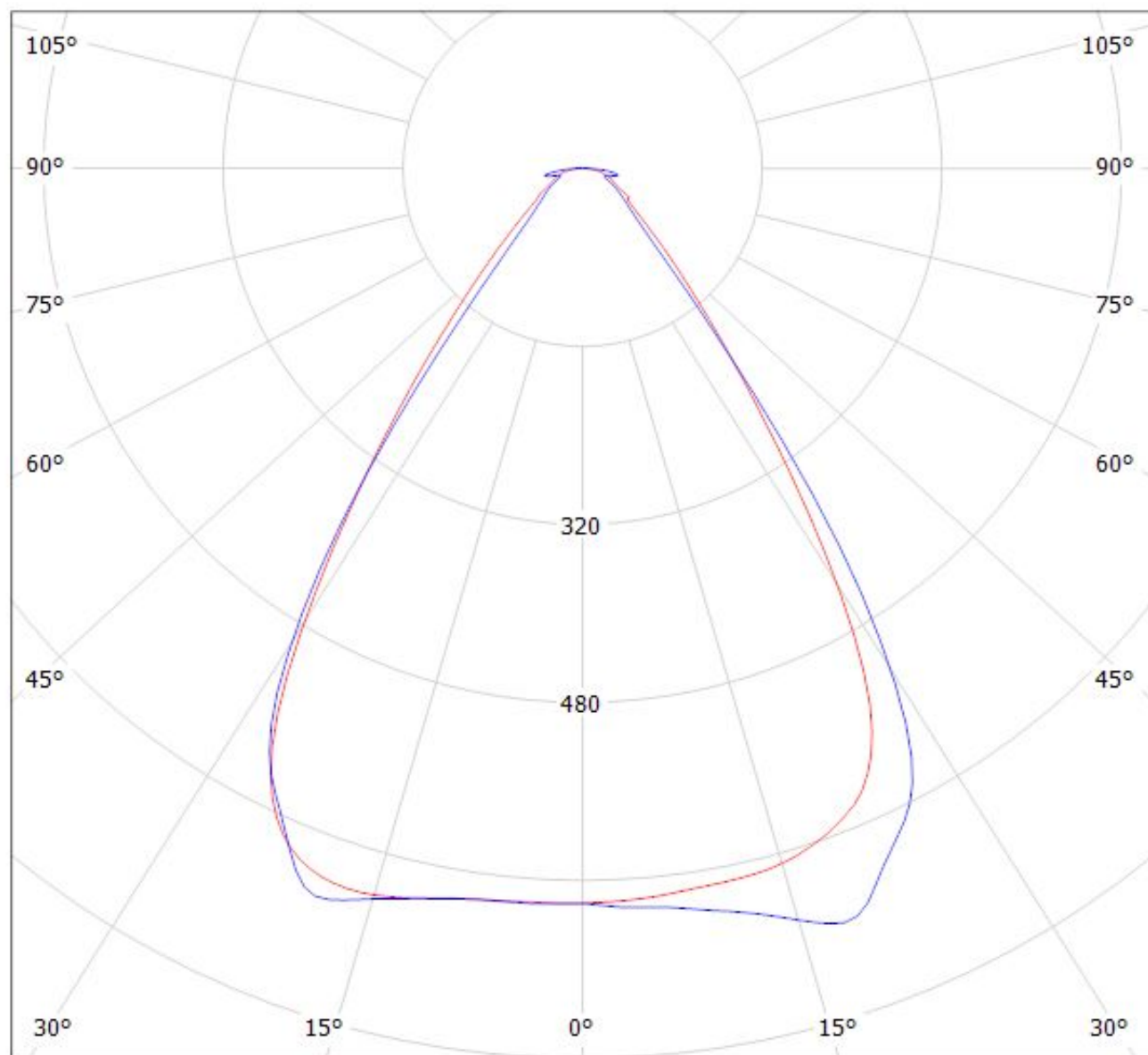
Luminaire: Ledil Oy F15684\_FLORENCE-1R-GC-Z60\_(Duris\_E\_2835)\_SIMULATED  
Lamps: 1 x Osram Duris E 2835 - GW JTLRS1.EM



cd/klm  
— C0 - C180 — C90 - C270

$\eta = 94\%$

Luminaire: LEDiL Oy F15684\_FLORENCE-1R-GC-Z60\_(LT-S282N)  
Lamps: 1 x Samsung\_LT-S282N\_1373.42lm@250mA\_P=9.13843W\_I=0.25A



cd/klm

— C0 - C180

— C90 - C270

$\eta = 95\%$

**NOTE: The typical divergence will be changed by different color, chip size and chip position tolerance. The typical total divergence is the full angle measured where the luminous intensity is half of the peak value.**