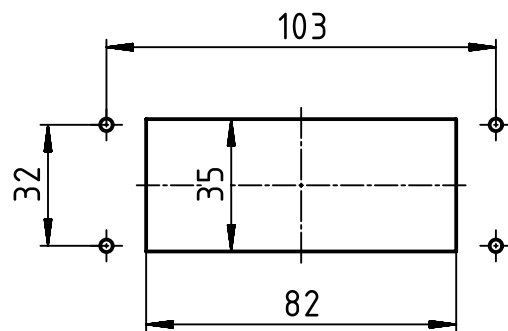



(1:2) panel cut out



	All rights reserved Department EL PD - DE	All Dimensions in mm Original Size DIN A4		Scale 1:1	Free size tol.	Ref. Sub.
		Created by PRIESTER	Inspected by SCHNIEDER	Standardisation SCHMIDTM	Date 2014-03-25	State Final Release
HARTING Electric GmbH & Co. KG D-32339 Espelkamp		Title Han 16B-HMB for Central Lever			Doc-Key / ECM-Nr. 100195687/UGD/004/A 500000071435	
		Type TB	Number 09 30 016 0381		Rev. A	Page 1/1