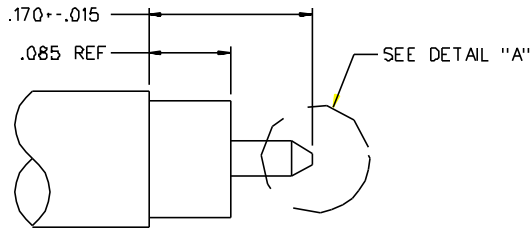
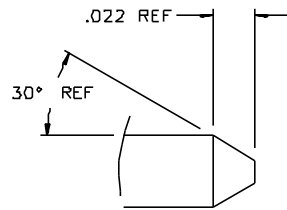
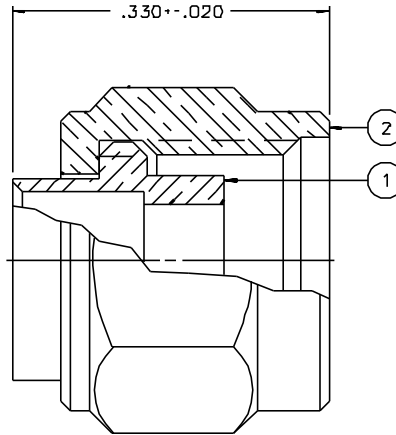


PART NUMBER	ITEM ① BODY	ITEM ② COUPLING NUT
142-0694-021	BRASS GOLD PL .00001 MIN OVER NICKEL PL .00005 MIN OVER COPPER PL .00005 MIN	BRASS GOLD PL .00001 MIN OVER NICKEL PL .00005 MIN OVER COPPER PL .00005 MIN
142-0694-026	BRASS NICKEL PL .0001 MIN OVER COPPER PL .00005 MIN	BRASS NICKEL PL .0001 MIN OVER COPPER PL .00005 MIN



CABLE STRIP DIMENSIONS



DETAIL "A"

20:1

NOTES:

1. SPECIFICATIONS:

IMPEDANCE: 50 OHMS  
 FREQUENCY RANGE: 0-18.0 GHZ  
 VSWR: 1.035-.05F MAX (F IN GHZ)  
 WORKING VOLTAGE: 335 VRMS MAX AT SEA LEVEL  
 DIELECTRIC WITHSTANDING VOLTAGE: NOT APPLICABLE  
 INSULATION RESISTANCE: NOT APPLICABLE  
 CONTACT RESISTANCE:  
 CENTER CONTACT - INITIAL NOT APPLICABLE, AFTER ENVIRONMENTAL NOT APPLICABLE  
 OUTER CONDUCTOR - INITIAL 2.0 MILLIOHM MAX AFTER ENVIRONMENTAL NOT APPLICABLE  
 BODY TO CABLE - 0.5 MILLIOHM MAX  
 CORONA LEVEL: 250 VOLTS MIN AT 70,000 FEET  
 INSERTION LOSS: .03√F MAX (F IN GHZ) AT 15.5 TO 18 GHZ  
 RF LEAKAGE: -60 DB MIN AT 2 TO 3 GHZ  
 RF HIGH POTENTIAL WITHSTANDING VOLTAGE: 670 VRMS MIN AT 5 TO 7.5 MHZ

MECHANICAL:

ENGAGE/DISENGAGE TORQUE: 2 INCH-POUNDS MAX  
 MATING TORQUE: 7-10 INCH-POUNDS  
 COUPLING PROOF TORQUE: 15 INCH-POUNDS MIN  
 COUPLING NUT RETENTION: 6D LBS MIN  
 CONTACT RETENTION: NOT APPLICABLE  
 CABLE ACCEPTABILITY: RG 402 DIA .141 SEMIRIGID  
 CABLE HEX CRIMP SIZE: NOT APPLICABLE  
 CABLE RETENTION: 6D LBS MIN AXIAL FORCE  
 DURABILITY: 100 CYCLES MIN  
 55 INCH-OUNCE MIN TORQUE

ENVIRONMENTAL:

(MEETS OR EXCEEDS THE APPLICABLE PARAGRAPH OF MIL-C-39012)  
 THERMAL SHOCK: MIL-STD-202, METHOD 107, CONDITION B, EXCEPT 115 DEG C HIGH TEMP  
 OPERATING TEMPERATURE: -65 DEG C TO 165 DEG C  
 CORROSION: MIL-STD-202, METHOD 101, CONDITION B  
 SHOCK: MIL-STD-202, METHOD 213, CONDITION I  
 VIBRATION: MIL-STD-202, METHOD 204, CONDITION D  
 MOISTURE RESISTANCE: MIL-STD-202, METHOD 106


DRAWING NO.	
C - 142-0694-021/030	
0	REVISIONS
ENGINEERING RELEASE	
01 11-22-88	E J R B W 12-1-88 ECO 23721
VERSION UPDATE	
02 2-27-89	E J R B W 3-2-89 ECO 23876
CHANGED: 335 VRMS WAS 500 VRMS 250 VOLTS WAS 375 VOLTS, 15.5 TO -90 DB, 670 VRMS WAS 1000 VRMS, 100 CYCLES WAS 500 CYCLES ADDED: EXCEPT 115° C HIGH TEMP DELETED: .221 ± .010	
03 11-18-90	R B W 11-26-90 ECO 24976

CUSTOMER DRAWING

THIS DRAWING TO BE INTERPRETED  
PER ANSI Y 14.5M - 1982

"μSTATION"

COMPANY CONFIDENTIAL

TOLERANCE UNLESS OTHERWISE SPECIFIED	DRAWN BY <b>EJ</b>	DATE 9-14-88	 <small>Cinch Connectivity Solutions 299 Johnson Ave. Ste. 100 Worcester, MA 01605 1-800-247-8256</small>	
DECIMALS .XX	CHECKED BY	DATE	TITLE PLUG ASSEMBLY, STRAIGHT CABLED RETRACTABLE NUT SMA, RG 402	
.XXX	APPROVED BY TAK	DATE 11-28-88	CODE NO.	DRAWING NO. C - 142-0694-021/030
NATL	APPROVED BY RJB	DATE 11-28-88	SCALE 10:1	U/W INCH SHEET 2 OF 2
FINISH	RELEASE DATE	12-1-88		