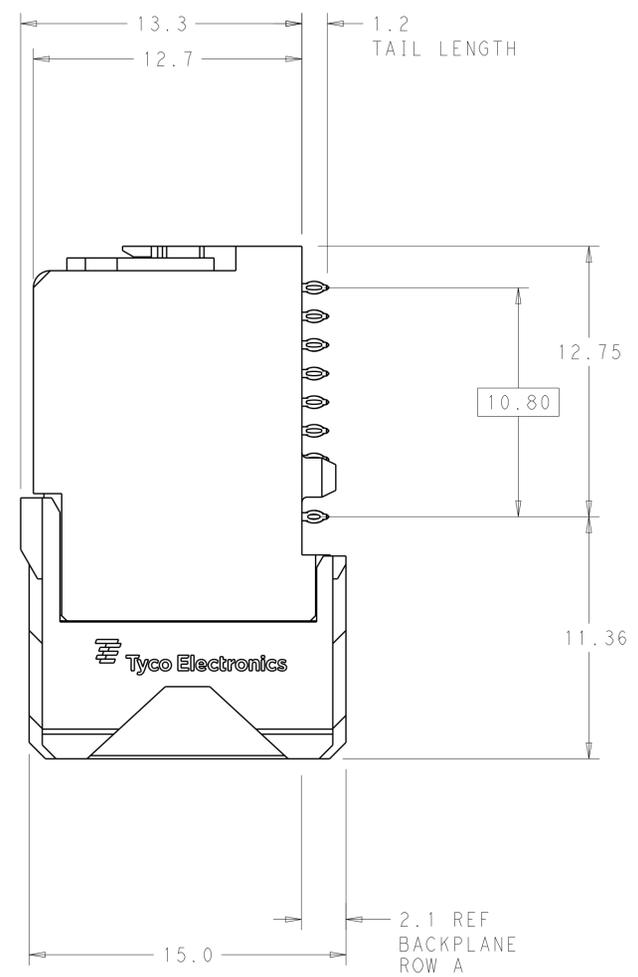
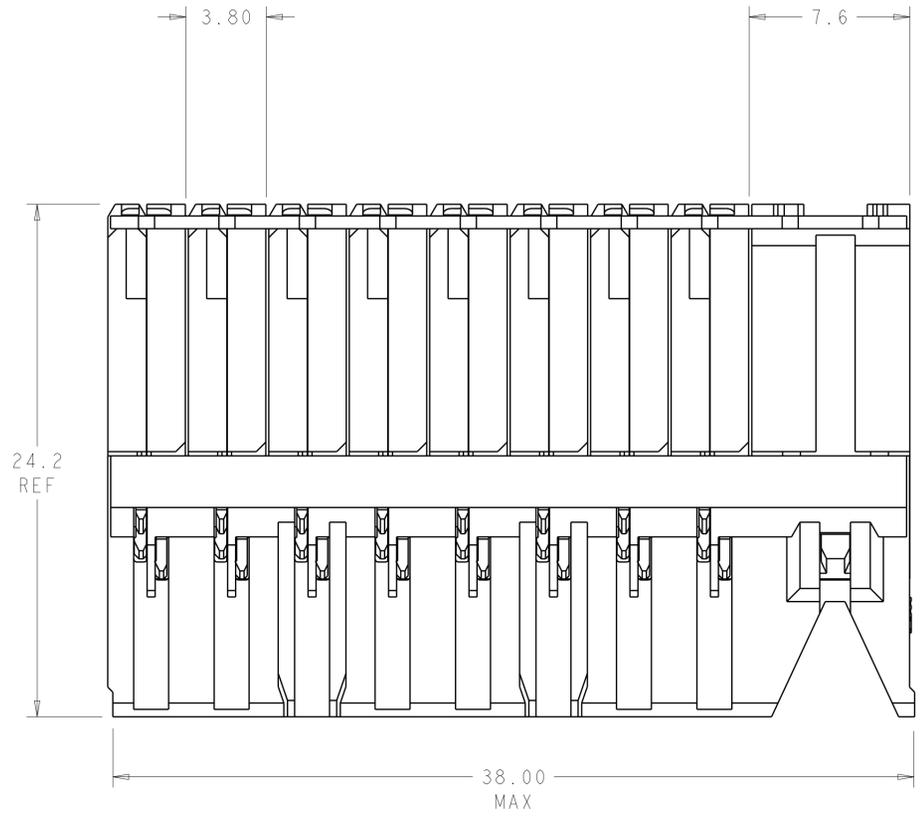
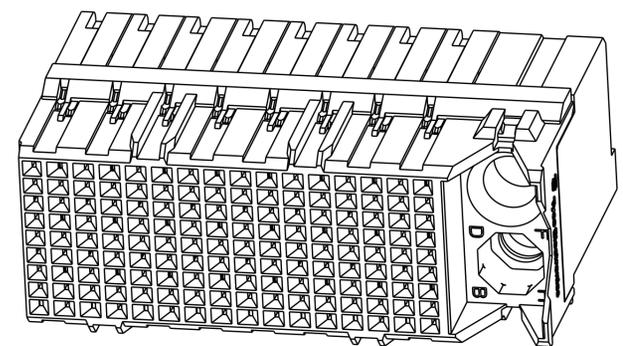


LOC	DIST	REVISIONS			
P	LTN	DESCRIPTION	DATE	OWN	APVD
C1		REVISED PER ECO-14-018035	11MAR2015	AP	DD

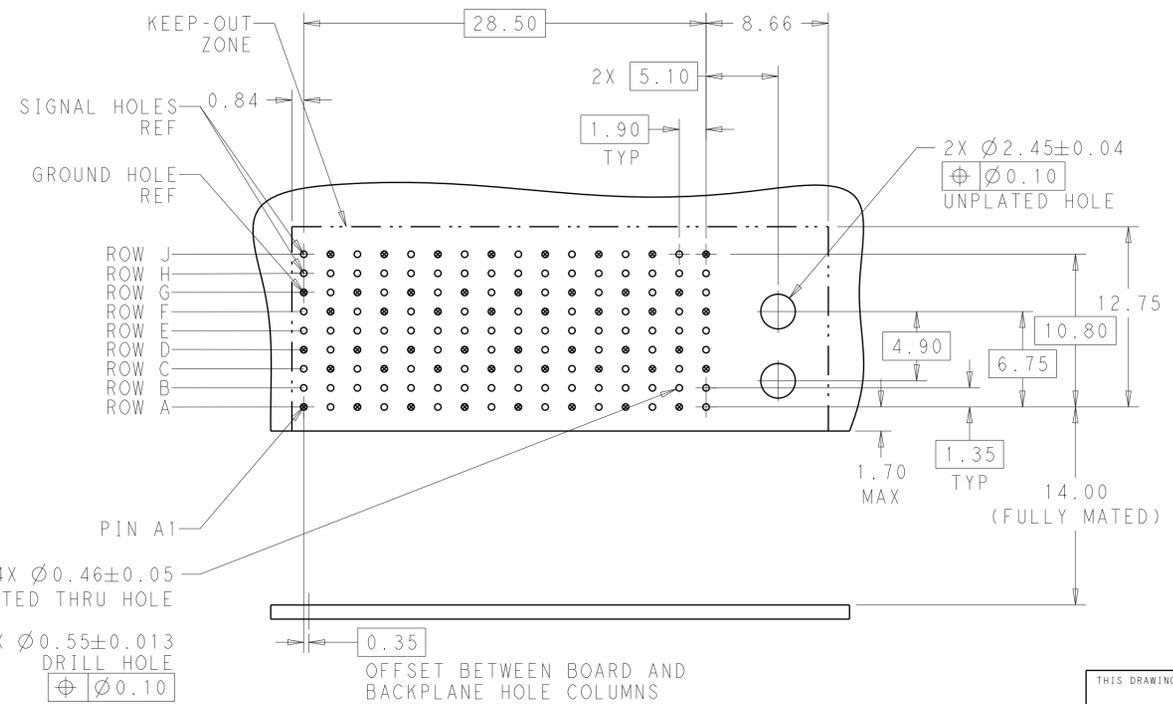
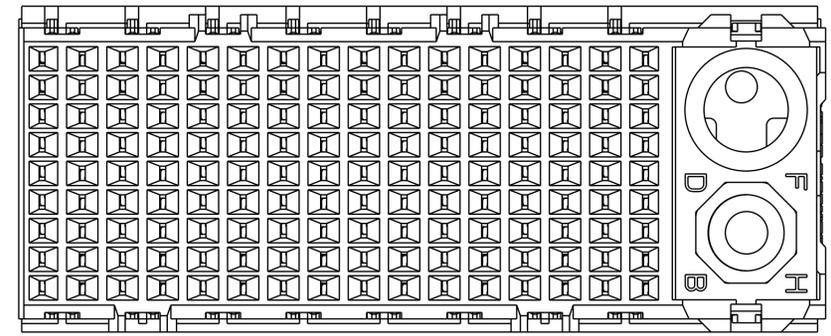


- ⚠ MATERIAL:
HOUSING: LCP, GLASS FILLED, UL94V-0.
TERMINALS: HIGH PERFORMANCE COPPER ALLOY.
- ⚠ FINISH:
30µ" SELECTIVE GOLD IN CONTACT AREA. SELECTIVE TIN ON PCB TAILS, NICKEL OVERALL.
- 3. CONNECTORS SUPPLIED WITH MOUNTING SCREWS



SCALE 4:1

REFER TO WWW.TE.COM FOR PRODUCT AVAILABILITY



KEY POSITION CHART	
	NONE

H	⚠	8-2007707-1
G	⚠	7-2007707-1
F	⚠	6-2007707-1
E	⚠	5-2007707-1
D	⚠	4-2007707-1
C	⚠	3-2007707-1
B	⚠	2-2007707-1
A	⚠	1-2007707-1
NONE	⚠	2007707-1
KEY POSITION	FINISH	PART NUMBER

PIN A1
144X Ø0.46±0.05 PLATED THRU HOLE
144X Ø0.55±0.013 DRILL HOLE
Ø0.10

RECOMMENDED PCB LAYOUT
MIN BOARD THICKNESS 1.0

THIS DRAWING IS A CONTROLLED DOCUMENT.

DIMENSIONS:	TOLERANCES UNLESS OTHERWISE SPECIFIED:	OWN: B. CARBO 05JAN2011	NAME: IMPACT, 3 PAIR, DAUGHTERCARD 16 COLUMN, RIGHT GUIDED, SIGNAL MODULE, 0.46 EYELET
mm	0 PLC ±0.2 1 PLC ±0.13 2 PLC ±0.1 3 PLC ±0.1 4 PLC ±0.1	CHK: D. DIXON 05JAN2011	PRODUCT SPEC
	ANGLES	APVD: D. DIXON 05JAN2011	APPLICATION SPEC
MATERIAL	FINISH	SIZE: A1	RESTRICTED TO
SEE TABLE	SEE TABLE	WEIGHT	Customer Drawing
		SCALE: 6:1	SHEET 1 OF 1
		REV: C1	