

THIS DRAWING IS UNPUBLISHED.

RELEASED FOR PUBLICATION

-. - .

© COPYRIGHT - By -

ALL RIGHTS RESERVED.

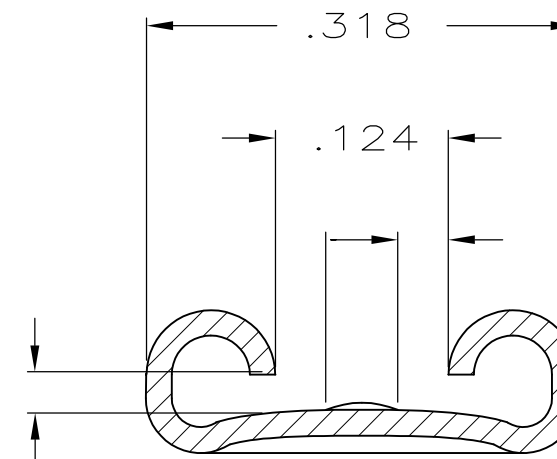
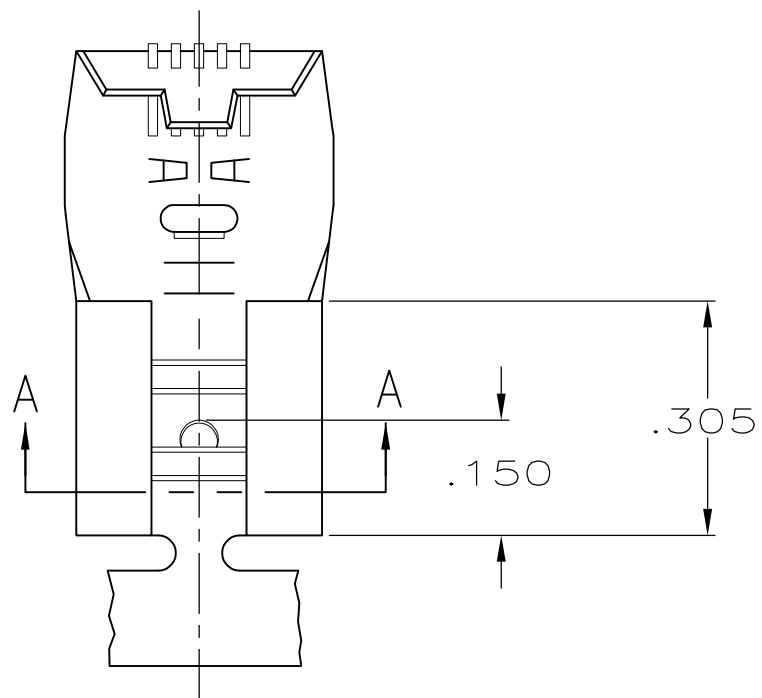
LOC  
AF

DIST  
50

REVISIONS

P	LTR	DESCRIPTION	DATE	DWN	APVD
	J	REVISED PER ECR-12-013459	28NOV2012	KH	PD

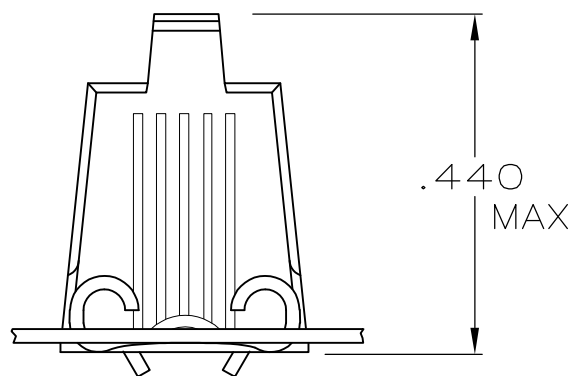
1 CONTINUOUS STRIP ON REELS.



.055  
.050  
DIA DIMPLE

FITS .250 SERIES  
FASTON TAB

SECTION A-A



12-10	.032 ±.001	TIN	BRASS	62022-2
12-10	.032 ±.001	SILVER	.018 PHOS. BRONZE	62022-1
WIRE SIZE	TAB THK	FINISH	MATERIAL	PART NO

THIS DRAWING IS A CONTROLLED DOCUMENT.

DWN JR RUTH 2/3/86

CHK M FEHER 2/6/86

APVD C MEYERS 2/7/86

PRODUCT SPEC

APPLICATION SPEC

WEIGHT -

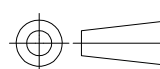
**STE** TE Connectivity

NAME  
.250 SERIES FLAG  
FASTON RECEPTACLE

SIZE	CAGE CODE	DRAWING NO	RESTRICTED TO
A3	00779	C-62022	-

DIMENSIONS:  
INCHES

TOLERANCES UNLESS  
OTHERWISE SPECIFIED:



0 PLC	± -
1 PLC	± -
2 PLC	± -
3 PLC	± .015
4 PLC	± -
ANGLES	± -

MATERIAL  
SEE TABLE

FINISH  
SEE TABLE

CUSTOMER DRAWING

SCALE NTS

SHEET 1 OF 1

REV J