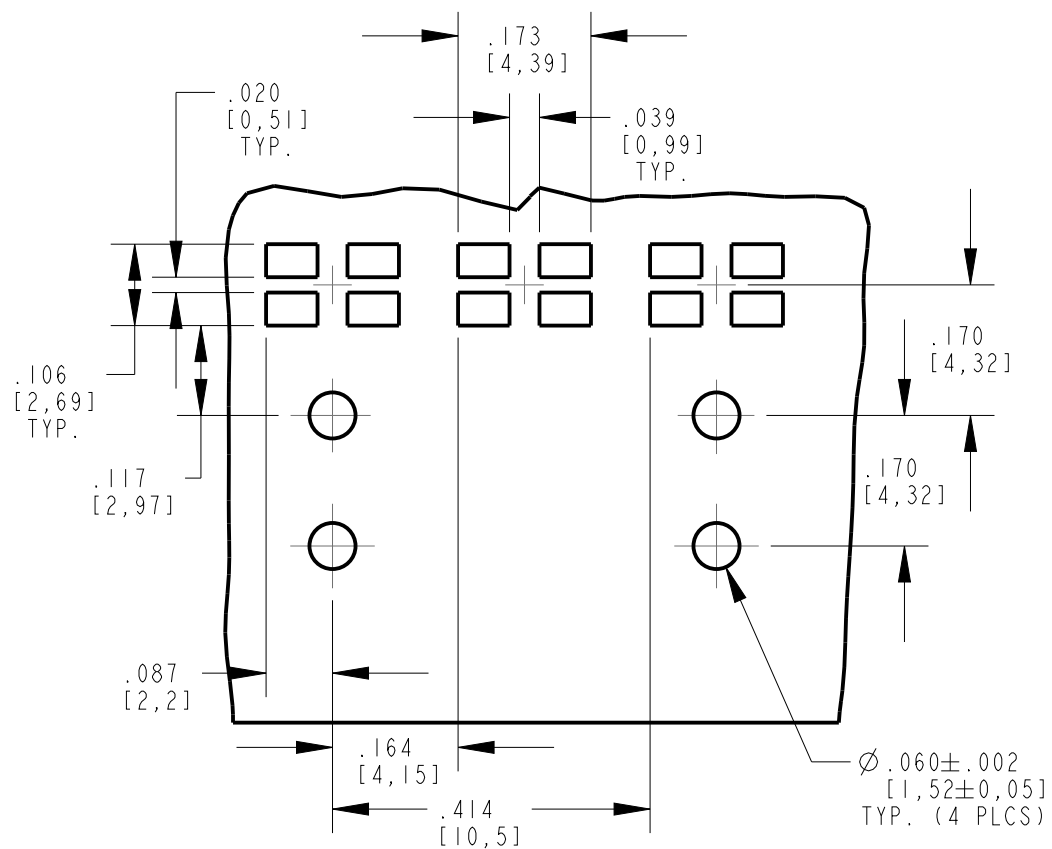
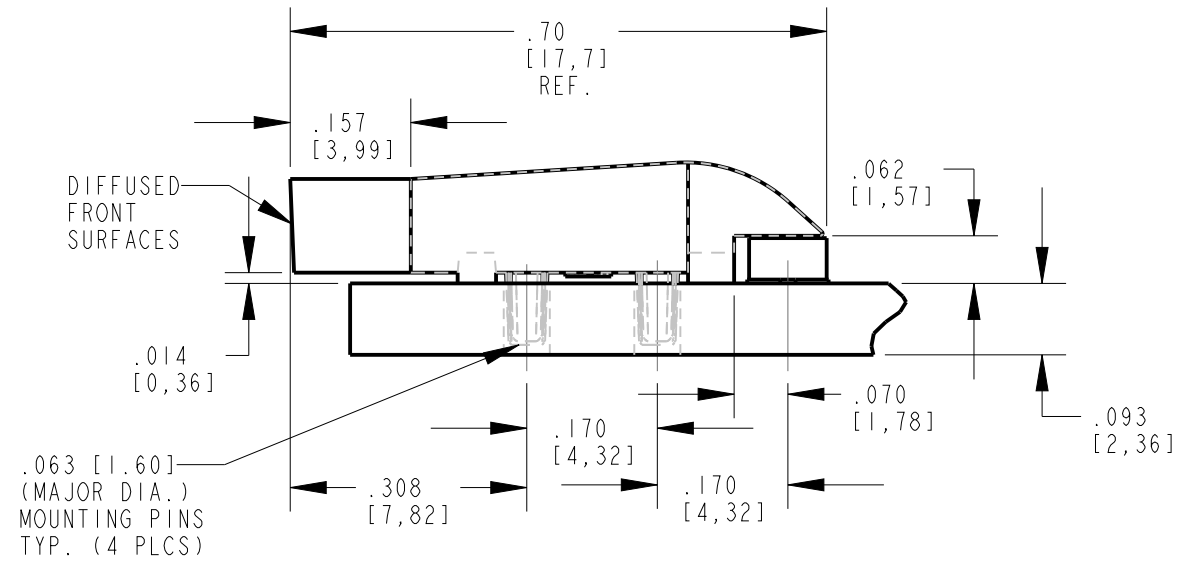
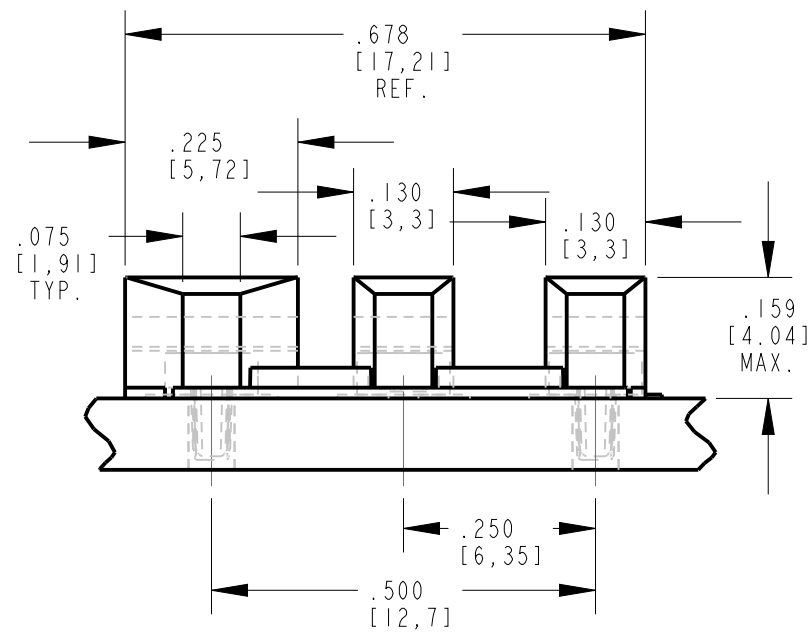
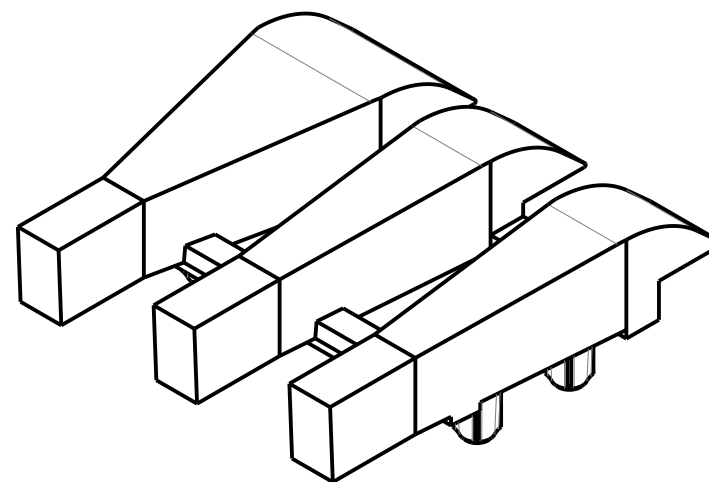


REV	ECN NO	REVISIONS	DRN	CKD	APP	DATE
A		NEW RELEASE	VP	JTD	NO	1-19-16
B		REMOVED NOTE 5 WAS CUSTOMER P/N	VP	JTD	NO	1-28-16




SOLDER PAD/HOLES LAYOUT



NOTES:

1. COMPONENT TO BE MOLDED IN A CLEAR TRANSMISSIVE POLYCARBONATE.
2. COMPONENT TO BE PRESSED INTO A .093" THICK P.C. BOARD.
3. LIGHTSOURCE: SINGLE OR BI-COLOR SMT LED (DIALIGHT SERIES PART NUMBER: 597-XXXX-507).
4. DIALIGHT LIGHTPIPE PART NUMBER: 515-1138F.

THIS DRAWING AND THE CONTENTS HEREIN ARE CONFIDENTIAL AND THE SOLE PROPERTY OF DIALIGHT. REPRODUCTION OF THIS DRAWING OR CONSTRUCTION OF ANY PARTS WITHIN THIS DRAWING ARE FORBIDDEN WITHOUT THE WRITTEN CONSENT OF DIALIGHT.		
SCALE: 4.000 ALL DIM'S IN: INCHES (MM)	DRAWING NUMBER C-18245	REV B
TOLERANCES: UNLESS OTHERWISE SPECIFIED FRACTIONS: ±1/64 DECIMALS (.XX): ±.01 DECIMALS (.XXX): ±.005 DECIMALS (.XXXX): ±.0005 ANGLES: ±1°	TITLE 3-ELEMENT LIGHTPIPE	
FINISH:	MATERIAL	
FSCM 83330	 1501 ROUTE 34 SOUTH FARMINGDALE, NJ 07727	
SHEET 1 OF 1		FAMILY TABLE: